

ALL TUBE MULLIONS TO BE ALLOY 6063-T6.

**MULLIONS CONTAINING TYPICAL GLAZING PRODUCTS
HORIZONTAL OR VERTICAL**

SEE WINDOW OR DOOR APPROVAL FOR FASTENERS SIZES AND SPACING

**RECTANGULAR ALUMINUM TUBE MULLIONS
USING MULLION PROPERTIES ONLY**

NOTES:

THIS PRODUCT HAS BEEN DESIGNED AND TESTED TO COMPLY WITH THE REQUIREMENTS OF THE 2017 (6TH EDITION)/2020 (7TH EDITION) FLORIDA BUILDING CODE INCLUDING HIGH VELOCITY HURRICANE ZONE (HVHZ).

ALL GLAZING PRODUCTS USED WITH THESE MULLIONS MUST MEET THE APPLICABLE BUILDING CODE REQUIREMENTS I.E: WIND LOAD, WATER INFILTRATION, FORCED ENTRY RESISTANCE, SAFEGUARDS ETC.

1BY OR 2BY WOOD BUCKS & BUCK FASTENERS BY OTHERS, MUST BE DESIGNED AND INSTALLED ADEQUATELY TO TRANSFER APPLIED PRODUCT LOADS TO THE BUILDING STRUCTURE.

ANCHORS SHALL BE CORROSION RESISTANT, SPACED AS SHOWN ON DETAILS AND INSTALLED PER MANUF'S INSTRUCTIONS. SPECIFIED EMBEDMENT TO BASE MATERIAL SHALL BE BEYOND WALL DRESSING OR STUCCO.

A LOAD DURATION INCREASE IS USED IN DESIGN OF ANCHORS INTO WOOD ONLY.

ALL SHIMS TO BE HIGH IMPACT, NON-METALLIC AND NON-COMPRESSIBLE.

MATERIALS INCLUDING BUT NOT LIMITED TO STEEL/METAL SCREWS, THAT COME INTO CONTACT WITH OTHER DISSIMILAR MATERIALS SHALL MEET THE REQUIREMENTS OF THE 2017/2020 FLORIDA BLDG. CODE & ADOPTED STANDARDS.

THIS PRODUCT APPROVAL IS GENERIC AND DOES NOT PROVIDE INFORMATION FOR A SITE SPECIFIC PROJECT, I.E. LIFE SAFETY OF THIS PRODUCT, ADEQUACY OF STRUCTURE RECEIVING THIS PRODUCT AND SEALING AROUND OPENING FOR WATER INFILTRATION RESISTANCE ETC. CONDITIONS NOT SHOWN IN THIS DRAWING ARE TO BE ANALYZED SEPARATELY, AND TO BE REVIEWED BY BUILDING OFFICIAL.

DESIGN LOADS SHOWN ARE BASED ON 'ALLOWABLE STRESS DESIGN (ASD)'.

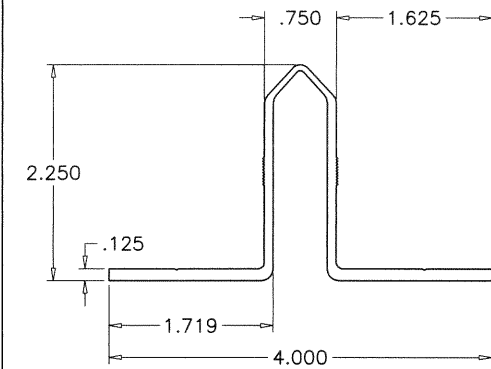
MANUFACTURER'S LABEL SHALL BE LOCATED ON A READILY VISIBLE LOCATION IN ACCORDANCE WITH SECTION 1709.9.3 OF FLORIDA BUILDING CODE. LABELING TO COMPLY WITH SECTION 1709.9.2.

MULLION SYSTEM IS RATED FOR LARGE MISSILE IMPACT. AND CAN BE USED WITH ALL F.B.C. APPROVED IMPACT AND NON-IMPACT RESISTANT PRODUCTS.

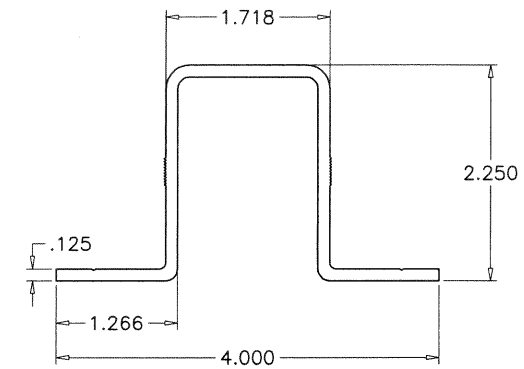
INSTRUCTIONS:

USE CHARTS AND GRAPHS AS FOLLOWS.

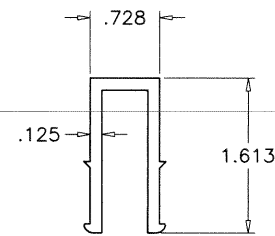
- STEP 1** DETERMINE DESIGN LOAD REQUIRED PER ASCE 7 FOR PARTICULAR OPENING.
- STEP 2** USE APPROVED GLAZING PRODUCTS MEETING ABOVE LOAD REQUIREMENTS.
- STEP 3** USE CONNECTION TO MULLION AS PER PRODUCT APPROVAL.
- STEP 4** USING CHARTS ON SHEET 2 SELECT MULLION SIZE WITH DESIGN RATING MORE THAN DESIGN LOAD SPECIFIED IN STEP 1 ABOVE.
- STEP 5** USING ANCHOR TYPES ON SHEET 4 THRU 6 AND ANCHOR CHARTS ON SHEET 3, SELECT ANCHOR TYPE WITH DESIGN RATING MORE THAN THE DESIGN LOADS SPECIFIED IN STEP 1 ABOVE.



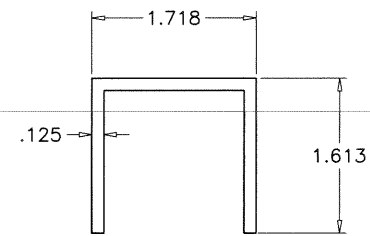
MULLION CLIP (YE-65) (6063-T6)
(ALT. TO ANGLES)
CLIP LENGTHS MUST BE CUT TO FIT SNUG INTO TUBE MULLIONS.



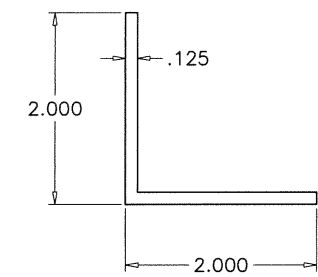
MULLION CLIP (6063-T5)
(ALT. TO ANGLES)
CLIP LENGTHS MUST BE CUT TO FIT SNUG INTO TUBE MULLIONS.



MULLION CLIP (6063-T5)
CLIP LENGTHS MUST BE CUT TO FIT SNUG INTO TUBE MULLIONS.
(NO SIDE FASTENERS REQD.)



MULLION CLIP (6063-T5)
CLIP LENGTHS MUST BE CUT TO FIT SNUG INTO TUBE MULLIONS.
(NO SIDE FASTENERS REQD.)

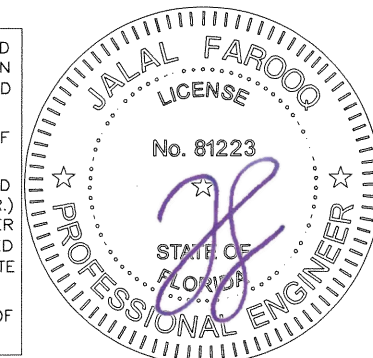


ANGLE CLIP (6063-T5)

Sealed: 10/5/2020

FL #21844

A- CONTRACTOR TO BE RESPONSIBLE FOR THE SELECTION, PURCHASE AND INSTALLATION OF THIS PRODUCT BASED ON THIS PRODUCT EVALUATION PROVIDED HE/SHE DOES NOT DEVIATE FROM THE CONDITIONS DETAILED ON THIS DOCUMENT.
B- THIS PRODUCT EVALUATION DOCUMENT WILL BE CONSIDERED INVALID IF ALTERED BY ANY MEANS.
C- SITE SPECIFIC PROJECTS SHALL BE PREPARED BY A FLORIDA REGISTERED ENGINEER OR ARCHITECT WHICH WILL BECOME THE ENGINEER OF RECORD (E.O.R.) FOR THE PROJECT AND WHO WILL BE RESPONSIBLE FOR THE PROPER USE OF THE P.E.D. ENGINEER OF RECORD, ACTING AS A DELEGATED ENGINEER TO THE P.E.D. ENGINEER SHALL SUBMIT TO THIS LATTER THE SITE SPECIFIC DRAWINGS FOR REVIEW.
D- THIS P.E.D. SHALL BEAR THE DATE AND ORIGINAL SEAL AND SIGNATURE OF THE PROFESSIONAL ENGINEER OF RECORD THAT PREPARED IT.



af c
AL-FAROOQ CORPORATION
ENGINEERS & PRODUCT DEVELOPMENT
9360 SUNSET DRIVE, SUITE 220 (C.A.N. 3538)
MIAMI, FLORIDA 33173
TEL. (305) 264-8100 FAX. (305) 262-6978

ALUMINUM TUBE MULLIONS
Assura Windows & Doors, LLC.
1543 N. Powerline Road
Pompano Beach, Fl. 33069
Tel. (305) 887-2646 Fax. (-)

no.	date	description	by
A	02.08.17	MANUF. NAME REV.	
B	01.12.18	UPDATED TO 2017 FBC	
C	09.23.20	UPDATED TO 2020 FBC	

date: 08-31-15
scale: 1/2" = 1"
dr. by: TARIQ
chk. by:

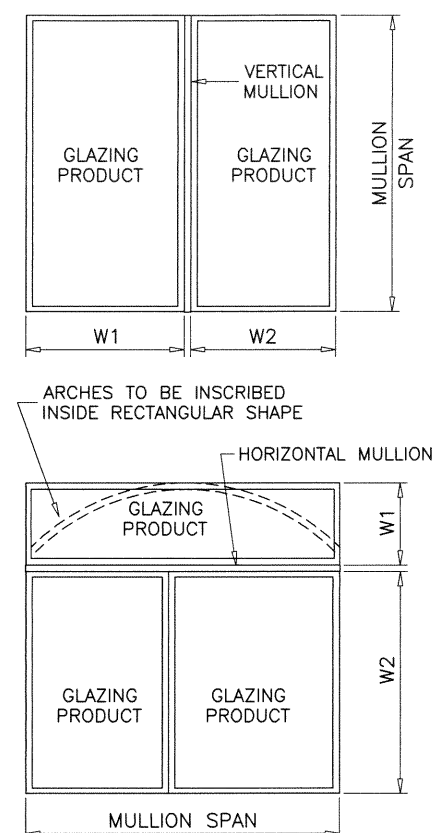
drawing no.
M15-07
sheet 1 of 6

MULLION M15-07

DESIGN LOAD CAPACITY - PSF (TUBE MULLIONS)						
WINDOW DIMS.		1 X 2 STD.	1 X 3 STD.	1 X 4 STD.	2 X 4 STD.	2 X 6 STD.
WIDTH (W)	MULL SPAN					
19-1/8"	38-3/8"	140.0	140.0	140.0	140.0	140.0
26-1/2"		134.9	140.0	140.0	140.0	140.0
30"		119.1	140.0	140.0	140.0	140.0
37"		96.6	140.0	140.0	140.0	140.0
42"		85.1	140.0	140.0	140.0	140.0
48"		74.5	140.0	140.0	140.0	140.0
53-1/8"		67.3	127.0	140.0	140.0	140.0
60"		59.6	112.5	140.0	140.0	140.0
66"		54.1	102.2	140.0	140.0	140.0
72"		49.6	93.7	140.0	140.0	140.0
74"	48.3	91.2	140.0	140.0	140.0	
19-1/8"	50-5/8"	83.0	140.0	140.0	140.0	140.0
26-1/2"		59.9	140.0	140.0	140.0	140.0
30"		52.9	127.1	140.0	140.0	140.0
37"		42.9	103.0	140.0	140.0	140.0
42"		37.8	90.8	140.0	140.0	140.0
48"		33.1	79.4	126.5	140.0	140.0
53-1/8"		29.9	71.8	114.3	140.0	140.0
60"		26.5	63.5	101.2	140.0	140.0
66"		24.1	57.8	92.0	140.0	140.0
72"		22.1	53.0	84.3	130.5	140.0
74"	21.5	51.5	82.0	127.0	140.0	
19-1/8"	63"	43.1	123.3	140.0	140.0	140.0
26-1/2"		31.1	89.0	140.0	140.0	140.0
30"		27.5	78.6	128.5	140.0	140.0
37"		22.3	63.7	104.2	140.0	140.0
42"		-	56.1	91.8	140.0	140.0
48"		-	49.1	80.3	125.3	140.0
53-1/8"		-	44.4	72.6	113.2	140.0
60"		-	39.3	64.3	100.2	140.0
66"		-	35.7	58.4	91.1	140.0
72"		-	32.7	53.5	83.5	140.0
74"	-	31.9	52.1	81.3	140.0	
19-1/8"	74-1/4"	26.3	75.3	140.0	140.0	140.0
26-1/2"		-	54.3	103.3	140.0	140.0
30"		-	48.0	91.2	140.0	140.0
37"		-	38.9	74.0	116.1	140.0
42"		-	34.3	65.2	102.3	140.0
48"		-	30.0	57.0	89.5	140.0
53-1/8"		-	27.1	51.5	80.9	140.0
60"		-	24.0	45.6	71.6	131.6
66"		-	21.8	41.5	65.1	119.6
72"		-	-	38.0	59.7	109.7
74"	-	-	37.0	58.1	106.7	

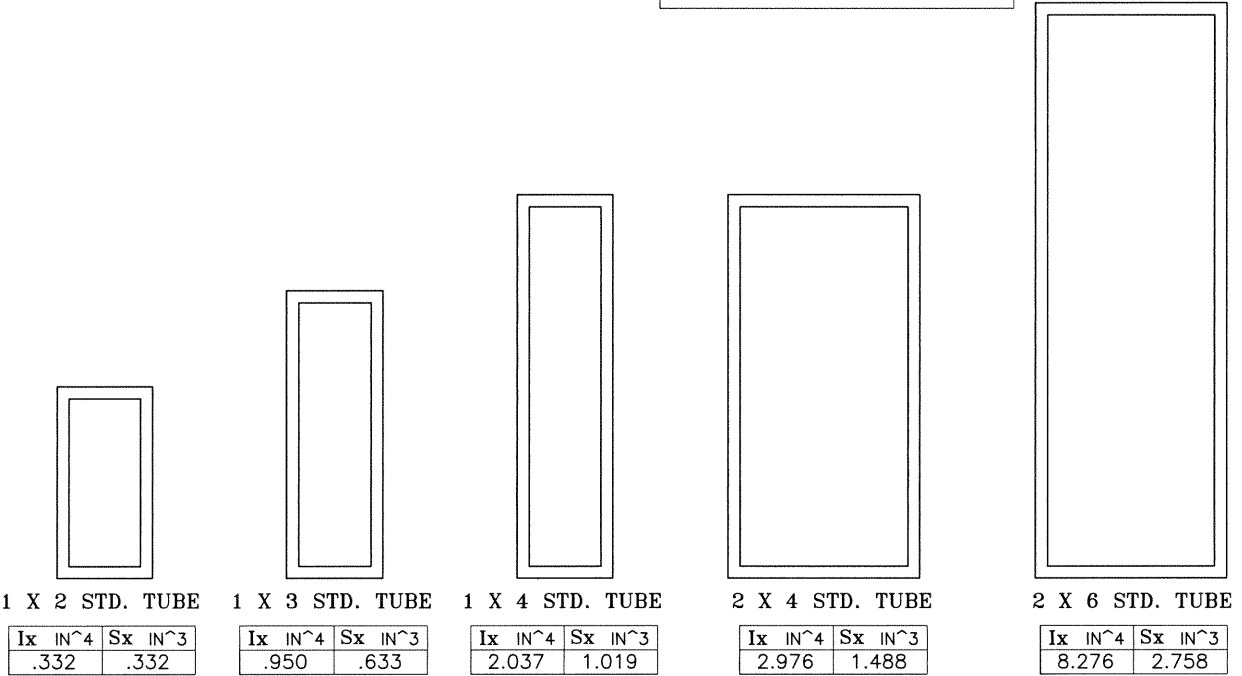
DESIGN LOAD CAPACITY - PSF (TUBE MULLIONS)						
WINDOW DIMS.		1 X 2 STD.	1 X 3 STD.	1 X 4 STD.	2 X 4 STD.	2 X 6 STD.
WIDTH (W)	MULL SPAN					
19-1/8"	84"	-	52.0	110.5	140.0	140.0
26-1/2"		-	37.5	79.8	117.6	140.0
30"		-	33.2	70.5	103.9	140.0
37"		-	26.9	57.1	84.2	140.0
42"		-	23.7	50.3	74.2	140.0
48"		-	20.7	44.0	64.9	127.6
53-1/8"		-	-	39.8	58.7	115.3
60"		-	-	35.2	51.9	102.1
66"		-	-	32.0	47.2	92.8
72"		-	-	29.4	43.3	85.1
74"	-	-	28.6	42.1	82.8	
19-1/8"	96"	-	34.8	74.7	109.1	140.0
26-1/2"		-	25.1	53.9	78.8	140.0
30"		-	22.2	47.6	69.6	140.0
37"		-	-	38.6	56.4	125.8
42"		-	-	34.0	49.7	110.8
48"		-	-	29.8	43.5	97.0
53-1/8"		-	-	26.9	39.3	87.6
60"		-	-	23.8	34.8	77.6
66"		-	-	21.6	31.6	70.5
72"		-	-	20.0	29.0	64.6
74"	-	-	20.0	28.2	62.9	
19-1/8"	108"	-	24.5	52.5	76.7	140.0
26-1/2"		-	-	37.9	55.3	137.7
30"		-	-	33.4	48.9	121.7
37"		-	-	27.1	39.6	98.7
42"		-	-	23.9	34.9	86.9
48"		-	-	20.9	30.5	76.0
53-1/8"		-	-	-	27.6	68.7
60"		-	-	-	24.4	60.8
66"		-	-	-	22.2	55.3
72"		-	-	-	20.4	50.7
74"	-	-	-	-	49.3	
19-1/8"	120"	-	-	38.2	55.9	140.0
26-1/2"		-	-	27.6	40.3	110.8
30"		-	-	24.4	35.6	97.9
37"		-	-	-	28.9	79.3
42"		-	-	-	25.4	69.9
48"		-	-	-	22.3	61.2
53-1/8"		-	-	-	-	55.3
60"		-	-	-	-	48.9
66"		-	-	-	-	44.5
72"		-	-	-	-	40.8
74"	-	-	-	-	39.7	

DESIGN LOAD CAPACITY - PSF (TUBE MULLIONS)						
WINDOW DIMS.		1 X 2 STD.	1 X 3 STD.	1 X 4 STD.	2 X 4 STD.	2 X 6 STD.
WIDTH (W)	MULL SPAN					
19-1/8"	132"	-	-	28.7	42.0	116.8
26-1/2"		-	-	20.7	30.3	84.3
30"		-	-	-	26.8	74.4
37"		-	-	-	21.7	60.3
42"		-	-	-	-	53.2
48"		-	-	-	-	46.5
53-1/8"		-	-	-	-	42.0
60"		-	-	-	-	37.2
66"		-	-	-	-	33.8
72"		-	-	-	-	31.0
74"	-	-	-	-	30.2	
19-1/8"	144"	-	-	22.1	32.3	89.9
26-1/2"		-	-	-	23.3	64.9
30"		-	-	-	20.6	57.3
37"		-	-	-	-	46.5
42"		-	-	-	-	41.0
48"		-	-	-	-	35.8
53-1/8"		-	-	-	-	32.4
60"		-	-	-	-	28.7
66"		-	-	-	-	26.1
72"		-	-	-	-	23.9
74"	-	-	-	-	23.2	



TYPICAL MULLION ARRANGEMENTS

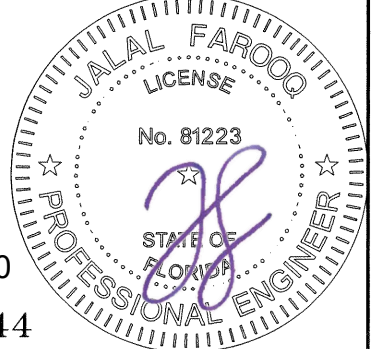
$$WIDTH (W) = \frac{W1 + W2}{2}$$



NOTE:
MULLIONS RATED IN THESE CHARTS MAY BE ORIENTED VERTICALLY OR HORIZONTALLY.
(INTERPOLATION BETWEEN WIDTHS ALLOWED)

MULLIONS

Sealed: 10/5/2020
FL #21844



af c
AL-FAROOQ CORPORATION
ENGINEERS & PRODUCT DEVELOPMENT
9360 SUNSET DRIVE, SUITE 220
MIAMI, FLORIDA 33173 (C.A.N. 3538)
TEL. (305) 264-8100 FAX. (305) 262-6978

ALUMINUM TUBE MULLIONS
Assura Windows & Doors, LLC.
1543 N. Powerline Road
Pompano Beach, FL 33069
Tel. (305) 887-2646 Fax. (-)

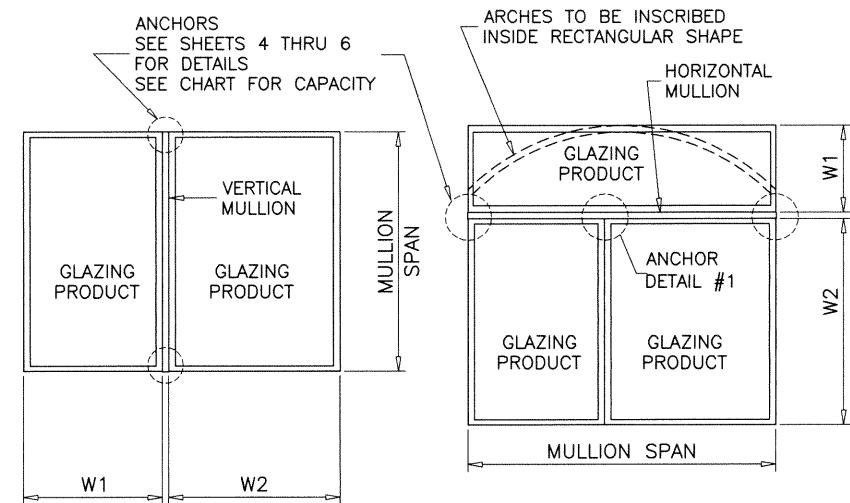
revisions:	no.	date	by	description
date:	08-31-15	scale:	-	dr. by: TARIQ
				chk. by:
drawing no.	M15-07			
sheet	2 of 6			

MULLION M15-07

DESIGN LOAD CAPACITY - PSF									
WINDOW DIMS.		ANCHORS TYPE							
WIDTH (W)	MULL SPAN	A2	A4	AA2	AA4	AAA2	AAA4	B2	B4
19 1/8"	38 3/8"	140.0	140.0	97.3	140.0	140.0	140.0	140.0	140.0
26 1/2"		114.4	140.0	70.2	140.0	140.0	140.0	140.0	140.0
30"		101.1	140.0	62.0	124.1	140.0	140.0	140.0	140.0
37"		81.9	140.0	50.3	100.6	129.0	140.0	140.0	140.0
42"		72.2	140.0	44.3	88.6	113.6	140.0	139.7	140.0
48"		63.2	126.3	38.8	77.6	99.4	140.0	122.3	140.0
54"		57.1	114.1	35.0	70.1	89.8	140.0	110.5	140.0
60"		50.5	101.1	31.0	62.0	79.6	140.0	97.8	140.0
66"		45.9	91.9	28.2	56.4	72.3	140.0	88.9	140.0
72"		42.1	84.2	25.9	51.7	66.3	132.6	81.5	140.0
74"		41.0	81.9	25.2	50.3	64.5	129.0	79.3	140.0
19 1/8"		50 5/8"	120.2	140.0	73.8	140.0	140.0	140.0	140.0
26 1/2"	86.7		140.0	53.2	106.5	136.5	140.0	140.0	140.0
30"	76.6		140.0	47.0	94.1	120.6	140.0	140.0	140.0
37"	62.1		124.2	38.1	76.3	97.8	140.0	120.2	140.0
42"	54.7		109.4	33.6	67.2	86.1	140.0	105.9	140.0
48"	47.9		95.8	29.4	58.8	75.4	140.0	92.7	140.0
54"	43.3		86.5	26.6	53.1	68.1	136.2	83.7	140.0
60"	38.3		76.6	23.5	47.0	60.3	120.6	74.1	140.0
66"	34.8		69.6	21.4	42.8	54.8	109.6	67.4	134.8
72"	31.9		63.8	-	39.2	50.3	100.5	61.8	123.6
74"	31.1		62.1	-	38.1	48.9	97.8	60.1	120.2
19 1/8"	63"		96.6	140.0	59.3	118.6	140.0	140.0	140.0
26 1/2"		69.7	139.4	42.8	85.6	109.7	140.0	134.9	140.0
30"		61.6	123.1	37.8	75.6	96.9	140.0	119.2	140.0
37"		49.9	99.8	30.6	61.3	78.6	140.0	96.6	140.0
42"		44.0	87.9	27.0	54.0	69.2	138.4	85.1	140.0
48"		38.5	77.0	23.6	47.2	60.6	121.1	74.5	140.0
54"		34.8	69.5	21.3	42.7	54.7	109.5	67.3	134.6
60"		30.8	61.6	-	37.8	48.5	96.9	59.6	119.2
66"		28.0	56.0	-	34.4	44.1	88.1	54.2	108.3
72"		25.7	51.3	-	31.5	40.4	80.8	49.7	99.3
74"		25.0	49.9	-	30.6	39.3	78.6	48.3	96.6
19 1/8"		74 1/4"	81.9	140.0	50.3	100.6	129.0	140.0	140.0
26 1/2"	59.1		118.3	36.3	72.6	93.1	140.0	114.5	140.0
30"	52.2		104.5	32.1	64.1	82.2	140.0	101.1	140.0
37"	42.4		84.7	26.0	52.0	66.7	133.3	82.0	140.0
42"	37.3		74.6	22.9	45.8	58.7	117.5	72.2	140.0
48"	32.6		65.3	20.0	40.1	51.4	102.8	63.2	126.4
54"	29.5		59.0	-	36.2	46.4	92.9	57.1	114.2
60"	26.1		52.2	-	32.1	41.1	82.2	50.6	101.1
66"	23.7		47.5	-	29.1	37.4	74.8	46.0	91.9
72"	21.8		43.5	-	26.7	34.3	68.5	42.1	84.3
74"	21.2		42.4	-	26.0	33.3	66.7	41.0	82.0

DESIGN LOAD CAPACITY - PSF									
WINDOW DIMS.		ANCHORS TYPE							
WIDTH (W)	MULL SPAN	A2	A4	AA2	AA4	AAA2	AAA4	B2	B4
19 1/8"	84"	72.4	140.0	44.5	88.9	114.0	140.0	140.0	140.0
26 1/2"		52.3	104.5	32.1	64.2	82.3	140.0	101.2	140.0
30"		46.2	92.3	28.3	56.7	72.7	140.0	89.4	140.0
37"		37.4	74.9	23.0	46.0	58.9	117.9	72.5	140.0
42"		33.0	66.0	20.2	40.5	51.9	103.8	63.8	127.7
48"		28.9	57.7	-	35.4	45.4	90.9	55.9	111.7
54"		26.1	52.1	-	32.0	41.0	82.1	50.5	100.9
60"		23.1	46.2	-	28.3	36.3	72.7	44.7	89.4
66"		21.0	42.0	-	25.8	33.0	66.1	40.6	81.2
72"		-	38.5	-	23.6	30.3	60.6	37.2	74.5
74"		-	37.4	-	23.0	29.5	58.9	36.2	72.5
19 1/8"		96"	63.4	126.7	38.9	77.8	99.8	140.0	122.7
26 1/2"	45.7		91.5	28.1	56.2	72.0	140.0	88.5	140.0
30"	40.4		80.8	24.8	49.6	63.6	127.2	78.2	140.0
37"	32.8		65.5	20.1	40.2	51.6	103.1	63.4	126.8
42"	28.9		57.7	-	35.4	45.4	90.9	55.9	111.7
48"	25.3		50.5	-	31.0	39.8	79.5	48.9	97.8
54"	22.8		45.6	-	28.0	35.9	71.8	44.2	88.3
60"	20.2		40.4	-	24.8	31.8	63.6	39.1	78.2
66"	-		36.7	-	22.5	28.9	57.8	35.5	71.1
72"	-		33.7	-	20.7	26.5	53.0	32.6	65.2
74"	-		32.8	-	20.1	25.8	51.6	31.7	63.4
19 1/8"	108"		56.3	112.7	34.6	69.2	88.7	140.0	109.0
26 1/2"		40.7	81.3	25.0	49.9	64.0	128.0	78.7	140.0
30"		35.9	71.8	22.0	44.1	56.5	113.1	69.5	139.0
37"		29.1	58.2	-	35.7	45.8	91.7	56.4	112.7
42"		25.7	51.3	-	31.5	40.4	80.8	49.7	99.3
48"		22.4	44.9	-	27.6	35.3	70.7	43.4	86.9
54"		20.3	40.6	-	24.9	31.9	63.8	39.3	78.5
60"		-	35.9	-	22.0	28.3	56.5	34.8	69.5
66"		-	32.6	-	20.0	25.7	51.4	31.6	63.2
72"		-	29.9	-	-	23.6	47.1	29.0	57.9
74"		-	29.1	-	-	22.9	45.8	28.2	56.4
19 1/8"		120"	50.7	101.4	31.1	62.2	79.8	140.0	98.1
26 1/2"	36.6		73.2	22.5	44.9	57.6	115.2	70.8	140.0
30"	32.3		64.6	-	39.7	50.9	101.8	62.6	125.1
37"	26.2		52.4	-	32.2	41.3	82.5	50.7	101.4
42"	23.1		46.2	-	28.3	36.3	72.7	44.7	89.4
48"	20.2		40.4	-	24.8	31.8	63.6	39.1	78.2
54"	-		36.5	-	22.4	28.7	57.5	35.3	70.7
60"	-		32.3	-	-	25.4	50.9	31.3	62.6
66"	-		29.4	-	-	23.1	46.3	28.4	56.9
72"	-		26.9	-	-	21.2	42.4	26.1	52.1
74"	-		26.2	-	-	20.6	41.3	25.4	50.7

DESIGN LOAD CAPACITY - PSF									
WINDOW DIMS.		ANCHORS TYPE							
WIDTH (W)	MULL SPAN	A2	A4	AA2	AA4	AAA2	AAA4	B2	B4
19 1/8"	132"	46.1	92.2	28.3	56.6	72.6	140.0	89.2	140.0
26 1/2"		33.3	66.5	20.4	40.8	52.4	104.7	64.4	128.8
30"		29.4	58.8	-	36.1	46.3	92.5	56.9	113.7
37"		23.8	47.6	-	29.2	37.5	75.0	46.1	92.2
42"		21.0	42.0	-	25.8	33.0	66.1	40.6	81.2
48"		-	36.7	-	22.5	28.9	57.8	35.5	71.1
54"		-	33.2	-	20.4	26.1	52.2	32.1	64.2
60"		-	29.4	-	-	23.1	46.3	28.4	56.9
66"		-	26.7	-	-	21.0	42.0	25.9	51.7
72"		-	24.5	-	-	-	38.5	23.7	47.4
74"		-	23.8	-	-	-	37.5	23.1	46.1
19 1/8"		144"	42.2	84.5	25.9	51.9	66.5	133.0	81.8
26 1/2"	30.5		61.0	-	37.4	48.0	96.0	59.0	118.0
30"	26.9		53.9	-	33.1	42.4	84.8	52.1	104.3
37"	21.8		43.7	-	26.8	34.4	68.8	42.3	84.5
42"	-		38.5	-	23.6	30.3	60.6	37.2	74.5
48"	-		33.7	-	20.7	26.5	53.0	32.6	65.2
54"	-		30.4	-	-	23.9	47.9	29.4	58.9
60"	-		26.9	-	-	21.2	42.4	26.1	52.1
66"	-		24.5	-	-	-	38.5	23.7	47.4
72"	-		22.4	-	-	-	35.3	21.7	43.4
74"	-		21.8	-	-	-	34.4	21.1	42.3



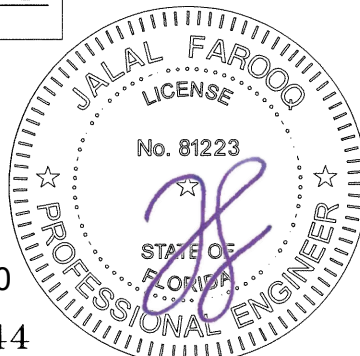
TYPICAL MULLION ARRANGEMENTS

$$WIDTH (W) = \frac{W1 + W2}{2}$$

NOTE:
 ANY ANCHOR CONDITION SHOWN HEREIN MAY COVER LOCATIONS AT HEAD, SILL OR JAMB ENDS.
 FOR ANCHORS DESCRIPTION SEE SHEETS 4 THRU 6.
 (INTERPOLATION BETWEEN WIDTHS OR SPANS ALLOWED)

ANCHORS

Sealed: 10/5/2020
 FL #21844



af c
AL-FAROOQ CORPORATION
 ENGINEERS & PRODUCT DEVELOPMENT
 9360 SUNSET DRIVE, SUITE 220
 MIAMI, FLORIDA 33173 (C.A.N. 3538)
 TEL. (305) 264-8100 FAX. (305) 262-6978

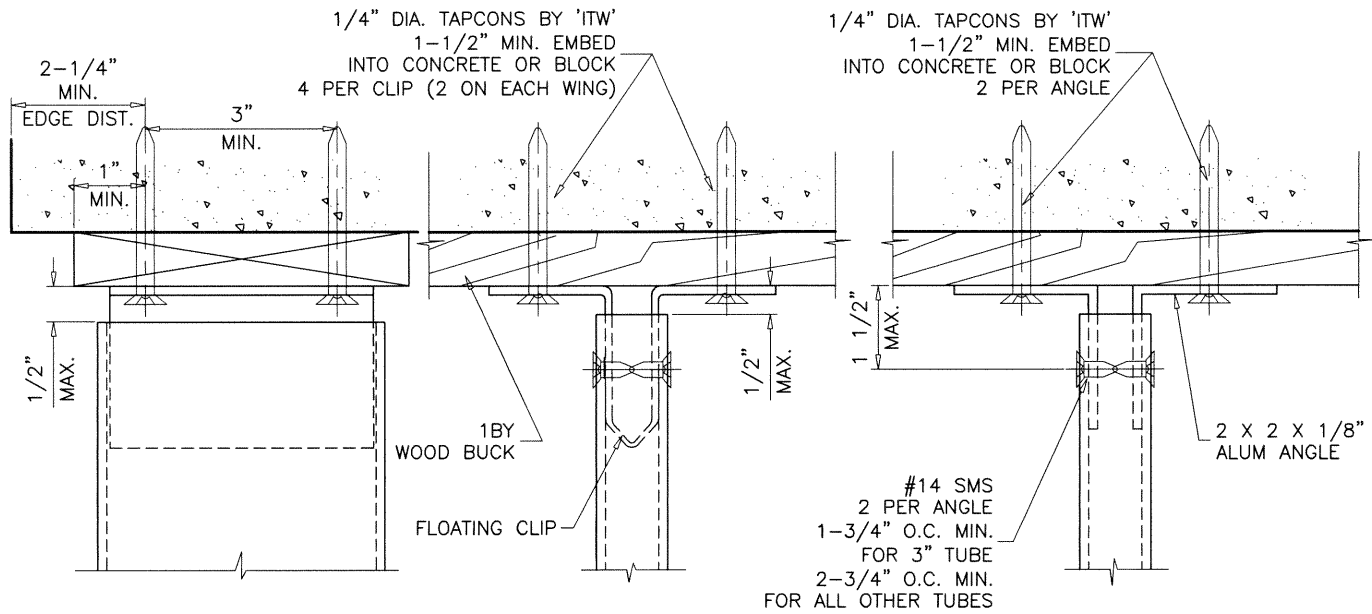
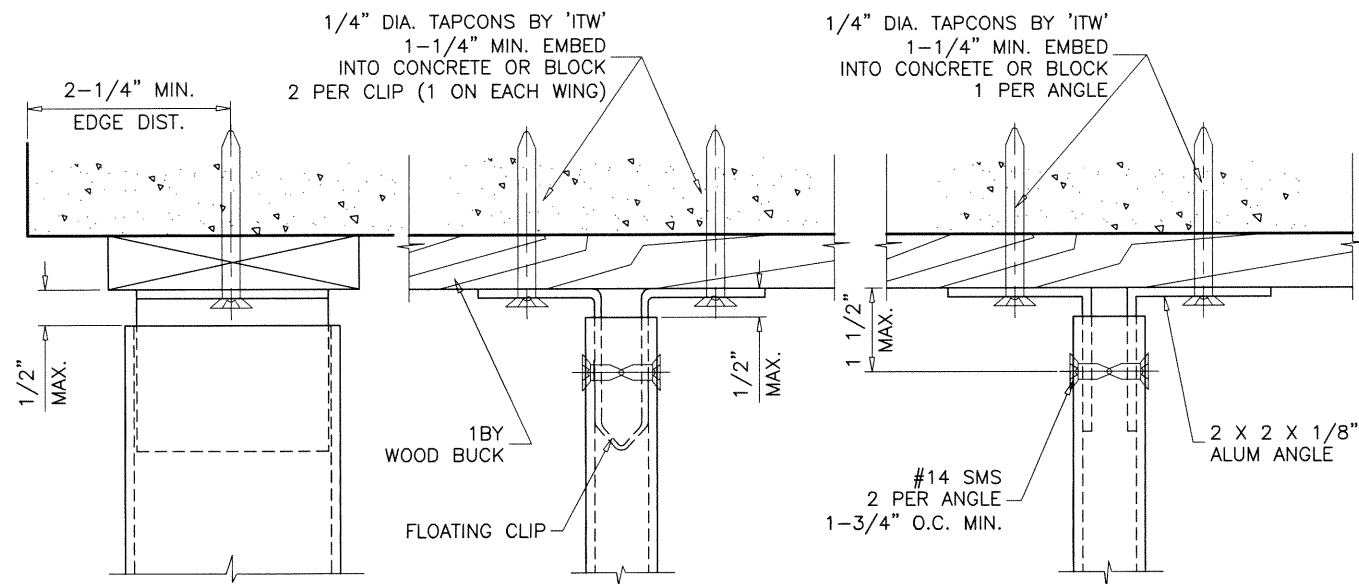
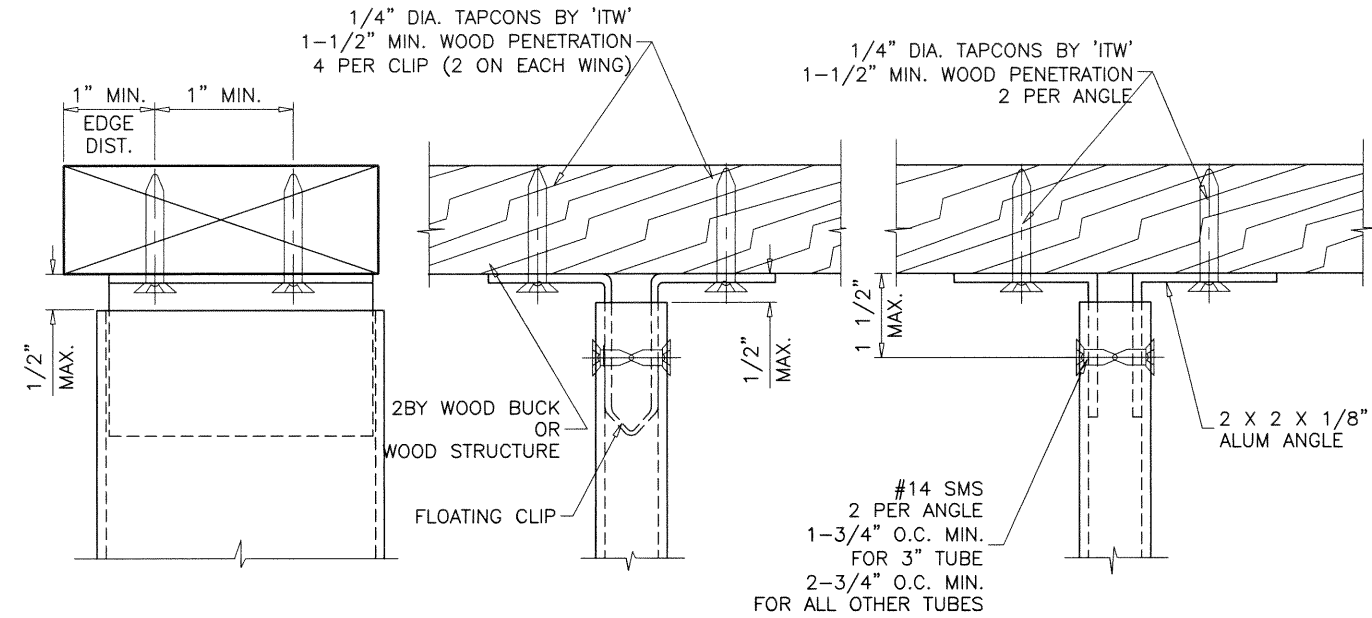
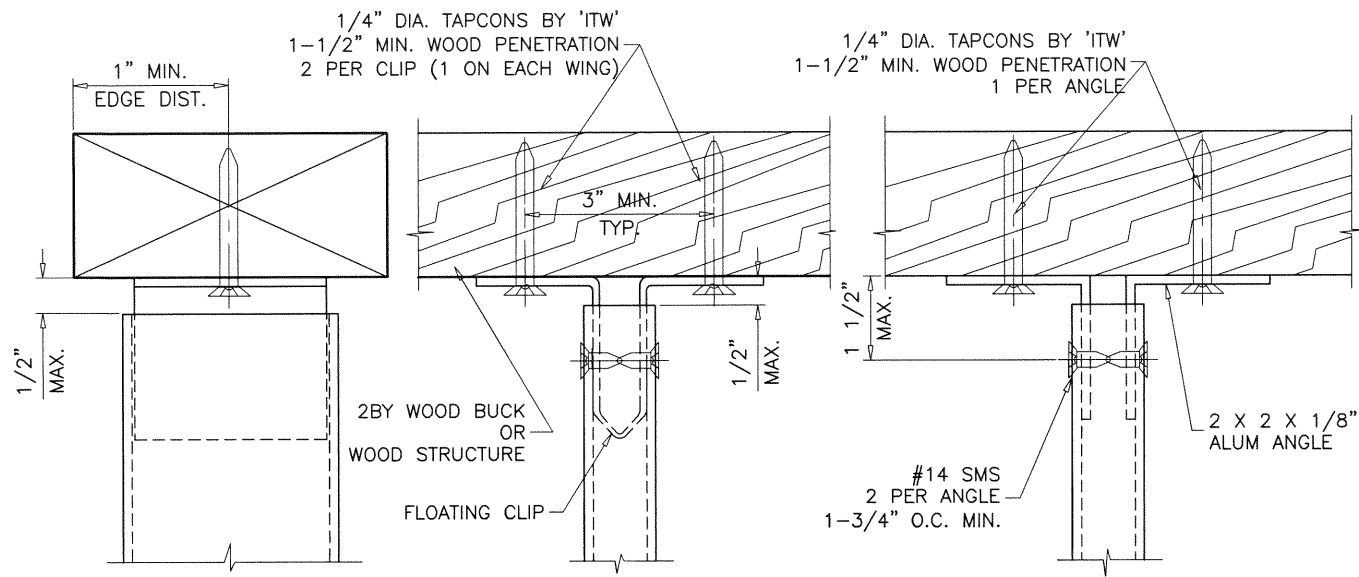
ALUMINUM TUBE MULLIONS

Assura Windows & Doors, LLC.
 1543 N. Powerline Road
 Pompano Beach, FL. 33069
 Tel. (305) 887-2646 Fax. (-)

revisions:	no.	date	description

date: 08-31-15
 scale: -
 dr. by: TARIQ
 chk. by:

drawing no.
M15-07
 sheet 3 of 6

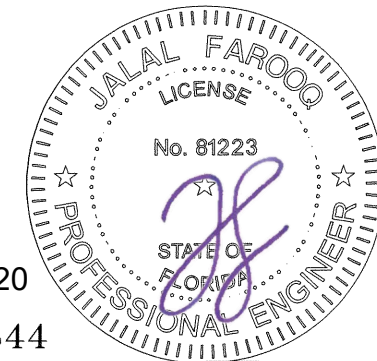


ANCHORS TYPE 'A2'

ANCHORS TYPE 'A4'

ALL CLIPS TO FIT SNUG INTO TUBE MULLIONS.
TAPCONS MAY BE HEX OR FLAT HEAD.

Sealed: 10/5/2020
FL #21844



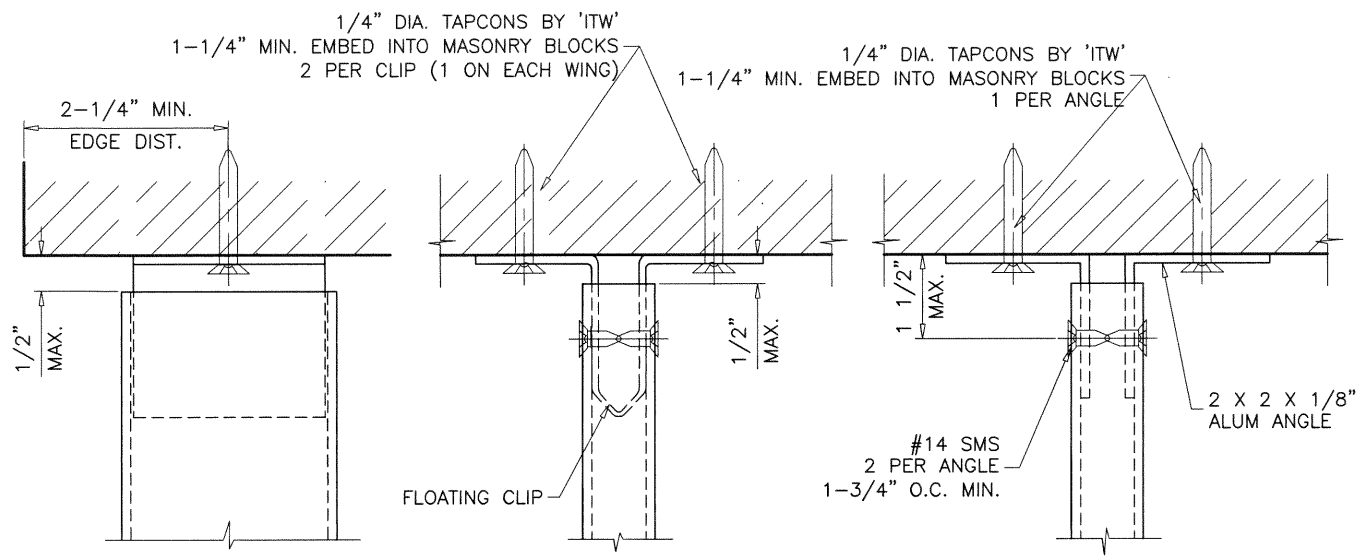
af c
AL-FAROOQ CORPORATION
 ENGINEERS & PRODUCT DEVELOPMENT
 9360 SUNSET DRIVE, SUITE 220 (C.A.N. 3538)
 MIAMI, FLORIDA 33173
 TEL. (305) 264-8100 FAX. (305) 262-6978
 MULLION M15-07

ALUMINUM TUBE MULLIONS
Assura Windows & Doors, LLC.
 1543 N. Powerline Road
 Pompano Beach, Fl. 33069
 Tel. (305) 887-2646 Fax. (-)

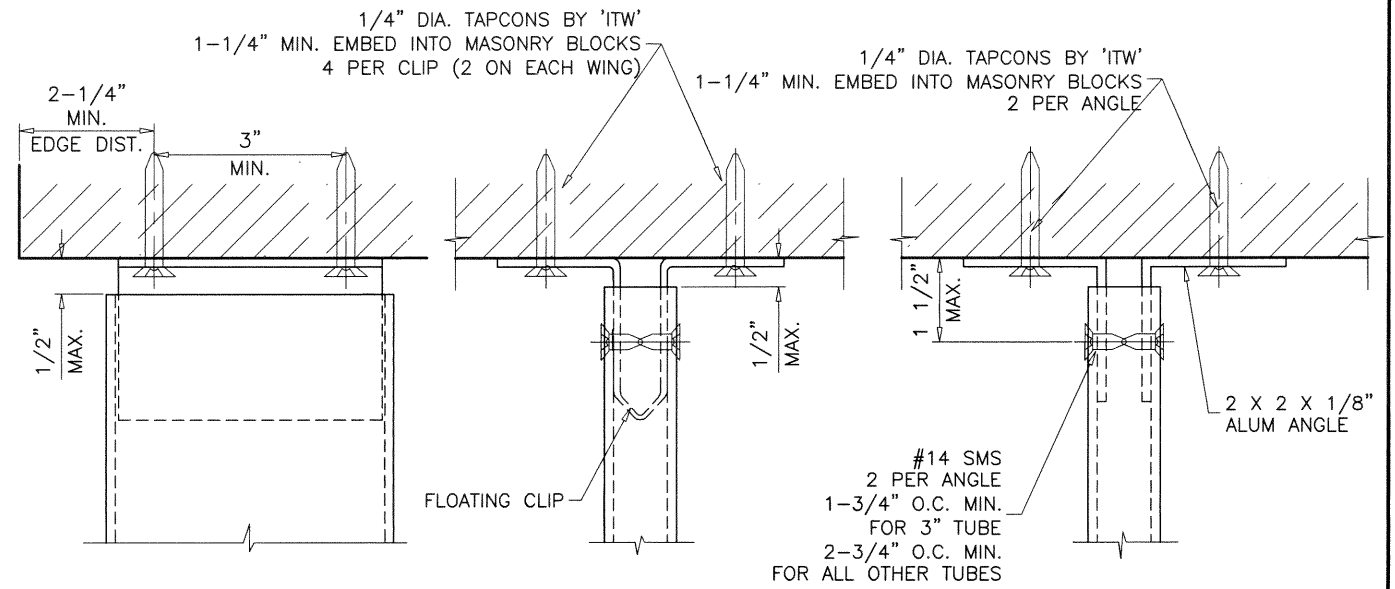
revisions:	no	date	by	description

date: 08-31-15
 scale: 3/8" = 1"
 dr. by: TARIQ
 chk. by:

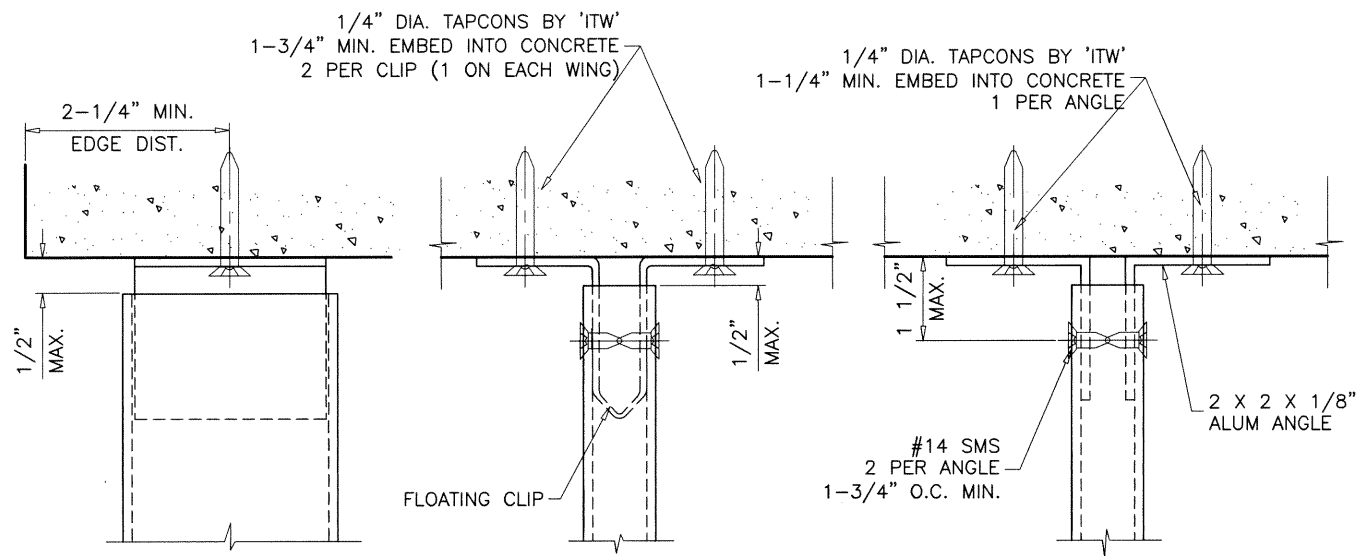
drawing no.
M15-07
 sheet 4 of 6



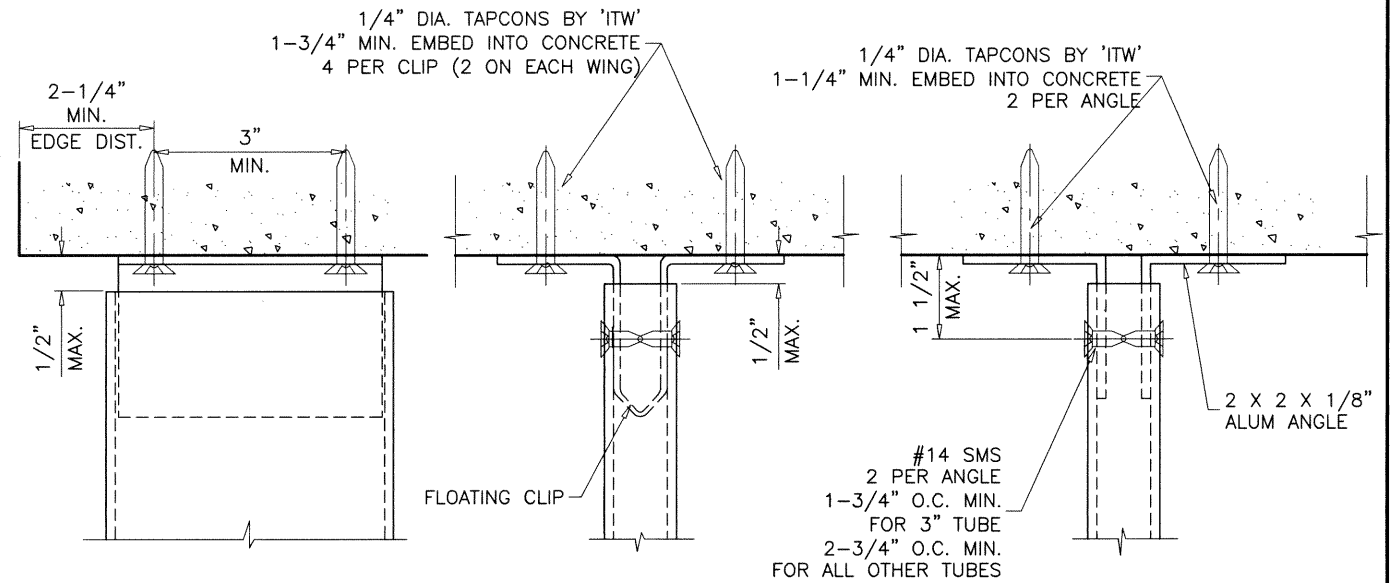
ANCHORS TYPE 'AA2'



ANCHORS TYPE 'AA4'



ANCHORS TYPE 'AAA2'

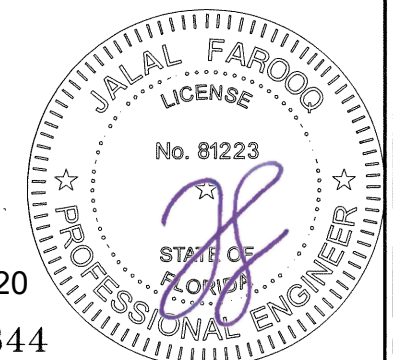


ANCHORS TYPE 'AAA4'

ALL CLIPS TO FIT SNUG INTO TUBE MULLIONS.
TAPCONS MAY BE HEX OR FLAT HEAD.

Sealed: 10/5/2020

FL #21844



af c
AL-FAROOQ CORPORATION
 ENGINEERS & PRODUCT DEVELOPMENT
 9360 SUNSET DRIVE, SUITE 220
 MIAMI, FLORIDA 33173
 TEL. (305) 264-8100 FAX. (305) 262-6978
 (C.A.N. 3538)

ALUMINUM TUBE MULLIONS
Assura Windows & Doors, LLC.
 1543 N. Powerline Road
 Pompano Beach, FL. 33069
 Tel. (305) 887-2646 Fax. (-)

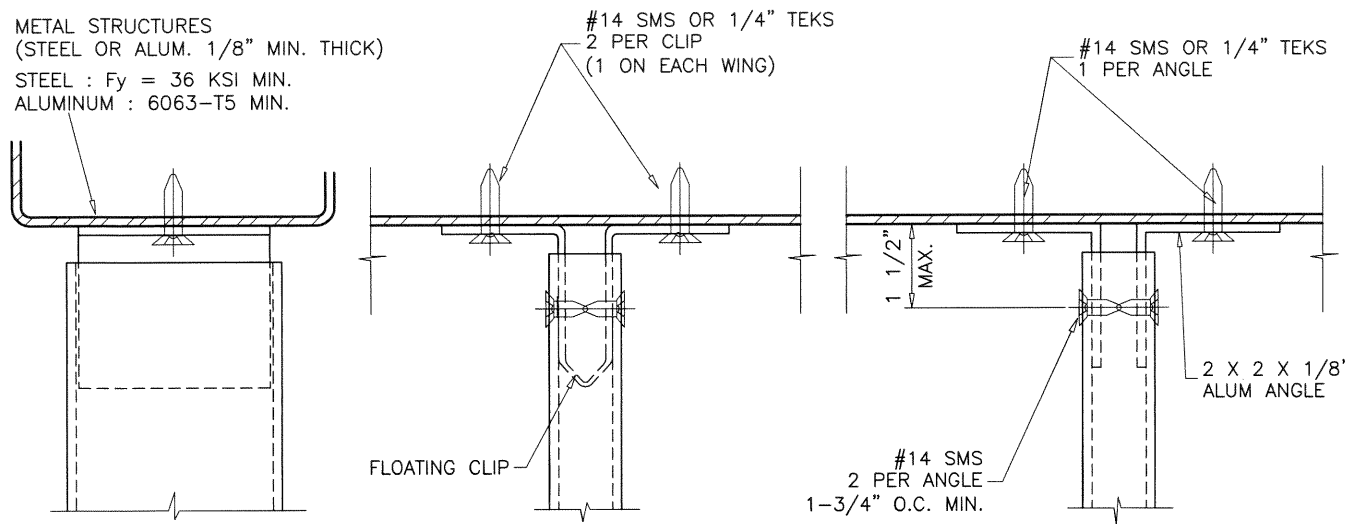
no	date	by	description

date: 08-31-15	scale: 3/8" = 1"
dr. by: TARIQ	chk. by:

drawing no.
M15-07
 sheet 5 of 6

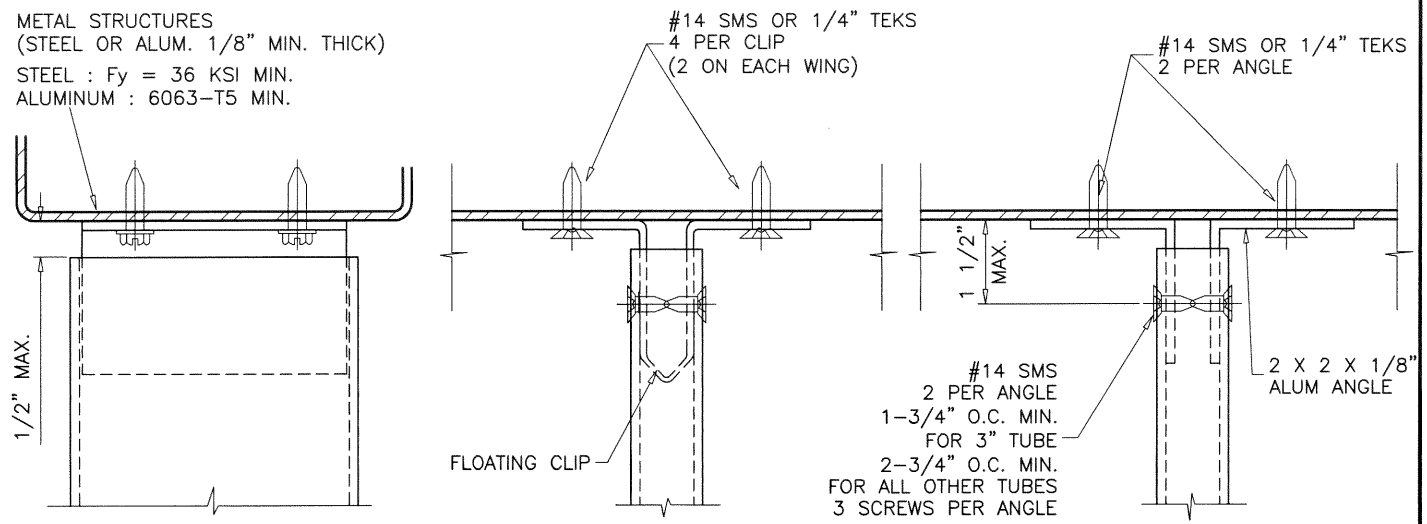
MULLION M15-07

METAL STRUCTURES
(STEEL OR ALUM. 1/8" MIN. THICK)
STEEL : Fy = 36 KSI MIN.
ALUMINUM : 6063-T5 MIN.



ANCHORS TYPE 'B2'

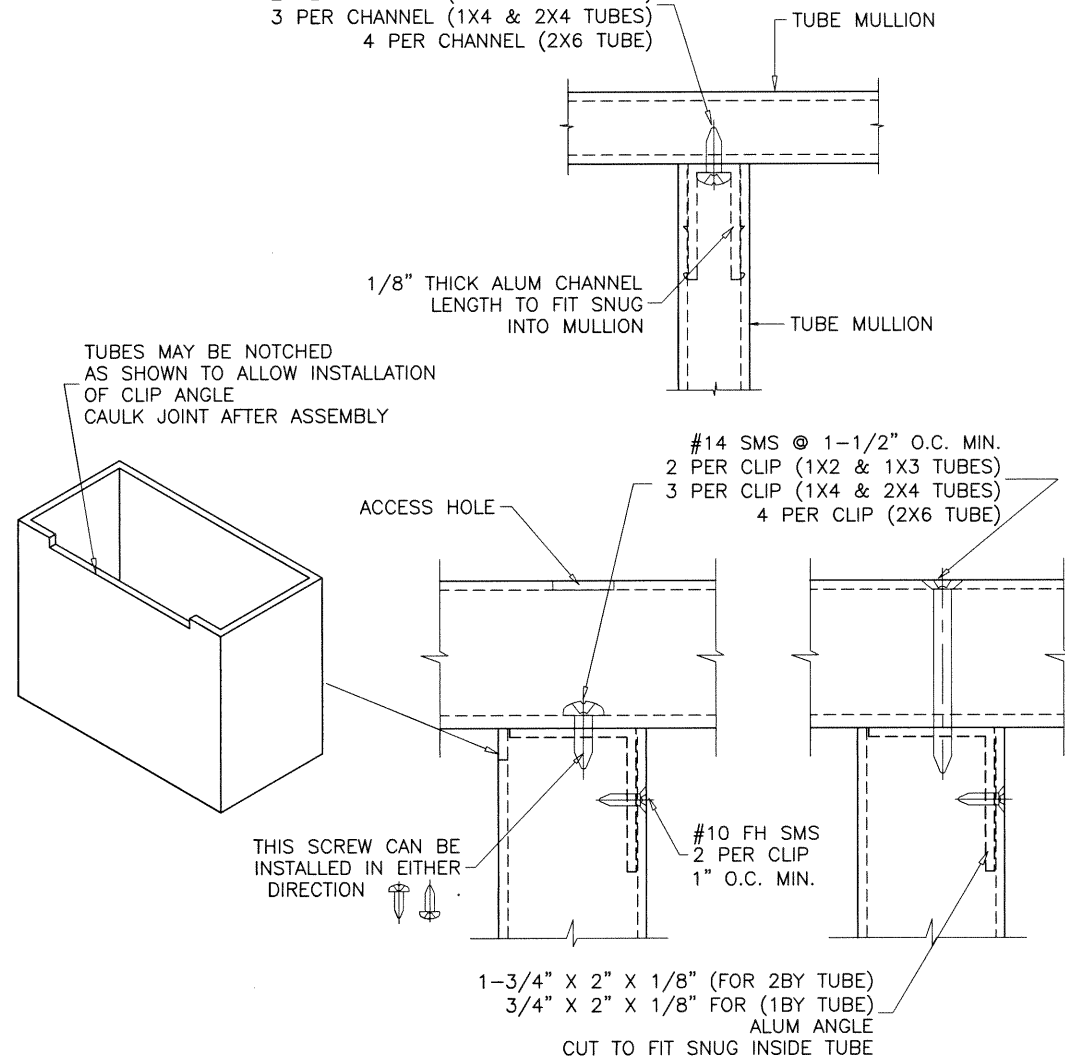
METAL STRUCTURES
(STEEL OR ALUM. 1/8" MIN. THICK)
STEEL : Fy = 36 KSI MIN.
ALUMINUM : 6063-T5 MIN.



ANCHORS TYPE 'B4'

ALL CLIPS TO FIT SNUG INTO TUBE MULLIONS.
TAPCONS MAY BE HEX OR FLAT HEAD.

#14 SMS @ 1-1/2" O.C. MIN.
2 PER CHANNEL (1X2 & 1X3 TUBES)
3 PER CHANNEL (1X4 & 2X4 TUBES)
4 PER CHANNEL (2X6 TUBE)



ANCHOR DETAIL #1
METAL TO METAL CONNECTION



Sealed: 10/5/2020

FL #21844

af c
AL-FAROOQ CORPORATION
ENGINEERS & PRODUCT DEVELOPMENT
9360 SUNSET DRIVE, SUITE 220
MIAMI, FLORIDA 33173 (C.A.N. 3538)
TEL. (305) 264-8100 FAX. (305) 262-6978
MULLION M15-07

ALUMINUM TUBE MULLIONS
Assura Windows & Doors, LLC.
1543 N. Powerline Road
Pompano Beach, FL 33069
Tel. (305) 887-2646 Fax. (-)

no	date	by	description

date: 08-31-15
scale: 3/8" = 1"
dr. by: TARIQ
chk. by:

drawing no.
M15-07
sheet 6 of 6