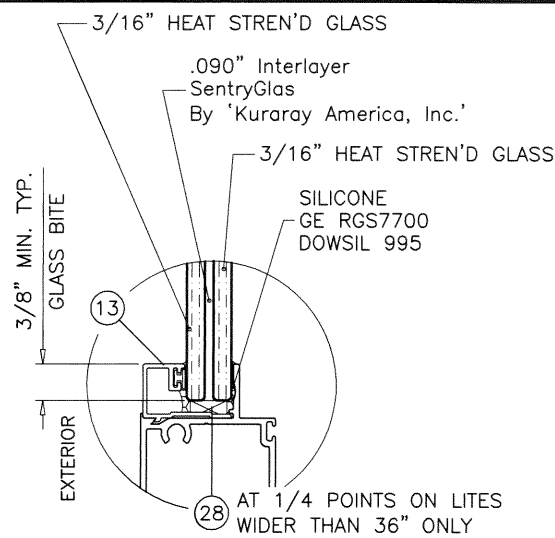


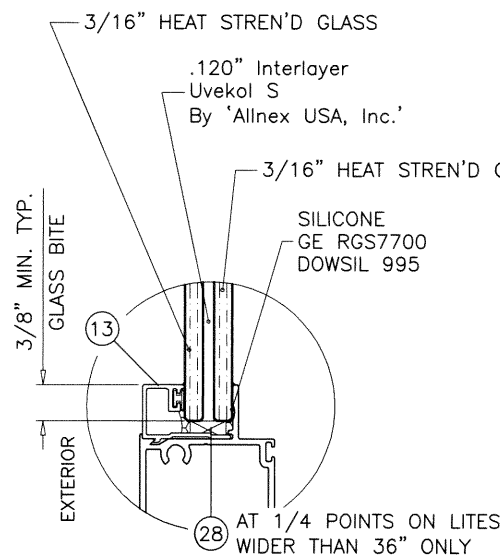
**TYPE 'A'**

7/16" OVERALL GLASS



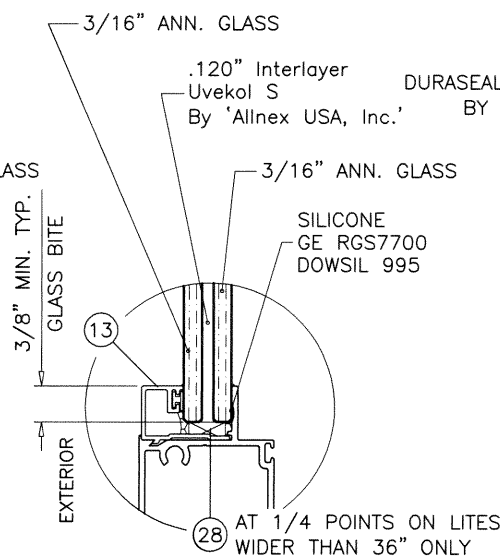
**TYPE 'B'**

7/16" OVERALL GLASS



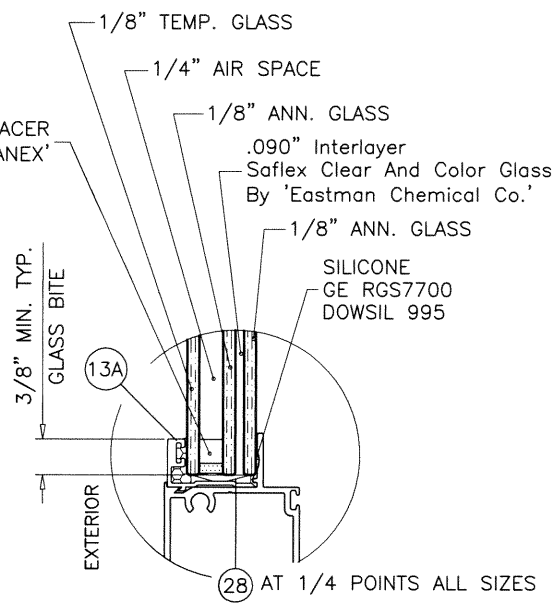
**TYPE 'C'**

1/2" OVERALL GLASS



**TYPE 'D'**

1/2" OVERALL GLASS



**TYPE 'E'**

11/16" OVERALL INSUL. GLASS

**GLAZING OPTIONS**

**SERIES 805**

**ALUMINUM HORIZONTAL ROLLING WDW.**

DESIGN LOAD RATINGS FOR THESE WINDOWS TO BE AS PER CHARTS SHOWN ON SHEETS 1 & 2.

APPROVAL APPLIES TO SINGLE UNITS OR SIDE BY SIDE COMBINATIONS OF H.R./H.R. OR HORIZONTAL ROLLING WITH OTHER F.B.C. APPR'D WINDOWS USING F.B.C. APPROVED MULLIONS IN BETWEEN. LOWER DESIGN PRESSURE FROM WINDOWS OR MULLION APPROVAL WILL APPLY TO ENTIRE SYSTEM.

THESE WINDOWS ARE RATED FOR LARGE & SMALL MISSILE IMPACT. SHUTTERS ARE NOT REQUIRED.

THIS PRODUCT HAS BEEN DESIGNED AND TESTED TO COMPLY WITH THE REQUIREMENTS OF THE 2017 (6TH EDITION)/2020 (7TH EDITION) FLORIDA BUILDING CODE INCLUDING HIGH VELOCITY HURRICANE ZONE (HVHZ).

1BY OR 2BY WOOD BUCKS & BUCK FASTENERS BY OTHERS, MUST BE DESIGNED AND INSTALLED ADEQUATELY TO TRANSFER APPLIED PRODUCT LOADS TO THE BUILDING STRUCTURE.

ANCHORS SHALL BE CORROSION RESISTANT, SPACED AS SHOWN ON DETAILS AND INSTALLED PER MANUF'S INSTRUCTIONS. SPECIFIED EMBEDMENT TO BASE MATERIAL SHALL BE BEYOND WALL DRESSING OR STUCCO.

A LOAD DURATION INCREASE IS USED IN DESIGN OF ANCHORS INTO WOOD ONLY. ALL SHIMS TO BE HIGH IMPACT, NON-METALLIC AND NON-COMPRESSIBLE.

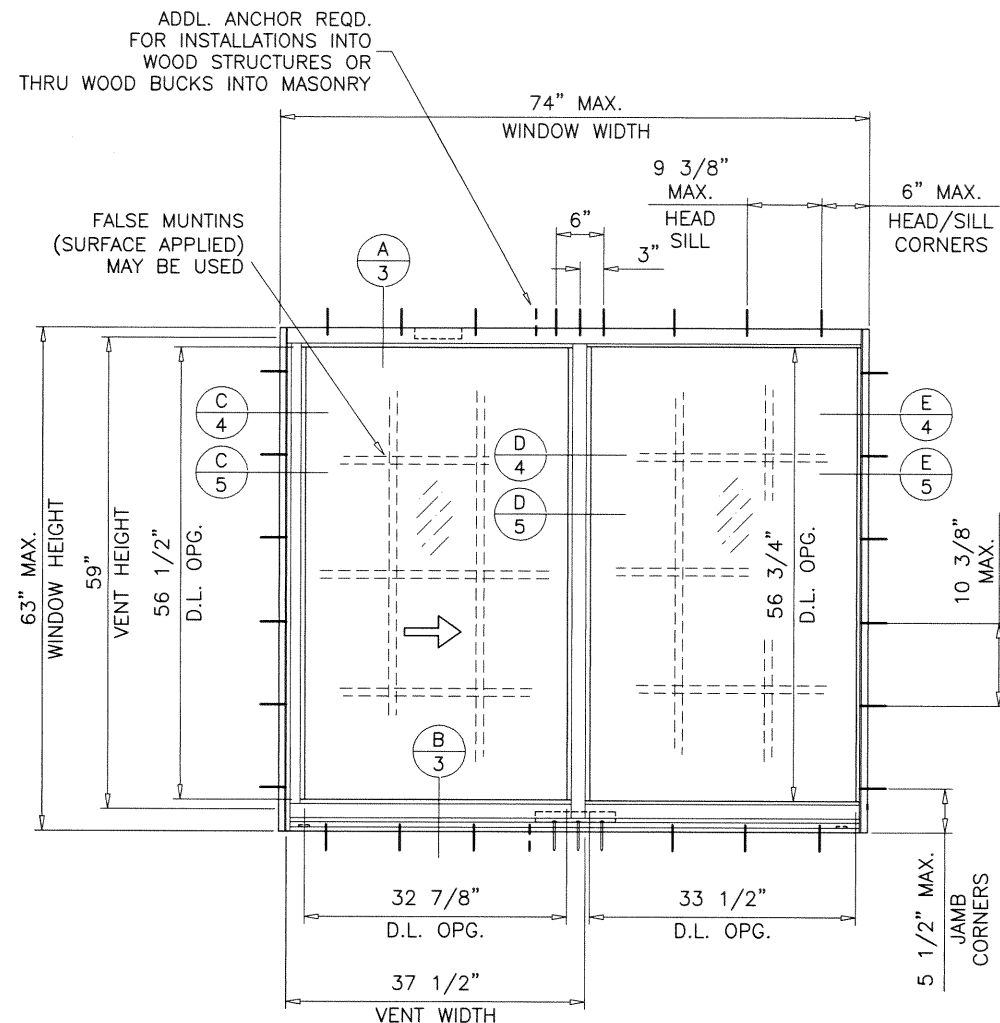
MATERIALS INCLUDING BUT NOT LIMITED TO STEEL/METAL SCREWS, THAT COME INTO CONTACT WITH OTHER DISSIMILAR MATERIALS SHALL MEET THE REQUIREMENTS OF THE 2017/2020 FLORIDA BLDG. CODE & ADOPTED STANDARDS.

THIS PRODUCT APPROVAL IS GENERIC AND DOES NOT PROVIDE INFORMATION FOR A SITE SPECIFIC PROJECT, I.E. LIFE SAFETY OF THIS PRODUCT, ADEQUACY OF STRUCTURE RECEIVING THIS PRODUCT AND SEALING AROUND OPENING FOR WATER INFILTRATION RESISTANCE ETC.

CONDITIONS NOT SHOWN IN THIS DRAWING ARE TO BE ANALYZED SEPARATELY, AND TO BE REVIEWED BY BUILDING OFFICIAL.

DESIGN LOADS SHOWN ARE BASED ON 'ALLOWABLE STRESS DESIGN (ASD)'. MANUFACTURER'S LABEL SHALL BE LOCATED ON A READILY VISIBLE LOCATION IN ACCORDANCE WITH SECTION 1709.9.3 OF FLORIDA BUILDING CODE. LABELING TO COMPLY WITH SECTION 1709.9.2.

DESIGN LOADS SHOWN ARE BASED ON 'ALLOWABLE STRESS DESIGN (ASD)'. MANUFACTURER'S LABEL SHALL BE LOCATED ON A READILY VISIBLE LOCATION IN ACCORDANCE WITH SECTION 1709.9.3 OF FLORIDA BUILDING CODE. LABELING TO COMPLY WITH SECTION 1709.9.2.



**TYPICAL ELEVATION**

XO OR OX SIZES  
MAXIMUM DESIGN LOAD RATING - PSF  
FOR SIZES SHOWN ABOVE OR SMALLER

GLASS TYPE 'A'		GLASS TYPE 'B'		GLASS TYPE 'C'		GLASS TYPE 'D'		GLASS TYPE 'E'	
EXT.(+)	1NT.(-)	EXT.(+)	1NT.(-)	EXT.(+)	1NT.(-)	EXT.(+)	1NT.(-)	EXT.(+)	1NT.(-)
80.0	90.0	90.0	130.0	90.0	90.0	55.0	55.0	79.0	79.0

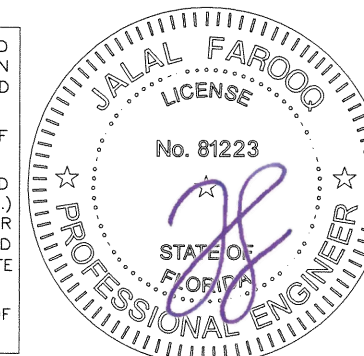
LOADS SHOWN ABOVE ARE FOR WINDOW VENTS WITH SPRING LOADED ALUMINUM LATCHES, FOR METALLIC SWEEP LATCHES LIMIT MAX. LOADS TO ±80.0 PSF.

NOTE:  
GLASS CAPACITIES ON THIS SHEET ARE BASED ON ASTM E1300-09 (3 SEC. GUSTS) AND FLORIDA BUILDING COMMISSION DECLARATORY STATEMENT DCA05-DEC-219

Sealed: 10/14/2020

FL #21850

- A- CONTRACTOR TO BE RESPONSIBLE FOR THE SELECTION, PURCHASE AND INSTALLATION OF THIS PRODUCT BASED ON THIS PRODUCT EVALUATION PROVIDED HE/SHE DOES NOT DEVIATE FROM THE CONDITIONS DETAILED ON THIS DOCUMENT.
- B- THIS PRODUCT EVALUATION DOCUMENT WILL BE CONSIDERED INVALID IF ALTERED BY ANY MEANS.
- C- SITE SPECIFIC PROJECTS SHALL BE PREPARED BY A FLORIDA REGISTERED ENGINEER OR ARCHITECT WHICH WILL BECOME THE ENGINEER OF RECORD (E.O.R.) FOR THE PROJECT AND WHO WILL BE RESPONSIBLE FOR THE PROPER USE OF THE P.E.D. ENGINEER OF RECORD, ACTING AS A DELEGATED ENGINEER TO THE P.E.D. ENGINEER SHALL SUBMIT TO THIS LATTER THE SITE SPECIFIC DRAWINGS FOR REVIEW.
- D- THIS P.E.D. SHALL BEAR THE DATE AND ORIGINAL SEAL AND SIGNATURE OF THE PROFESSIONAL ENGINEER OF RECORD THAT PREPARED IT.



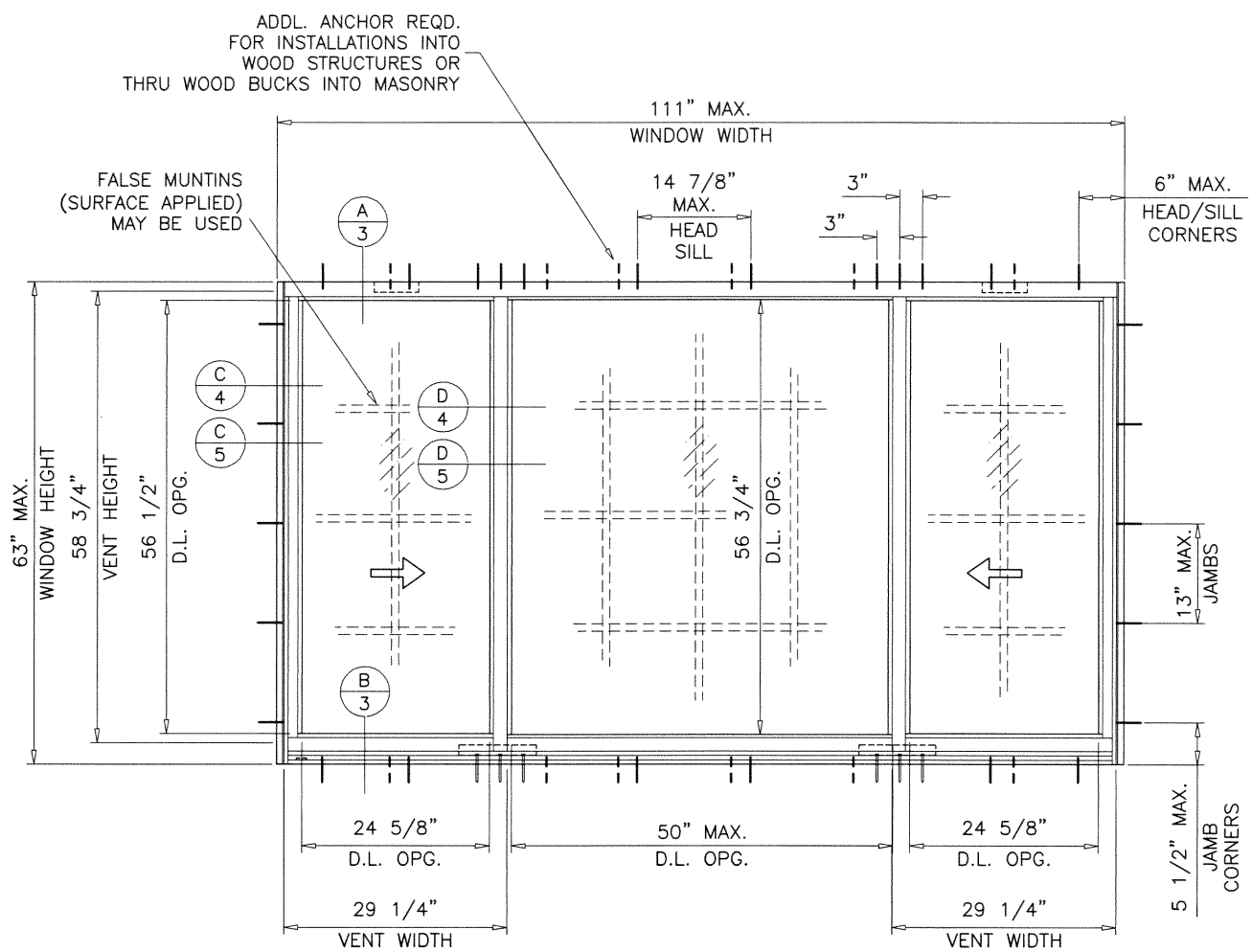
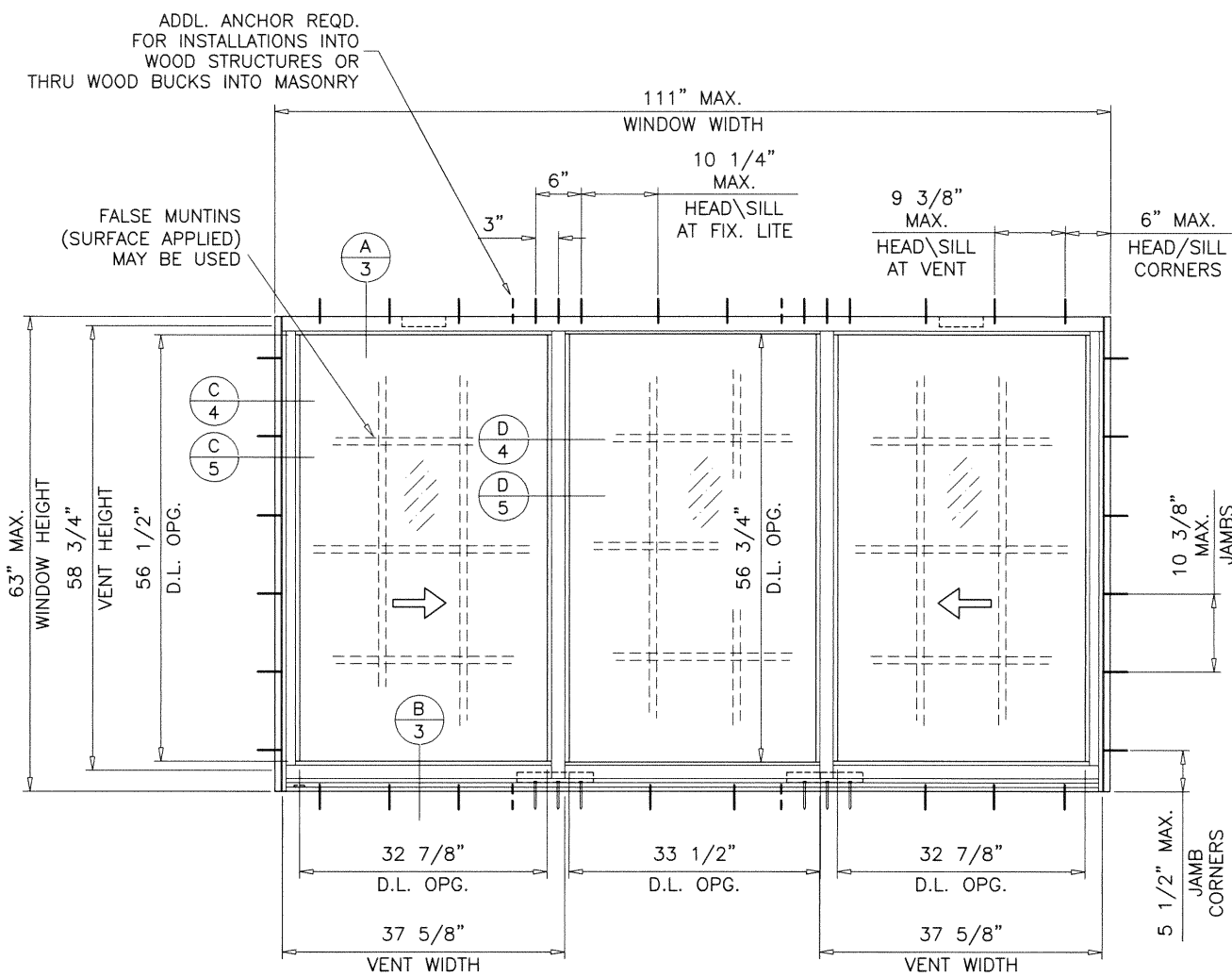
**af c**  
**AL-FAROOQ CORPORATION**  
ENGINEERS & PRODUCT DEVELOPMENT  
9360 SUNSET DRIVE, SUITE 220  
MIAMI, FLORIDA 33173 (C.A.N. 3538)  
TEL. (305) 264-8100 FAX. (305) 262-6978  
COMP-ANL\W15-29TAW

SERIES 805 ALUM HORIZONTAL ROLLING WDW. (L.M.I.)  
**Assura Windows & Doors, LLC.**  
1543 N. Powerline Road  
Pompano Beach, Fl. 33069  
Tel. (305) 887-2646 Fax. (-)

revisions:	no.	date	description	by
	A	02.08.17	MANUF. NAME REV.	
	B	10.09.17	UPDATED TO 2017 FBC	
	C	09.23.20	UPDATED TO 2020 FBC	

date: 06-29-15  
scale: 1/2"=1'-0"  
dr. by: TARIQ  
chk. by:

drawing no.  
**W15-29**  
sheet 1 of 7



TYPICAL ELEVATIONS

XOX SIZES

MAXIMUM DESIGN LOAD RATING - PSF  
FOR SIZES SHOWN ABOVE OR SMALLER

GLASS TYPE 'A'		GLASS TYPE 'B'		GLASS TYPE 'C'		GLASS TYPE 'E'	
EXT.(+)	1NT.(-)	EXT.(+)	1NT.(-)	EXT.(+)	1NT.(-)	EXT.(+)	1NT.(-)
80.0	90.0	90.0	130.0	90.0	90.0	79.0	79.0

LOADS SHOWN ABOVE ARE FOR WINDOW VENTS WITH SPRING LOADED ALUM LATCHES, FOR METALLIC SWEEP LATCHES LIMIT MAX. LOADS TO ±80.0 PSF.

XOX SIZES

MAXIMUM DESIGN LOAD RATING - PSF  
FOR SIZES SHOWN ABOVE OR SMALLER

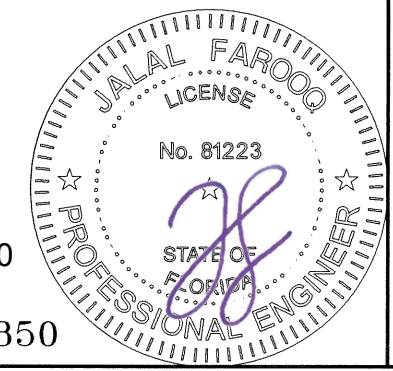
GLASS TYPE 'A'		GLASS TYPE 'B'	
EXT.(+)	1NT.(-)	EXT.(+)	1NT.(-)
80.0	90.0	90.0	130.0

LOADS SHOWN ABOVE ARE FOR WINDOW VENTS WITH SPRING LOADED ALUM LATCHES, FOR METALLIC SWEEP LATCHES LIMIT MAX. LOADS TO ±80.0 PSF.

NOTE:  
GLASS CAPACITIES ON THIS SHEET ARE  
BASED ON ASTM E1300-09 (3 SEC. GUSTS)  
AND FLORIDA BUILDING COMMISSION  
DECLARATORY STATEMENT DCA05-DEC-219

Sealed: 10/14/2020

FL #21850



**af c**  
**AL-FAROOQ CORPORATION**  
ENGINEERS & PRODUCT DEVELOPMENT  
9360 SUNSET DRIVE, SUITE 220  
MIAMI, FLORIDA 33173 (C.A.N. 3538)  
TEL. (305) 264-8100 FAX. (305) 262-6978  
COMP-ANL\W15-29TAW

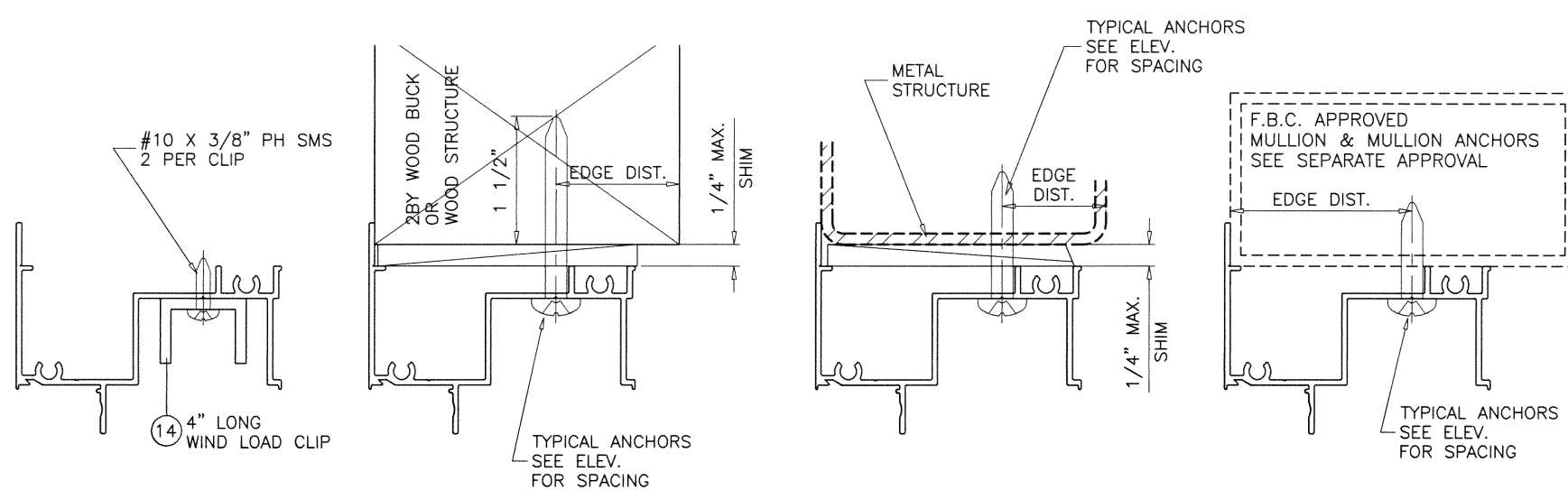
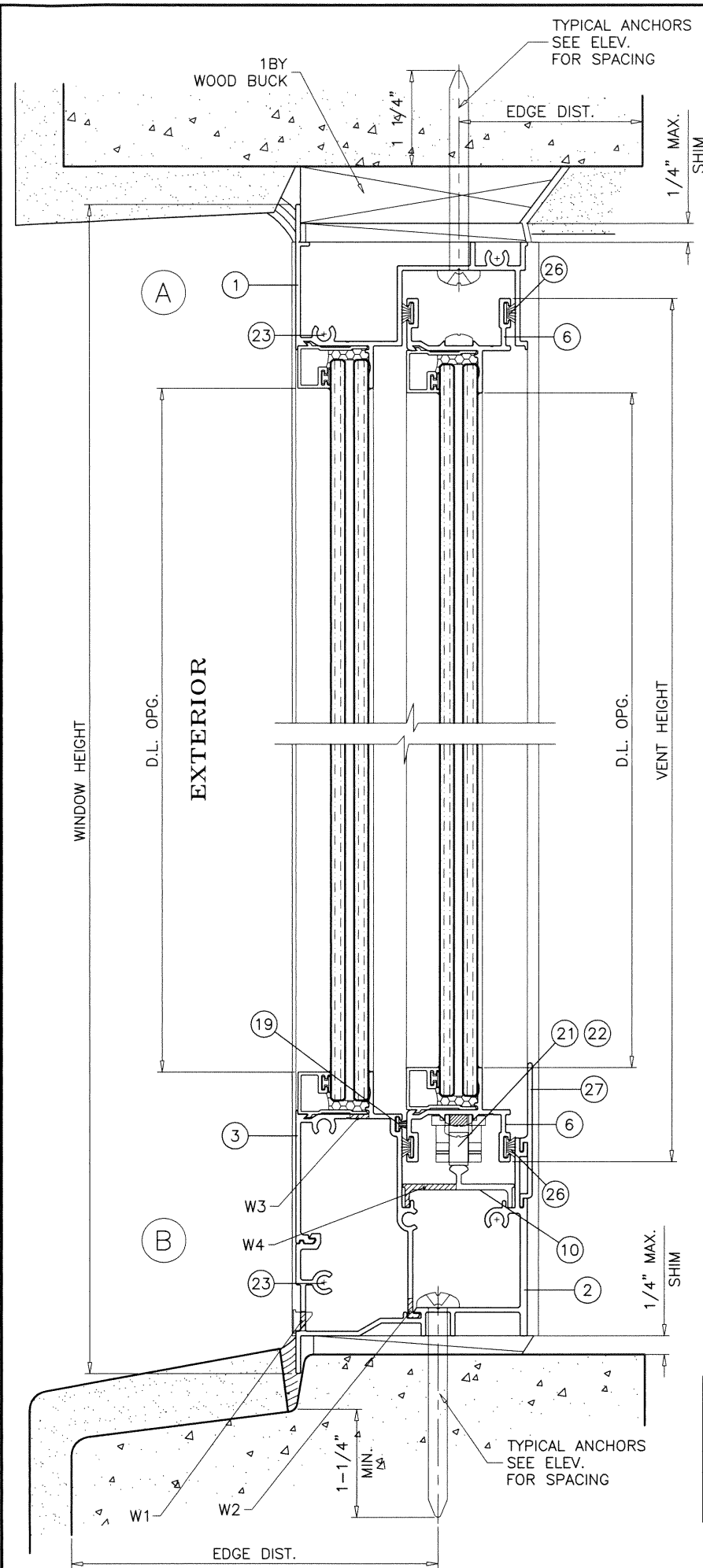
SERIES 805 ALUM HORIZONTAL ROLLING WDW. (L.M.I.)  
**Assura Windows & Doors, LLC.**  
1543 N. Powerline Road  
Pompano Beach, Fl. 33069  
Tel. (305) 887-2646 Fax. (-)

revisions:

no	date	description

date: 06-29-15  
scale: 1/2" = 1"  
dr. by: TARIQ  
chk. by:

drawing no.  
**W15-29**  
sheet 2 of 7



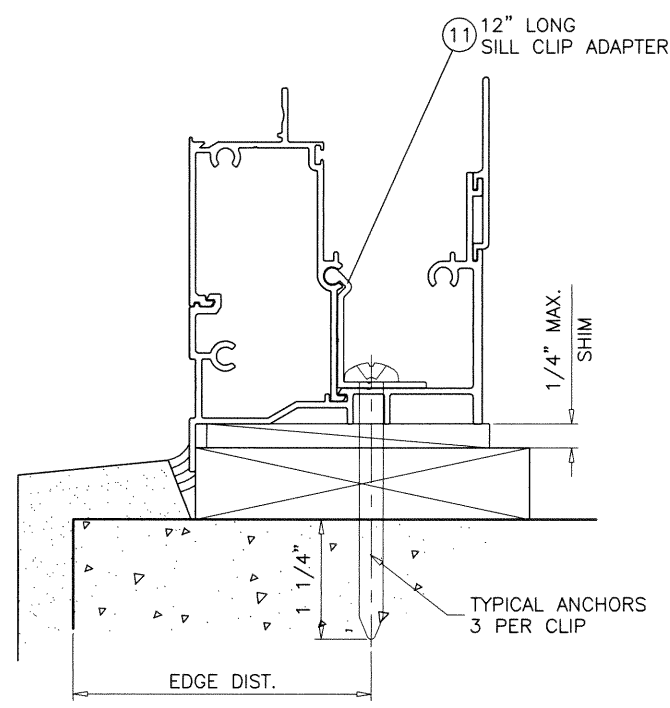
WOOD BUCKS AND METAL STRUCTURE NOT BY 'ASSURA WINDOWS' MUST SUSTAIN LOADS IMPOSED BY GLAZING SYSTEM AND TRANSFER THEM TO THE BUILDING STRUCTURE.

**SEALANTS:**

ALL FRAME AND VENT JOINTS AND CONNECTIONS SEALED WITH SILICONE OR ACRYLIC SEALANT.

**WEEPHOLES:**

- W1 = 1-1/4" X 1/4" WEEPHOLES WITH PLASTIC BAFFLE AT 4-7/8" FROM EACH END AND AT MIDSPAN
- W2 = 1-1/4" X 1/4" WEEPHOLES AT 4-7/8" FROM EACH END AND AT MIDSPAN
- W3 = 2" LONG WEEP NOTCH AT EACH END
- W4 = 1" LONG WEEP NOTCH AT 32" FROM EACH END



**TYPICAL ANCHORS:** SEE ELEV. FOR SPACING

**1/4" DIA. ULTRACON+ BY 'DEWALT'** (Fu=164 KSI, Fy=148 KSI) INTO 2BY WOOD BUCKS OR WOOD STRUCTURES 1-1/2" MIN. PENETRATION INTO WOOD (HEAD/SILL/JAMBS) THRU 1BY BUCKS INTO CONC. OR BLOCKS 1-1/4" MIN. EMBED INTO CONCRETE (HEAD/SILL/JAMBS) 1-1/4" MIN. EMBED INTO BLOCKS (JAMBS)

DIRECTLY INTO CONCRETE OR BLOCKS 1-1/4" MIN. EMBED INTO CONCRETE (HEAD/SILL/JAMBS) 1-1/4" MIN. EMBED INTO BLOCKS (JAMBS)

**1/4" DIA. TEKS OR SELF DRILLING SCREWS** (GRADE 5 CRS) INTO METAL STRUCTURES (HEAD/SILL/JAMBS) (3) THREADS MIN. PENETRATION BEYOND SUBSTRATE ALUMINUM: 1/8" THK. MIN. (6063-T5 MIN.) STEEL: 1/8" THK. MIN. (Fy = 36 KSI MIN.) (STEEL IN CONTACT WITH ALUMINUM TO BE PLATED OR PAINTED)

**#14 SMS OR SELF DRILLING SCREWS** (GRADE 2 CRS) INTO F.B.C. APPROVED MULLIONS (NO SHIM SPACE) (3) THREADS MIN. PENETRATION BEYOND SUBSTRATE ALUMINUM: 1/8" THK. MIN. (6063-T5 MIN.) STEEL: 1/8" THK. MIN. (Fy = 36 KSI MIN.) (STEEL IN CONTACT WITH ALUMINUM TO BE PLATED OR PAINTED)

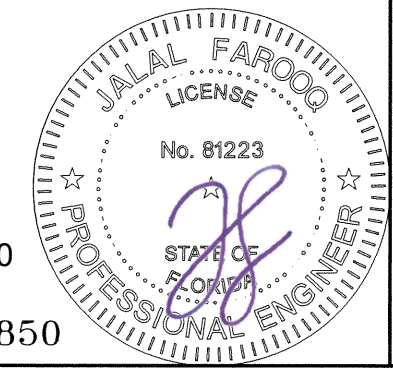
**TYPICAL EDGE DISTANCE**

INTO CONCRETE AND MASONRY = 2-1/2" MIN.  
INTO WOOD STRUCTURE = 1" MIN.  
INTO METAL STRUCTURE = 3/4" MIN.

WOOD AT HEAD, SILL OR JAMBS SG = 0.55 MIN.  
CONCRETE AT HEAD, SILL OR JAMBS f'c = 3000 PSI MIN.  
C-90 HOLLOW/FILLED BLOCK AT JAMBS f'm = 2000 PSI MIN.

Sealed: 10/14/2020

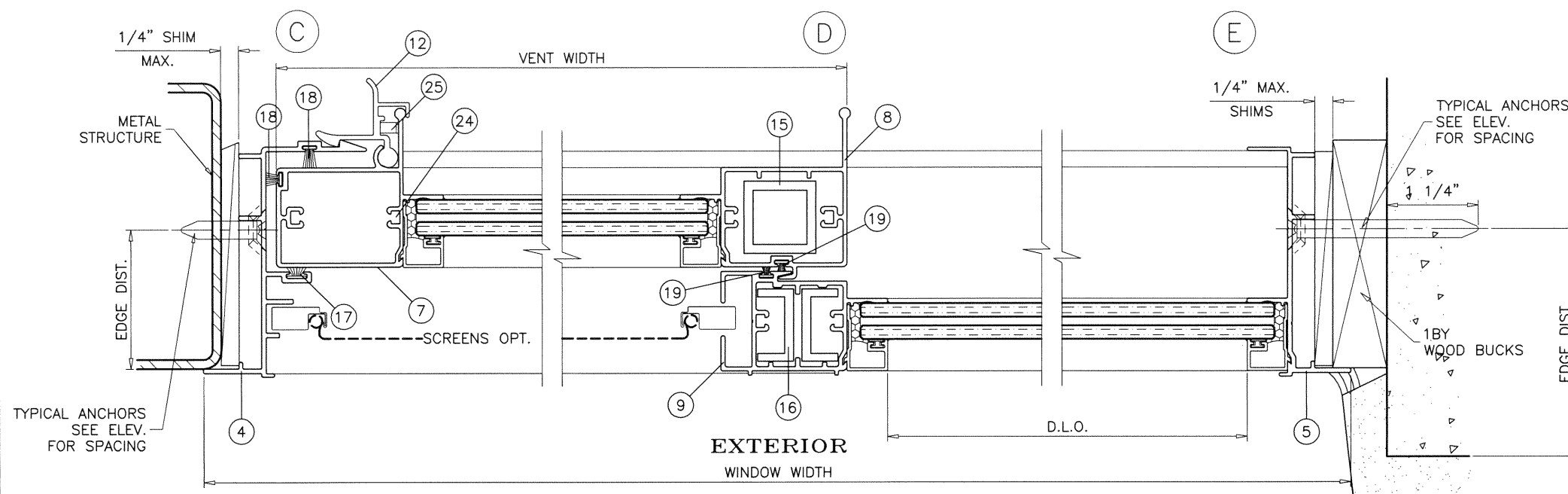
FL #21850



**AL-FAROOQ CORPORATION**  
ENGINEERS & PRODUCT DEVELOPMENT  
9360 SUNSET DRIVE, SUITE 220  
MIAMI, FLORIDA 33173  
TEL. (305) 264-8100 FAX. (305) 262-6978  
COMP-ANL\W15-29TMM

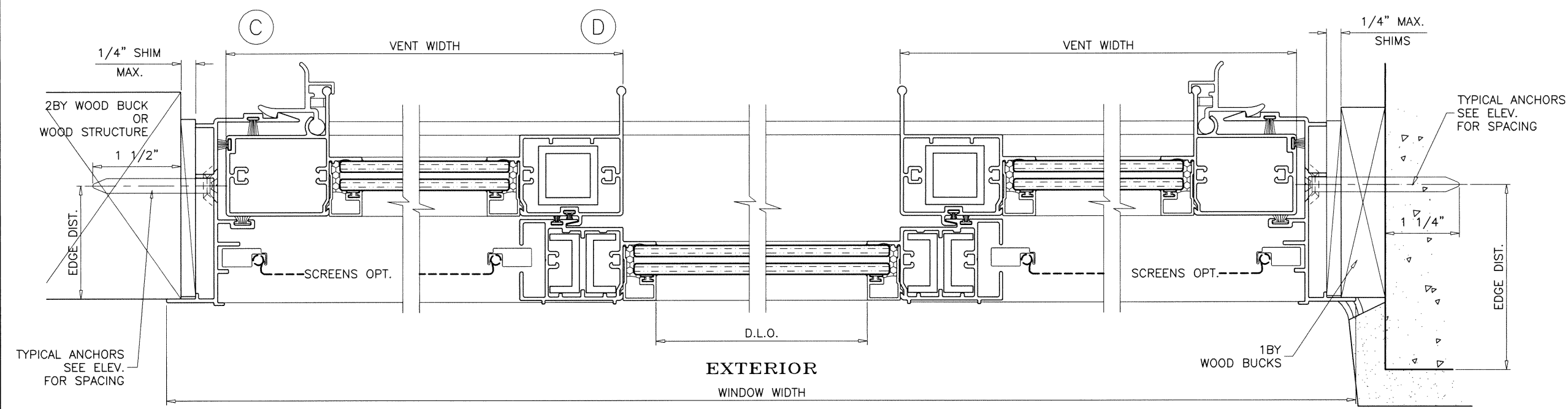
SERIES 805 ALUM HORIZONTAL ROLLING WDW. (L.M.I.)  
**Assura Windows & Doors, LLC.**  
1543 N. Powerline Road  
Pompano Beach, Fl. 33069  
Tel. (305) 887-2646 Fax. (-)

revisions:	no	date	by	description
date:	06-29-15	scale:	1/2" = 1"	
dr. by:	TARIQ	chk. by:		
drawing no.	W15-29			
sheet	3 of 7			



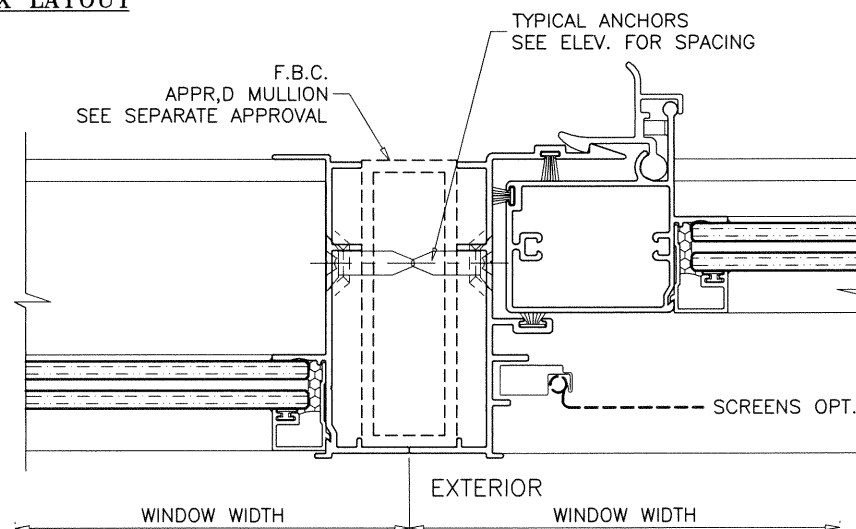
EXTERIOR  
WINDOW WIDTH

X0 LAYOUT  
OX OPPOSITE



EXTERIOR  
WINDOW WIDTH

XOX LAYOUT



VENTS WITH  
SPRING LOADED LATCHES



Sealed: 10/14/2020

FL #21850

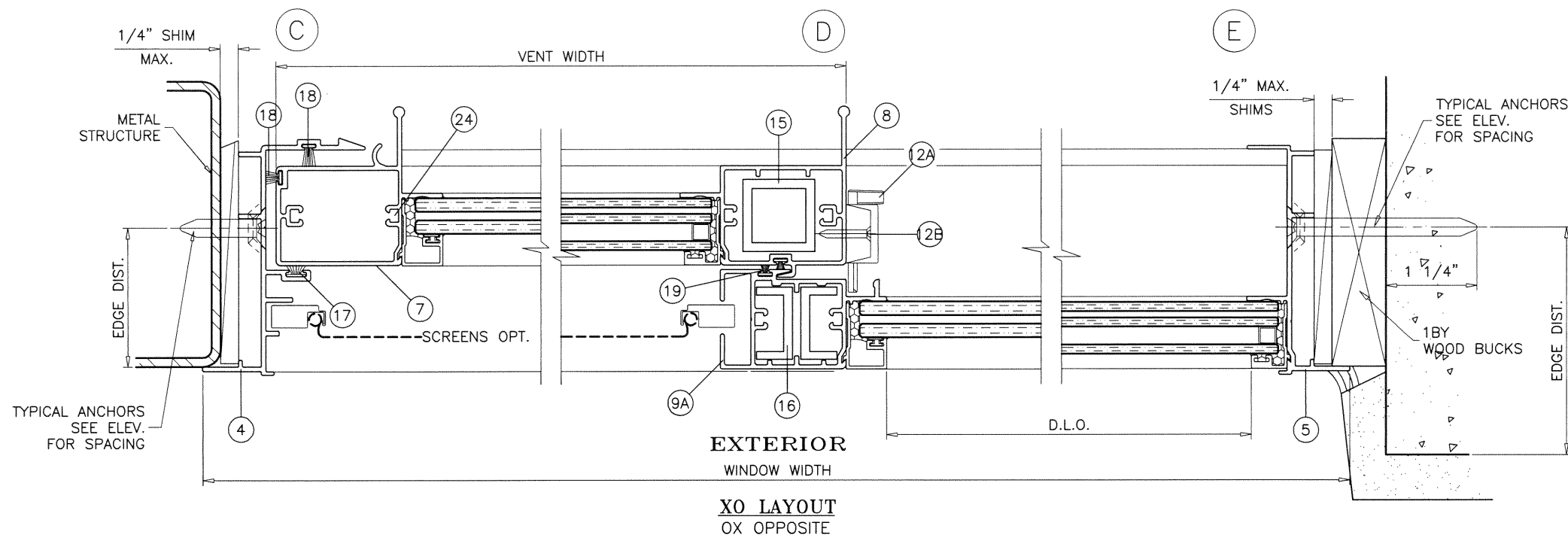
**af c**  
**AL-FAROOQ CORPORATION**  
ENGINEERS & PRODUCT DEVELOPMENT  
9360 SUNSET DRIVE, SUITE 220 (C.A.N. 3538)  
MIAMI, FLORIDA 33173 TEL. (305) 262-6978  
FAX. (305) 264-8100  
COMP-ANL W15-29TMW

SERIES 805 ALUM HORIZONTAL ROLLING WDW. (L.M.I.)  
**Assura Windows & Doors, LLC.**  
1543 N. Powerline Road  
Pompano Beach, Fl. 33069  
Tel. (305) 887-2646 Fax. (-)

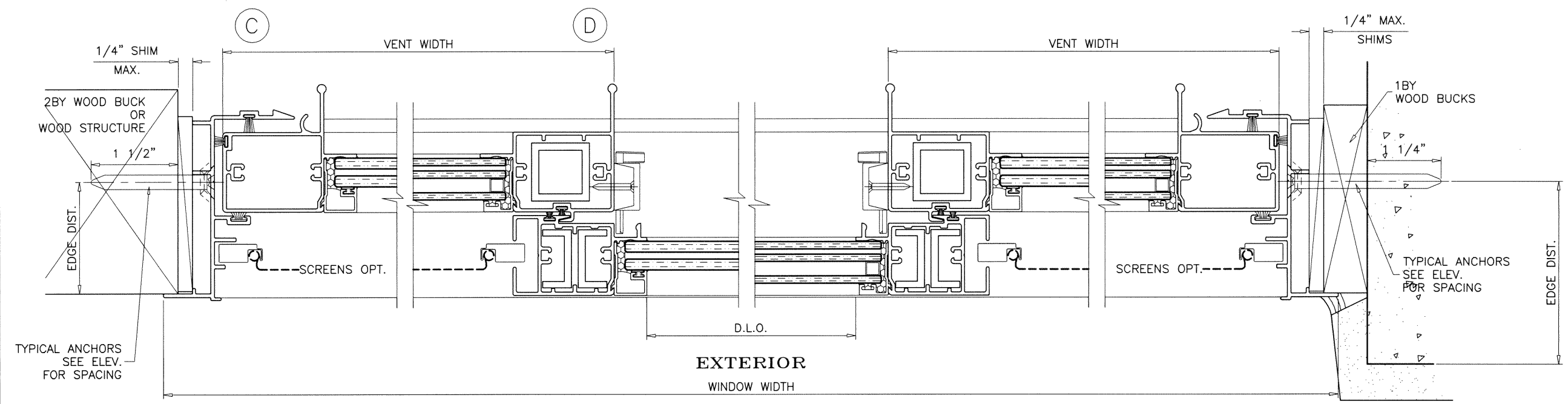
no	date	by	description

date: 06-29-15  
scale: 1/2" = 1"  
dr. by: TARIQ  
chk. by:

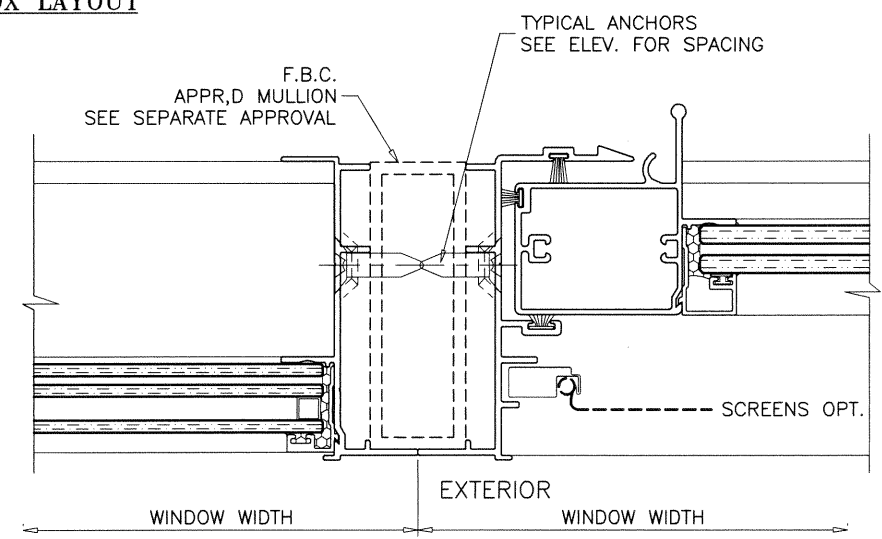
drawing no.  
**W15-29**  
sheet 4 of 7



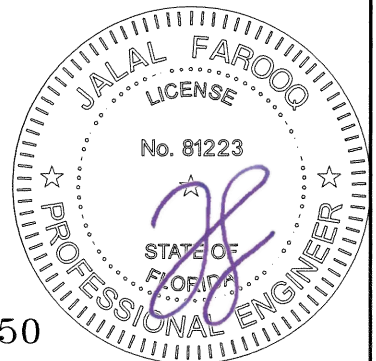
EXTERIOR  
WINDOW WIDTH  
XO LAYOUT  
OX OPPOSITE



EXTERIOR  
WINDOW WIDTH  
XOX LAYOUT



VENTS WITH  
SWEEP LATCHES



Sealed: 10/14/2020

FL #21850

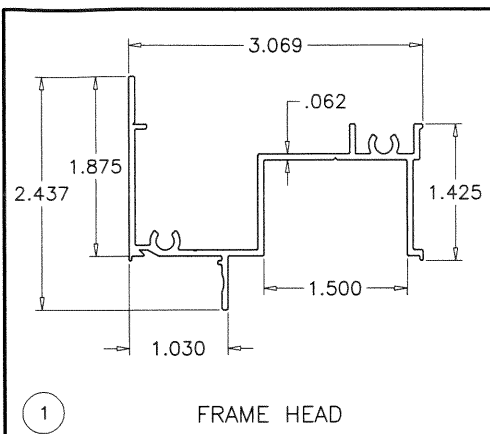
**af c**  
**AL-FAROOQ CORPORATION**  
ENGINEERS & PRODUCT DEVELOPMENT  
9360 SUNSET DRIVE, SUITE 220 (C.A.N. 3538)  
MIAMI, FLORIDA 33173  
TEL. (305) 264-8100 FAX. (305) 262-6978  
COMP-ANL \ W15-29TMMW

SERIES 805 ALUM HORIZONTAL ROLLING WDW. (L.M.I.)  
**Assura Windows & Doors, LLC.**  
1543 N. Powerline Road  
Pompano Beach, Fl. 33069  
Tel. (305) 887-2646 Fax. (-)

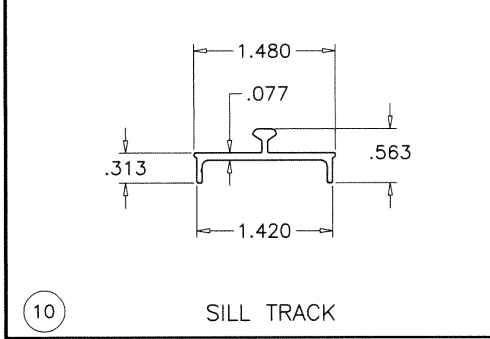
no	date	by	description

date: 06-29-15  
scale: 1/2" = 1"  
dr. by: TARIQ  
chk. by:

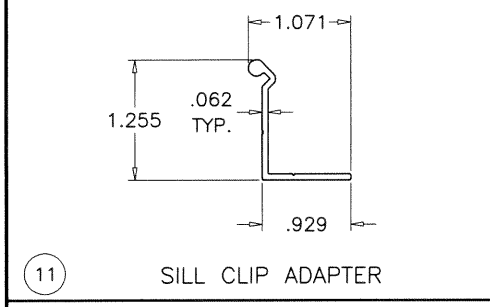
drawing no.  
**W15-29**  
sheet 5 of 7



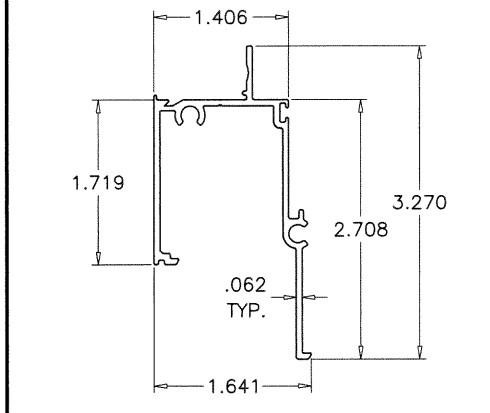
1 FRAME HEAD



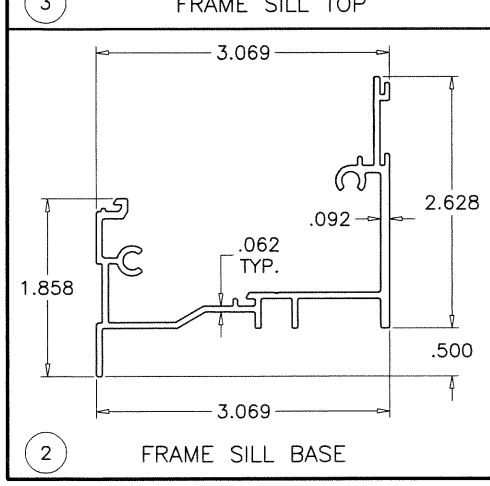
10 SILL TRACK



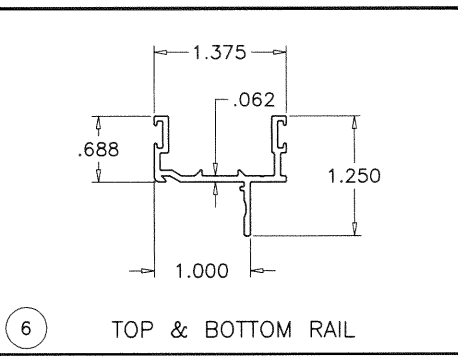
11 SILL CLIP ADAPTER



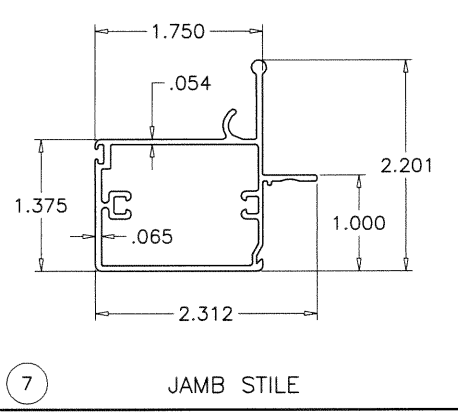
3 FRAME SILL TOP



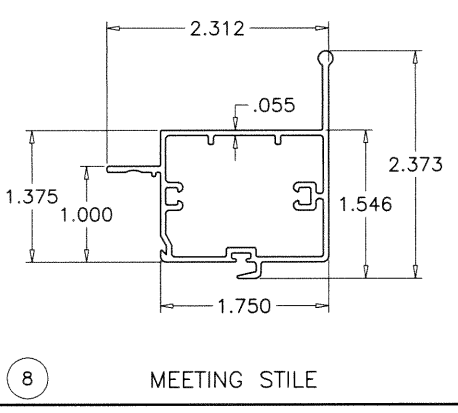
2 FRAME SILL BASE



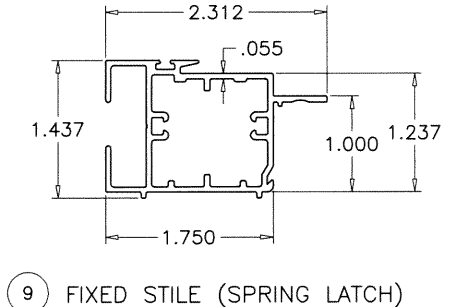
6 TOP & BOTTOM RAIL



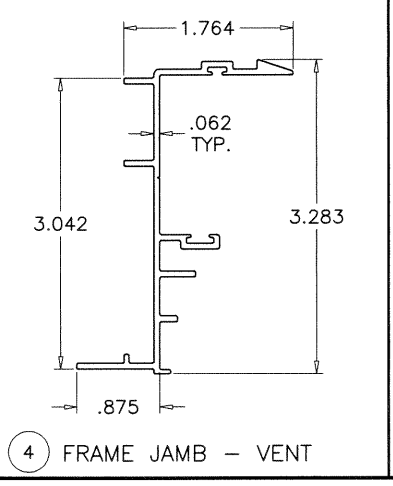
7 JAMB STILE



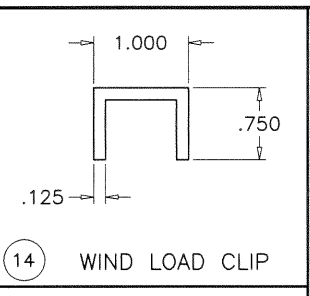
8 MEETING STILE



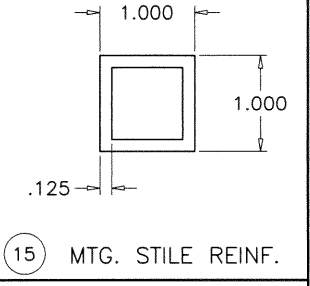
9 FIXED STILE (SPRING LATCH)



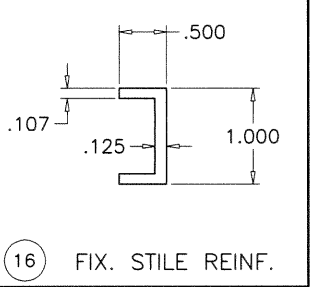
4 FRAME JAMB - VENT



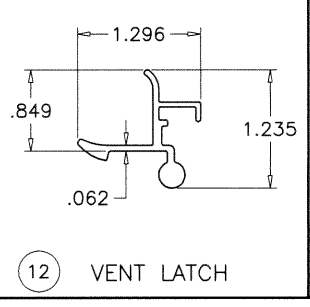
14 WIND LOAD CLIP



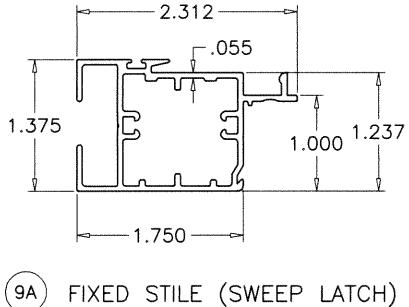
15 MTG. STILE REINF.



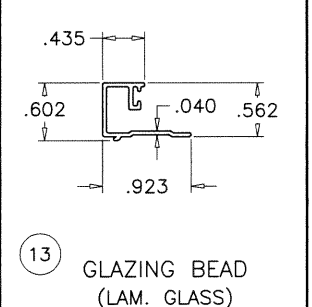
16 FIX. STILE REINF.



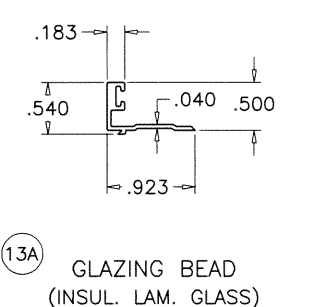
12 VENT LATCH



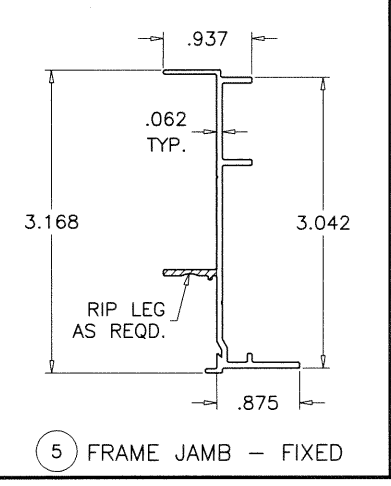
9A FIXED STILE (SWEEP LATCH)



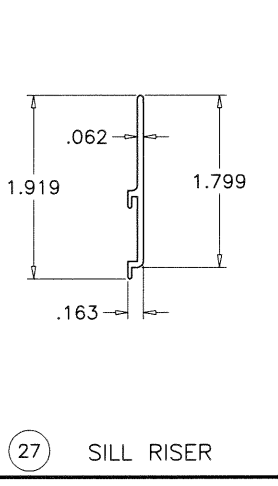
13 GLAZING BEAD (LAM. GLASS)



13A GLAZING BEAD (INSUL. LAM. GLASS)



5 FRAME JAMB - FIXED



27 SILL RISER

ITEM	PART #	QUANTITY	DESCRIPTION	MATERIAL	MANF./SUPPLIER/REMARKS
1	TM-130	1	FRAME HEAD	6063-T6	-
2	TM-133B	1	FRAME SILL BASE	6063-T6	-
3	TM-134	1	FRAME SILL TOP	6063-T6	-
4	TM-132	AS REQD.	FRAME JAMB - VENT	6063-T6	-
5	TM-131A	AS REQD.	FRAME JAMB - FIXED	6063-T6	-
6	TM-138	2/ VENT	TOP AND BOTTOM RAIL	6063-T6	-
7	TM-139	1/ VENT	JAMB STILE	6063-T6	-
8	TM-140	1/ VENT	MEETING STILE	6063-T6	-
9	TM-137	1/ VENT	FIXED STILE (SPRING LOADED LATCH)	6063-T6	-
9A	TM-137A	1/ VENT	FIXED STILE (SWEEP LATCH)	6063-T6	-
10	TM-136	1	SILL TRACK INSERT	6063-T6	-
11	TM-135	1	SILL CLIP ADAPTER, 12" LONG	6063-T6	AT MTG. STILE LOCATION
12	TM-118	1/ VENT	SPRING LOADED VENT LATCH, 3-1/8" LONG	6063-T6	AT MID SPAN
12A	-	1/ VENT	METALLIC SWEEP LATCH	-	AT MID SPAN
12B	#8 X 3/4"	2/LATCH	SWEEP LATCH MOUNTING SCREWS	-	FH SMS
13	TM-141A	AS REQD.	GLAZING BEAD (LAMINATED GLASS)	6063-T6	-
13A	TM-181	AS REQD.	GLAZING BEAD (INSUL. LAM. GLASS)	6063-T6	-
14	TM-154	AS REQD.	WIND LOAD CLIP, 4" LONG	6063-T6	-
15	-	1/ STILE	MEETING STILE REINFORCING	6063-T6	-
16	-	2/ STILE	FIXED STILE REINFORCING	6063-T6	-
17	W31225	AS REQD.	FIN SEAL W'STRIPPING (.270" X .220" HIGH)	WOOL	-
18	W43371	AS REQD.	FIN SEAL W'STRIPPING (.187" X .370" HIGH)	WOOL	-
19	W43201	AS REQD.	FIN SEAL W'STRIPPING (.187" X .200" HIGH)	WOOL	-
20	P5043	-	ADHESIVE BACK CLOSED CELL FOAM	-	7/8" X 1/2" X 1-7/16" LONG
21	-	2/ VENT	VENT ROLLER HOUSING & GUIDE	PLASTIC	AT EACH END
22	-	-	VENT ROLLER/WHEEL	BRASS	-
23	#12 X 1"	2/ CORNER	FRAME ASSEMBLY SCREWS	-	P.H. PHILLIPS SMS
24	#10 X 1"	2/ CORNER	VENT ASSEMBLY SCREWS	-	P.H. PHILLIPS SMS
25	-	1/ LATCH	VENT LATCH SPRING	ST. STEEL	-
26	W31175	AS REQD.	FIN SEAL W'STRIPPING (.187" X .175" HIGH)	WOOL	-
27	TM-151	1	SILL RISER	6063-T6	-
28	-	AS REQD.	SETTING BLOCKS	EPDM	DUROMETER 80±5 SHORE A

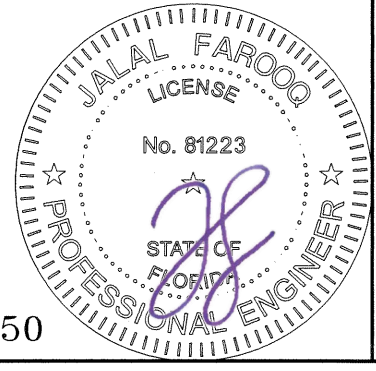
**af c**  
**AL-FAROOQ CORPORATION**  
 ENGINEERS & PRODUCT DEVELOPMENT  
 9360 SUNSET DRIVE, SUITE 220 (C.A.N. 3538)  
 MIAMI, FLORIDA 33173 FAX. (305) 262-6978  
 TEL. (305) 264-8100 COMP-ANL\W15-29TMW

SERIES 805 ALUM HORIZONTAL ROLLING WDW. (L.M.I.)  
**Assura Windows & Doors, LLC.**  
 1543 N. Powerline Road  
 Pompano Beach, Fl. 33069  
 Tel. (305) 887-2646 Fax. (-)

no	date	description

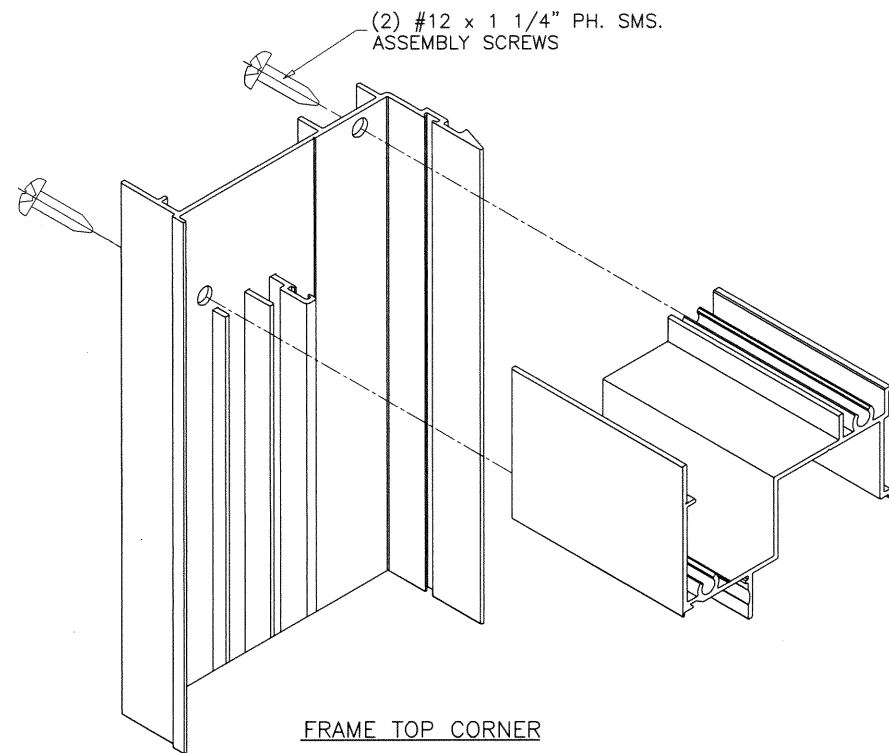
date: 06-29-15	scale: 1/2" = 1"
dr. by: TARIQ	chk. by:

drawing no.  
**W15-29**  
 sheet 6 of 7

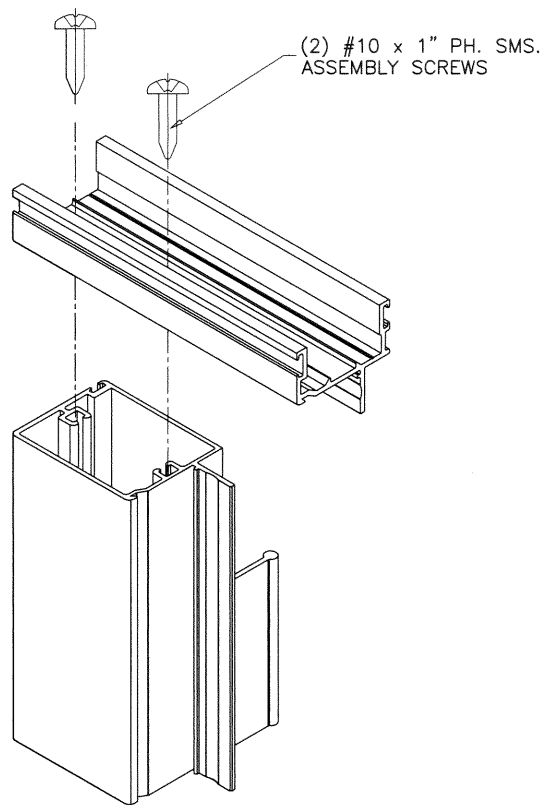


Sealed: 10/14/2020

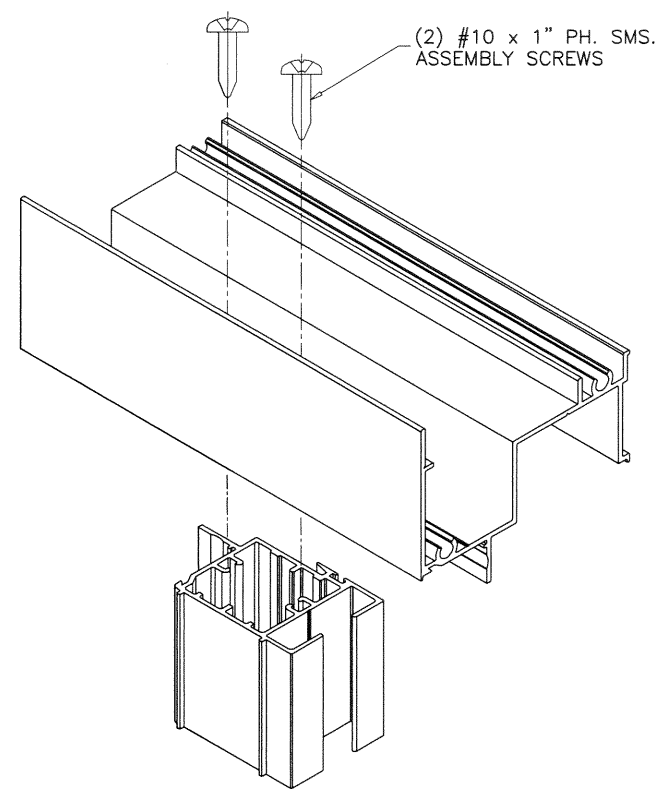
FL #21850



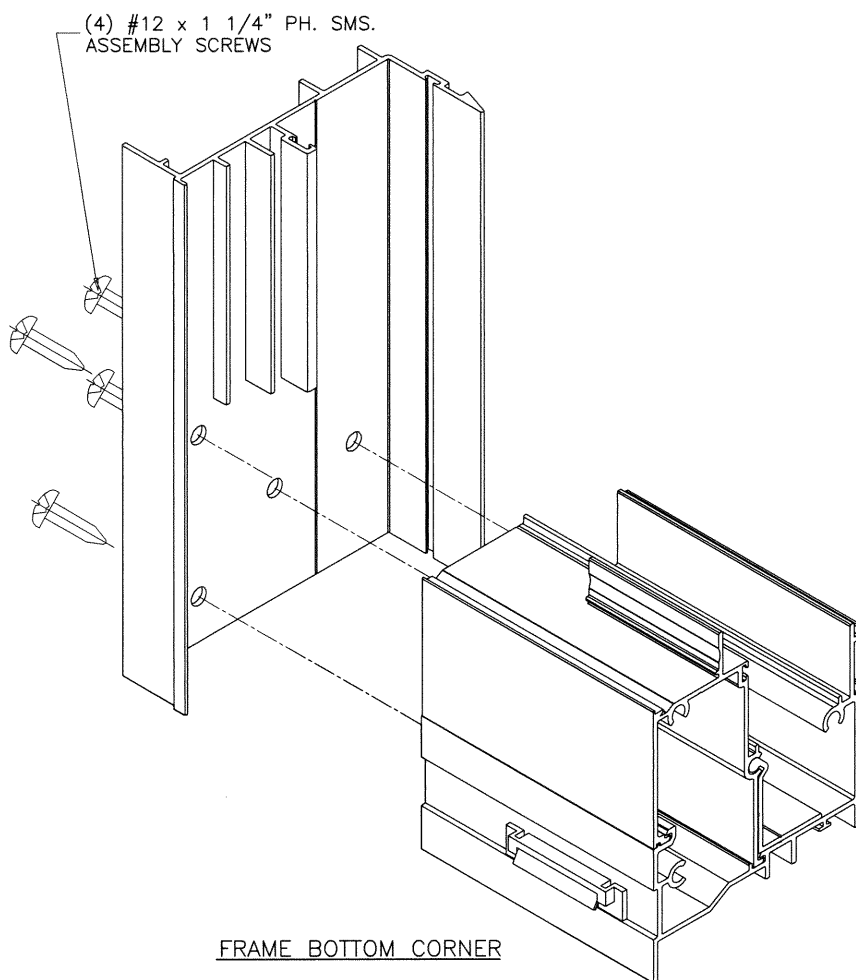
FRAME TOP CORNER



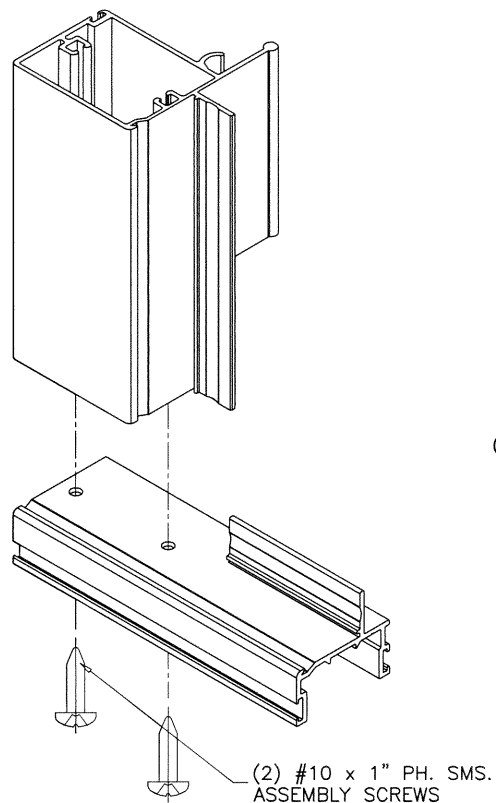
VENT TOP CORNER



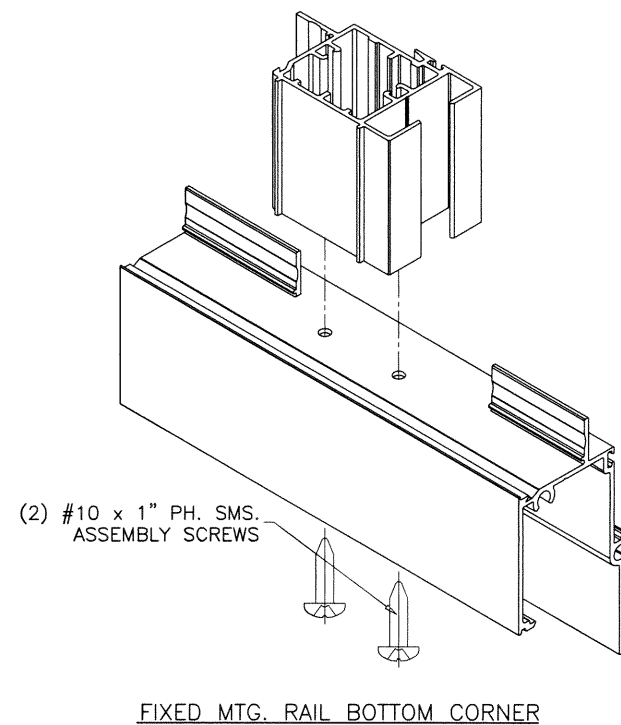
FIXED MTG. RAIL TOP CORNER



FRAME BOTTOM CORNER



VENT BOTTOM CORNER



FIXED MTG. RAIL BOTTOM CORNER

Sealed: 10/14/2020

FL #21850



**af c**  
**AL-FAROOQ CORPORATION**  
 ENGINEERS & PRODUCT DEVELOPMENT  
 9360 SUNSET DRIVE, SUITE 220 (C.A.N. 3538)  
 MIAMI, FLORIDA 33173  
 TEL. (305) 264-8100 FAX. (305) 262-6978  
 COMP-ANL \ W15-29TMW

SERIES 805 ALUM HORIZONTAL ROLLING WDW. (L.M.I.)  
**Assura Windows & Doors, LLC.**  
 1543 N. Powerline Road  
 Pompano Beach, Fl. 33069  
 Tel. (305) 887-2646 Fax. (-)

no	date	by	description

date: 06-29-15  
 scale: 1/2" = 1"  
 dr. by: TARIQ  
 chk. by:

drawing no.  
**W15-29**  
 sheet 7 of 7