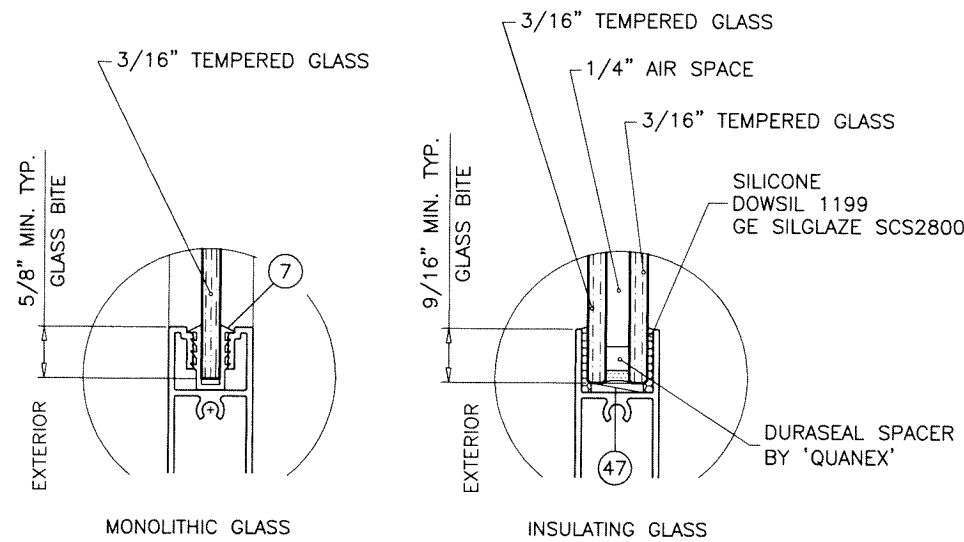


DAYLITE OPENINGS WIDTHS:
 PANEL WIDTH - 2.635"
 DAYLITE OPENING HEIGHT:
 PANEL HEIGHT - 4.375"
 PANEL HEIGHT = DOOR FRAME HEIGHT - 1.250"



GLAZING OPTIONS

DOORS NOT RATED FOR IMPACT.
 INSTALLATION OF THIS PRODUCT IN THE HVHZ AREA REQUIRES THE USE OF APPROVED SHUTTERS OR EXTERNAL PROTECTION DEVICES COMPLYING WITH HVHZ REQUIREMENTS.
 INSTALLATION OF THIS SYSTEM OUTSIDE THE HVHZ AREA SHALL MEET THE APPLICABLE REQUIREMENTS FOR WIND BORNE DEBRIS PROTECTION.

SERIES 4000 ALUMINUM SLIDING GLASS DOOR

DESIGN LOAD CAPACITY FOR DOORS TO BE AS PER CHARTS SHOWN ON SHEETS 4, 5 & 6.

THIS PRODUCT HAS BEEN DESIGNED AND TESTED TO COMPLY WITH THE REQUIREMENTS OF THE 2020 (7TH EDITION)/2023 (8TH EDITION) FLORIDA BUILDING CODE INCLUDING HIGH VELOCITY HURRICANE ZONE (HVHZ).

1BY OR 2BY WOOD BUCKS & BUCK FASTENERS BY OTHERS, MUST BE DESIGNED AND INSTALLED ADEQUATELY TO TRANSFER APPLIED PRODUCT LOADS TO THE BUILDING STRUCTURE.

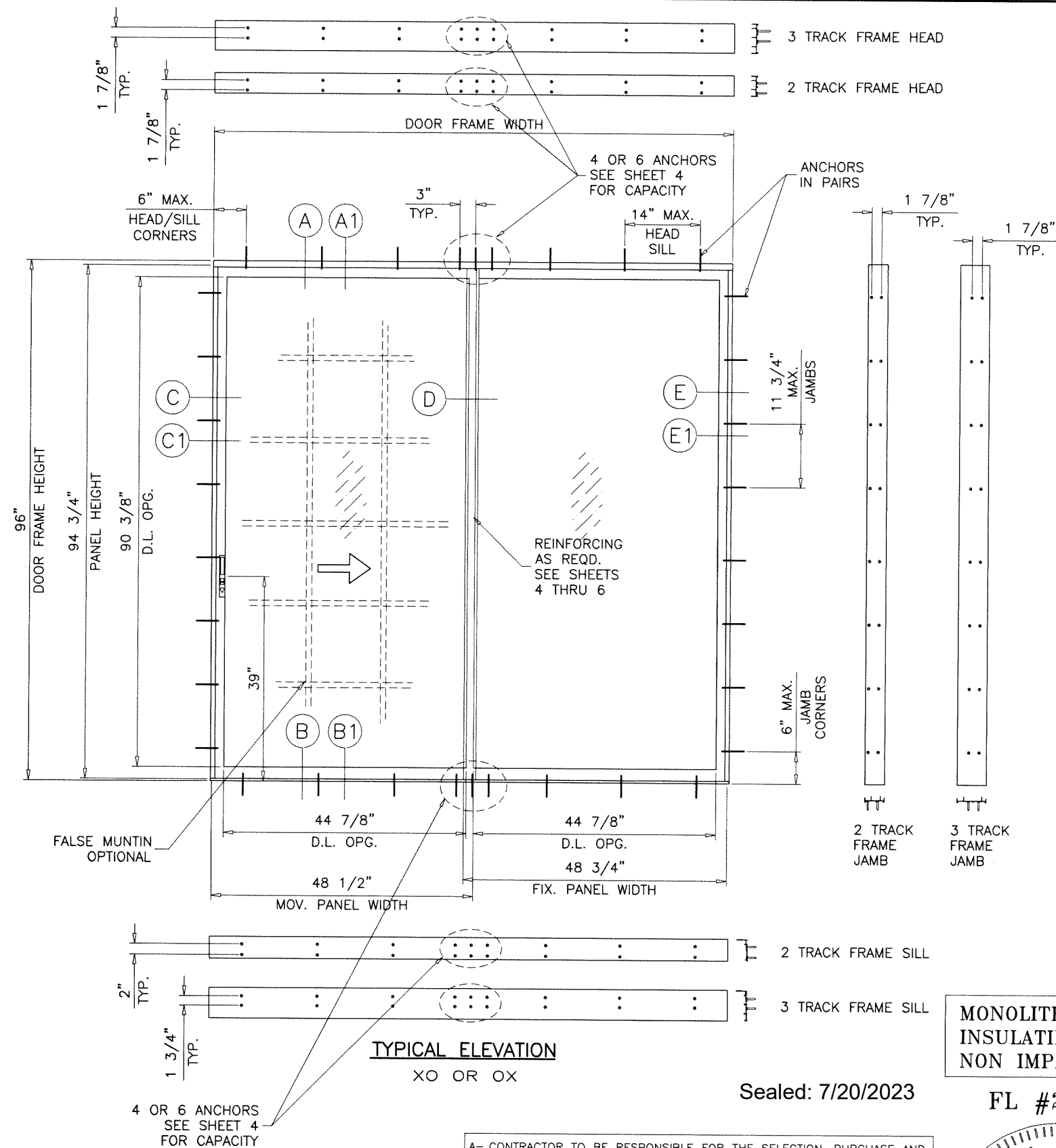
ANCHORS SHALL BE CORROSION RESISTANT, SPACED AS SHOWN ON DETAILS AND INSTALLED PER MANUF'S INSTRUCTIONS. SPECIFIED EMBEDMENT TO BASE MATERIAL SHALL BE BEYOND WALL DRESSING OR STUCCO.

A LOAD DURATION INCREASE IS USED IN DESIGN OF ANCHORS INTO WOOD ONLY.
 ALL SHIMS TO BE HIGH IMPACT, NON-METALLIC AND NON-COMPRESSIBLE.

MATERIALS INCLUDING BUT NOT LIMITED TO STEEL/METAL SCREWS, THAT COME INTO CONTACT WITH OTHER DISSIMILAR MATERIALS SHALL MEET THE REQUIREMENTS OF THE 2020/2023 FLORIDA BLDG. CODE & ADOPTED STANDARDS.

THIS PRODUCT APPROVAL IS GENERIC AND DOES NOT PROVIDE INFORMATION FOR A SITE SPECIFIC PROJECT, I.E. LIFE SAFETY OF THIS PRODUCT, ADEQUACY OF STRUCTURE RECEIVING THIS PRODUCT AND SEALING AROUND OPENING FOR WATER INFILTRATION RESISTANCE ETC.
 CONDITIONS NOT SHOWN IN THIS DRAWING ARE TO BE ANALYZED SEPARATELY, AND TO BE REVIEWED BY BUILDING OFFICIAL.

DESIGN LOADS SHOWN ARE BASED ON 'ALLOWABLE STRESS DESIGN (ASD)'.
 MANUFACTURER'S LABEL SHALL BE LOCATED ON A READILY VISIBLE LOCATION IN ACCORDANCE WITH SECTION 1709.9.3 OF FLORIDA BUILDING CODE.
 LABELING TO COMPLY WITH SECTION 1709.9.2.



TYPICAL ELEVATION
 XO OR OX

Sealed: 7/20/2023

**MONOLITHIC GLASS
 INSULATING GLASS
 NON IMPACT**

FL #21848



A- CONTRACTOR TO BE RESPONSIBLE FOR THE SELECTION, PURCHASE AND INSTALLATION OF THIS PRODUCT BASED ON THIS PRODUCT EVALUATION PROVIDED HE/SHE DOES NOT DEVIATE FROM THE CONDITIONS DETAILED ON THIS DOCUMENT.
 B- THIS PRODUCT EVALUATION DOCUMENT WILL BE CONSIDERED INVALID IF ALTERED BY ANY MEANS.
 C- SITE SPECIFIC PROJECTS SHALL BE PREPARED BY A FLORIDA REGISTERED ENGINEER OR ARCHITECT WHICH WILL BECOME THE ENGINEER OF RECORD (E.O.R.) FOR THE PROJECT AND WHO WILL BE RESPONSIBLE FOR THE PROPER USE OF THE P.E.D. ENGINEER OF RECORD, ACTING AS A DELEGATED ENGINEER TO THE P.E.D. ENGINEER SHALL SUBMIT TO THIS LATTER THE SITE SPECIFIC DRAWINGS FOR REVIEW.
 D- THIS P.E.D. SHALL BEAR THE DATE AND ORIGINAL SEAL AND SIGNATURE OF THE PROFESSIONAL ENGINEER OF RECORD THAT PREPARED IT.

(SEE SHEETS 4 & 5 FOR 2 TRACK SYSTEM)
 (SHEET 6 FOR 3 TRACK SYSTEM)

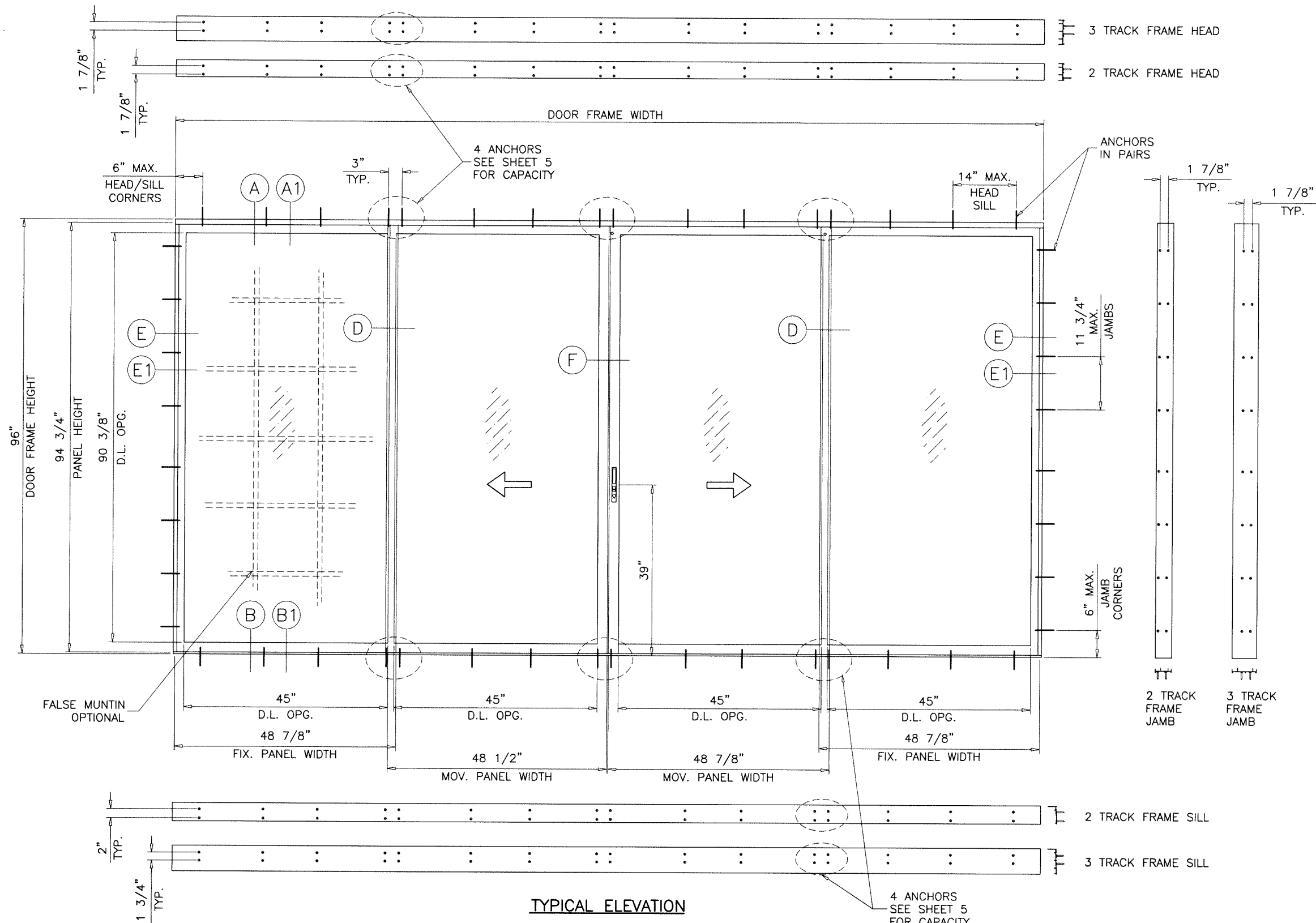
af c
AL-FAROOQ CORPORATION
 ENGINEERS & PRODUCT DEVELOPMENT
 9360 SUNSET DRIVE, SUITE 220 (C.A.N. 3538)
 MIAMI, FLORIDA 33173 TEL. (305) 262-6978 FAX. (305) 264-8100
 COMP-ANL\W15-61AWP

SERIES 4000 ALUM SLD. GLASS DOOR (N.I.)
Assura Windows & Doors, LLC.
 1543 N. Powerline Road
 Pompano Beach, FL. 33069
 Tel. (954) 781-4430 www.assurawindows.com

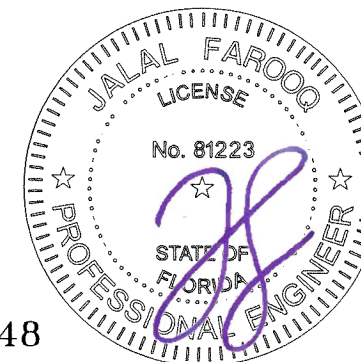
no	date	description	by
A	07.07.16	GENERAL REV.	
B	02.07.17	MANUF. NAME REV.	
C	10.09.17	UPDATED TO 2017 FBC	
D	09.23.20	UPDATED TO 2020 FBC	
E	07.14.23	UPDATED TO 2023 FBC	

date: 08-24-15
 scale: 1/2"=1'-0"
 dr. by: TARIQ
 chk. by:

drawing no.
W15-61
 sheet 1 of 13



TYPICAL ELEVATION
 OXXO
 (SEE SHEETS 4 & 5 FOR 2 TRACK SYSTEM)
 (SHEET 6 FOR 3 TRACK SYSTEM)



Sealed: 7/20/2023

FL #21848

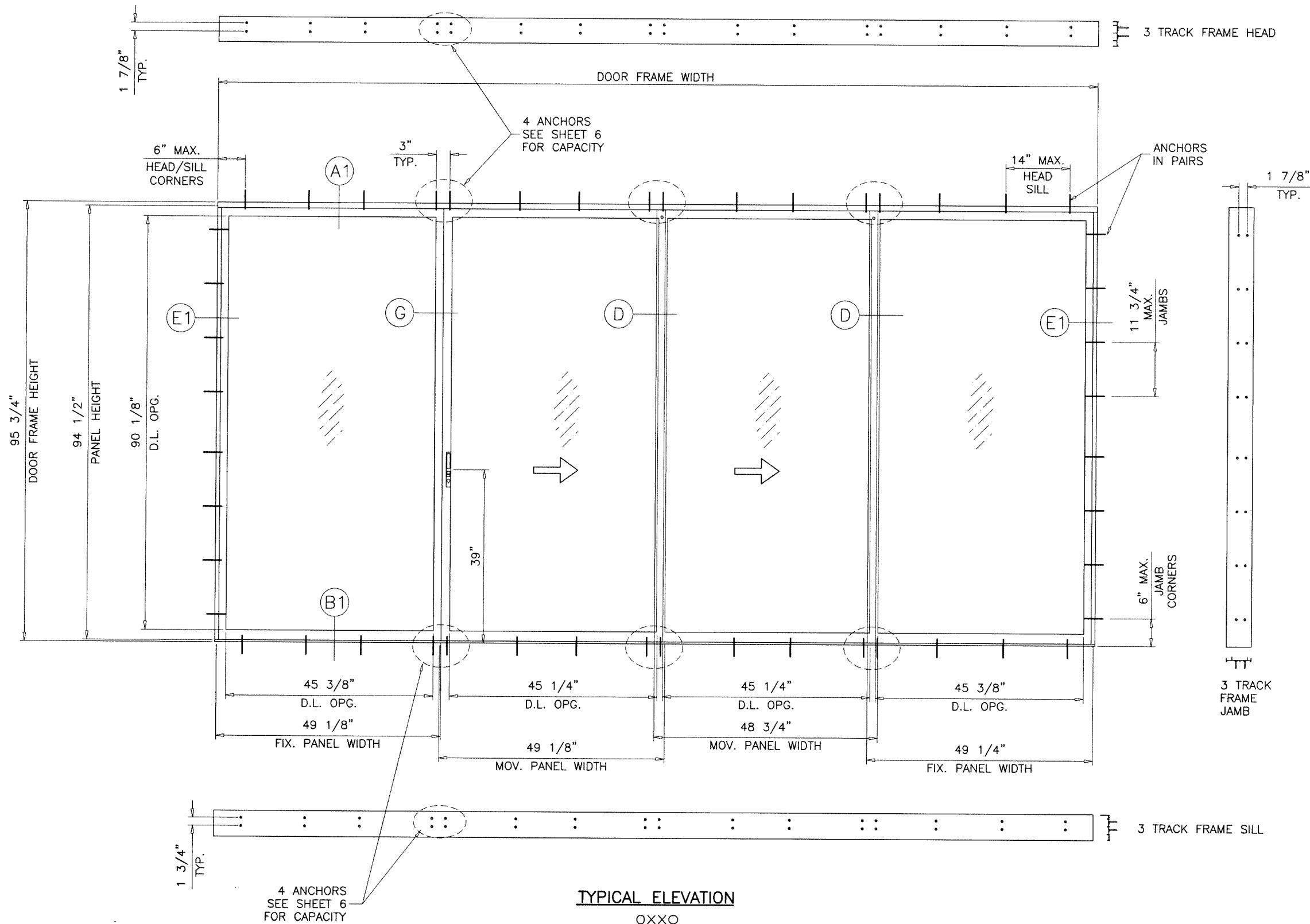
af c
AL-FAROOQ CORPORATION
 ENGINEERS & PRODUCT DEVELOPMENT
 9360 SUNSET DRIVE, SUITE 220
 MIAMI, FLORIDA 33173 (C.A.N. 3538)
 TEL. (305) 264-8100 FAX. (305) 262-6978
 COMP-ANL W15-61AWP

SERIES 4000 ALUM SLD. GLASS DOOR (N.I.)
Assura Windows & Doors, LLC.
 1543 N. Powerline Road
 Pompano Beach, FL 33069
 Tel. (954) 781-4430 www.assurawindows.com

no.	date	description

date: 08-24-15	scale: 1/2"=1'-0"
dr. by: TARIQ	chk. by:

drawing no.
W15-61
 sheet 2 of 13



TYPICAL ELEVATION
 OXXO
 (SEE SHEET 6 FOR 3 TRACK SYSTEM)

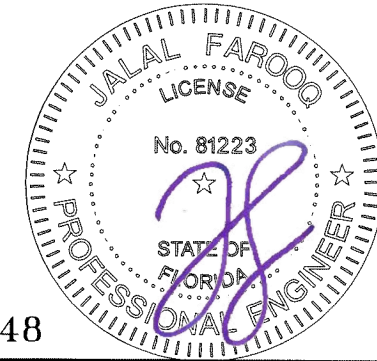
afc
AL-FAROOQ CORPORATION
 ENGINEERS & PRODUCT DEVELOPMENT
 9360 SUNSET DRIVE, SUITE 220
 MIAMI, FLORIDA 33173 (C.A.N. 353B)
 TEL. (305) 264-8100 FAX. (305) 262-6978
 COMP-ANL\W15-61AWP

SERIES 4000 ALUM SLD. GLASS DOOR (N.I.)
Assura Windows & Doors, LLC.
 1543 N. Powerline Road
 Pompano Beach, FL. 33069
 Tel. (954) 781-4430 www.assurawindows.com

no	date	by	description

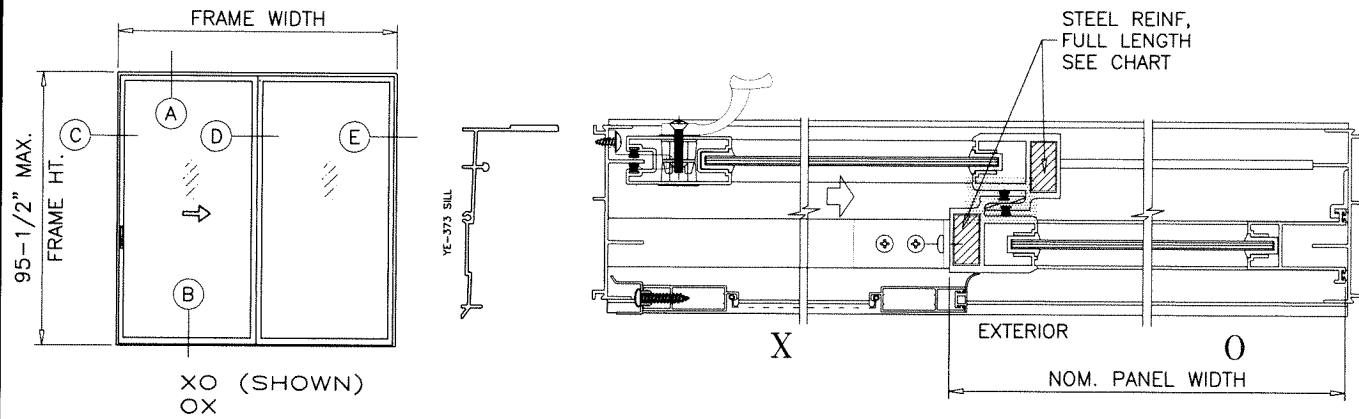
date: 08-24-15
 scale: 1/2"=1'-0"
 dr. by: TARIQ
 chk. by:

drawing no.
W15-61
 sheet 3 of 13



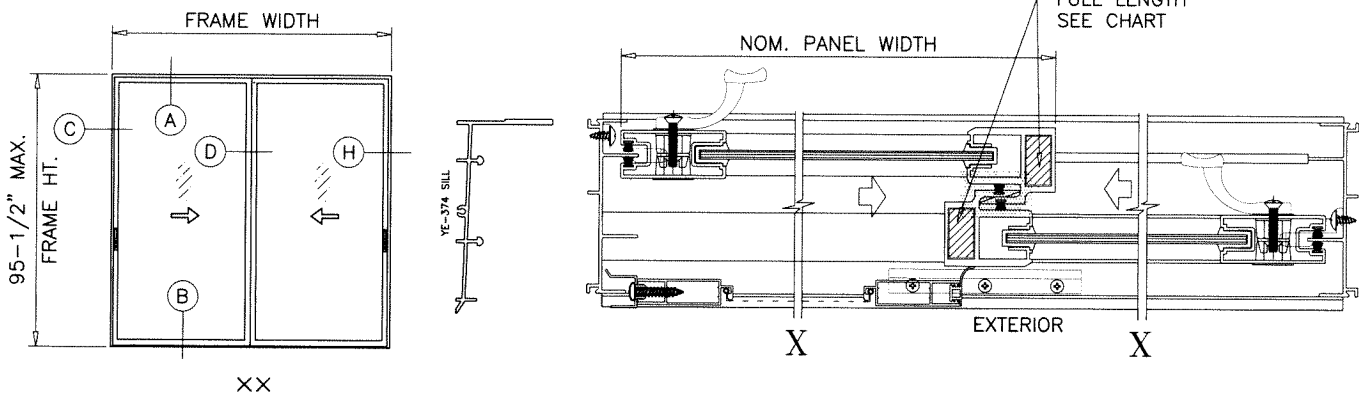
Sealed: 7/20/2023

FL #21848



DESIGN LOAD CAPACITY - PSF
XO OR OX DOORS ONLY (WITH REINFORCING)

PANEL WIDTH NOMINAL INCHES	DOOR FRAME HEIGHT INCHES	MONOLITHIC GLASS				INSULATING GLASS			
		4 ANCHORS AT MTG. STILE ENDS		6 ANCHORS AT MTG. STILE ENDS		4 ANCHORS AT MTG. STILE ENDS		6 ANCHORS AT MTG. STILE ENDS	
		EXT. (+)	INT. (-)	EXT. (+)	INT. (-)	EXT. (+)	INT. (-)	EXT. (+)	INT. (-)
24	81-1/4	55.3	96.3	55.3	105.4	53.3	93.8	53.3	93.8
30		55.3	80.6	55.3	88.1	53.3	78.5	53.3	78.5
36		55.3	70.3	55.3	76.9	53.3	68.5	53.3	68.5
42		55.3	63.3	55.3	68.6	53.3	60.8	53.3	60.8
48		55.3	58.3	50.0	60.0	53.2	53.2	53.2	53.2
54		44.4	53.3	44.4	53.3	47.3	47.3	47.3	47.3
24	82	55.3	95.3	55.3	105.2	53.3	93.7	53.3	93.7
30		55.3	79.7	55.3	88.0	53.3	78.3	53.3	78.3
36		55.3	69.5	55.3	76.7	53.3	68.3	53.3	68.3
42		55.3	62.5	55.3	68.6	53.3	60.8	53.3	60.8
48		55.3	57.5	50.0	60.0	53.2	53.2	53.2	53.2
54		44.4	53.3	44.4	53.3	47.3	47.3	47.3	47.3
24	95-1/2	55.3	79.9	55.3	102.8	53.3	79.9	53.3	91.5
30		55.3	66.3	55.3	85.3	53.3	66.3	53.3	75.9
36		55.3	57.4	55.3	73.8	53.3	57.4	53.3	65.7
42		51.2	51.2	54.8	65.8	51.2	51.2	53.3	58.6
48		46.0	46.0	50.0	60.0	46.0	46.0	53.2	53.2



DESIGN LOAD CAPACITY - PSF
XX DOORS ONLY (WITH REINFORCING)

PANEL WIDTH NOMINAL INCHES	DOOR FRAME HEIGHT INCHES	MONOLITHIC GLASS			
		4 ANCHORS AT MTG. STILE ENDS		6 ANCHORS AT MTG. STILE ENDS	
		EXT. (+)	INT. (-)	EXT. (+)	INT. (-)
24	81-1/4	55.3	96.3	55.3	105.4
30		55.3	80.6	55.3	88.1
36		55.3	70.3	55.3	76.9
42		55.3	63.3	55.3	68.6
48		55.3	58.3	50.0	60.0
54		44.4	53.3	44.4	53.3
24	82	55.3	95.3	55.3	105.2
30		55.3	79.7	55.3	88.0
36		55.3	69.5	55.3	76.7
42		55.3	62.5	55.3	68.6
48		55.3	57.5	50.0	60.0
54		44.4	53.3	44.4	53.3
24	95-1/2	55.3	79.9	55.3	102.8
30		55.3	66.3	55.3	85.3
36		55.3	57.4	55.3	73.8
42		51.2	51.2	54.8	65.8
48		46.0	46.0	50.0	60.0

DOORS WITH 3" SILL HEIGHTS ARE APPROVED FOR WATER INFILTRATION RESISTANCE
SEE CHARTS ABOVE FOR CAPACITY.
DOORS WITH 2" SILL HEIGHTS NOT APPROVED FOR WATER RESISTANCE
SEE SHEET 7 FOR DETAILS

DOOR HEIGHT AND WIDTH SIZE MUST COMPLY EGRESS REQUIREMENTS PER FBC AS APPLICABLE.

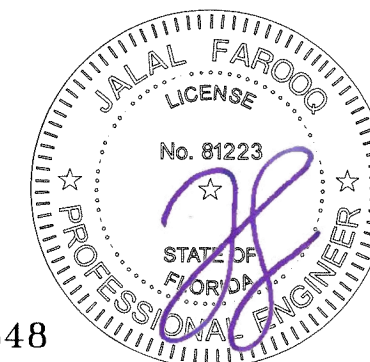
CONFIGURATIONS SHOWN FOR ILLUSTRATION PURPOSE ONLY
(SEE APPLICABLE ANCHOR INSTALLATIONS IN SHEETS 7 & 8)

NOTE:
GLASS CAPACITIES ON THIS SHEET ARE
BASED ON ASTM E1300-09 (3 SEC. GUSTS)
AND FLORIDA BUILDING COMMISSION
DECLARATORY STATEMENT DCA05-DEC-219

APPROVED CONFIGURATIONS
2 TRACKS

Sealed: 7/20/2023

FL #21848

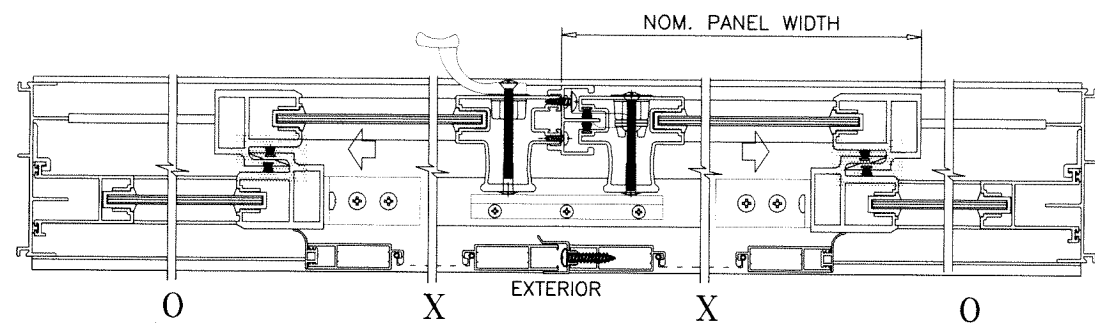
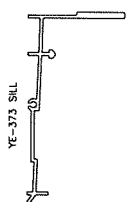
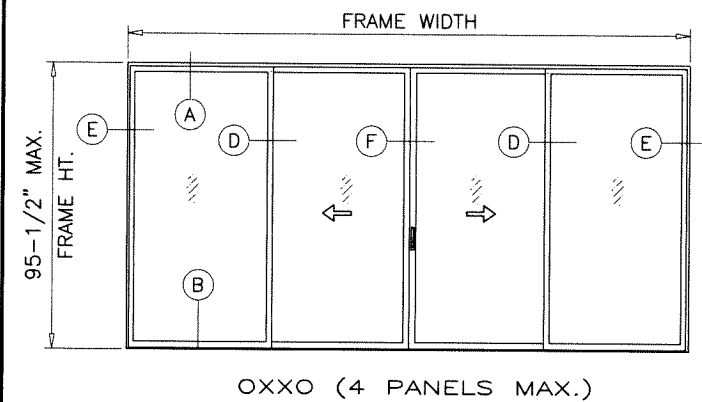
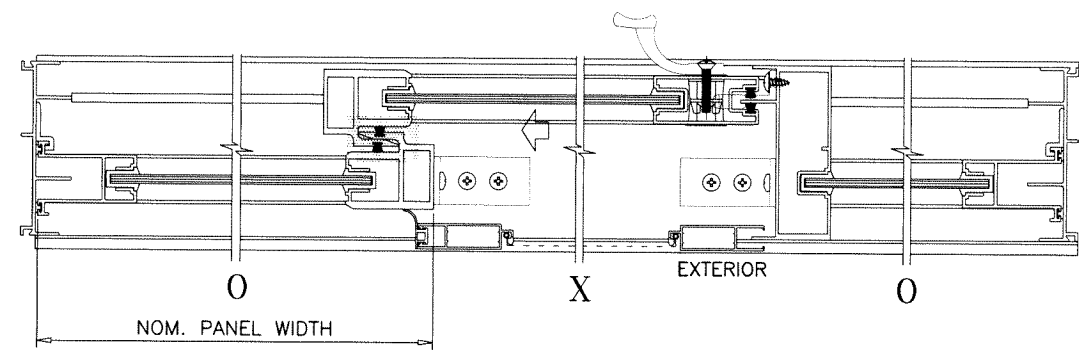
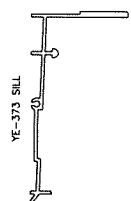
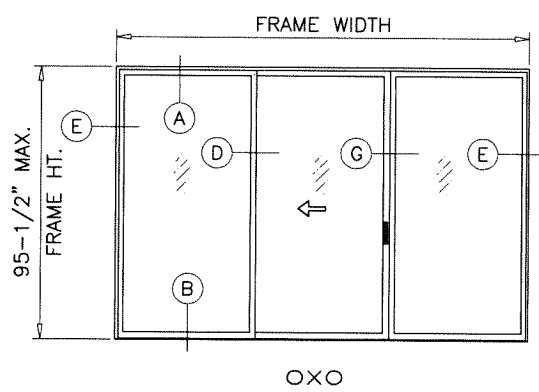
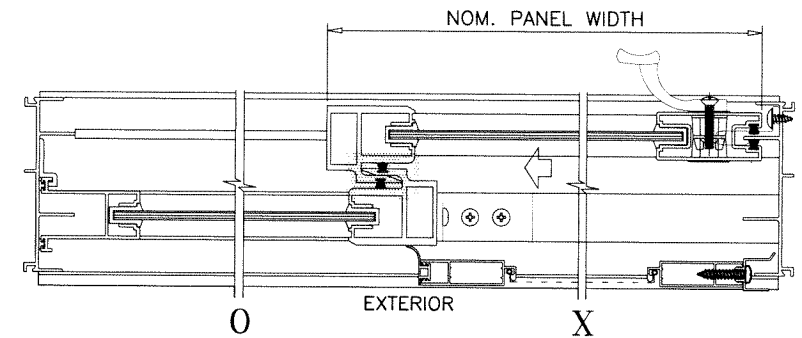
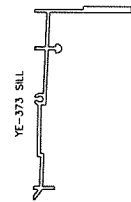
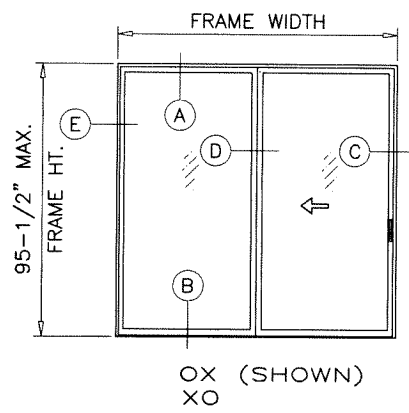


afc

AL-FAROOQ CORPORATION
ENGINEERS & PRODUCT DEVELOPMENT
9360 SUNSET DRIVE, SUITE 220
MIAMI, FLORIDA 33173 (C.A.N. 353B)
TEL. (305) 264-8100 FAX. (305) 262-6978
COMP-ANL\W15-61AWP

SERIES 4000 ALUM SLD. GLASS DOOR (N.I.)
Assura Windows & Doors, LLC.
1543 N. Powerline Road
Pompano Beach, FL. 33069
Tel. (954) 781-4430 www.assurawindows.com

revisions:	no	date	by	description
date:	08-24-15	scale:	-	dr. by: TARIQ
chk. by:				
drawing no.	W15-61			
sheet	4 of 13			



DESIGN LOAD CAPACITY - PSF WITHOUT REINFORCING			
PANEL WIDTH NOMINAL INCHES	DOOR FRAME HEIGHT INCHES	MONOLITHIC GLASS INSULATING GLASS	
		4 ANCHORS AT MTG. STILE ENDS	
		EXT. (+)	INT. (-)
24	81-1/4	46.0	81.1
30		46.0	67.8
36		46.0	59.2
42		46.0	52.7
48		46.0	46.1
54		41.0	41.0
24	82	46.0	80.9
30		46.0	67.6
36		46.0	59.0
42		46.0	52.7
48		46.0	46.1
54		41.0	41.0
24	95-1/2	46.0	79.0
30		46.0	65.6
36		46.0	56.7
42		46.0	50.6
48		46.0	46.1

CHART ABOVE APPLIES TO ALL DOOR CONFIGURATIONS SHOWN ON THIS SHEET (I.E. XO, OX, OXO, OXXO ETC.)

DOORS WITH 3" SILL HEIGHTS ARE APPROVED FOR WATER INFILTRATION RESISTANCE SEE CHARTS ABOVE FOR CAPACITY.
DOORS WITH 2" SILL HEIGHTS NOT APPROVED FOR WATER RESISTANCE SEE SHEET 7 FOR DETAILS

DOOR HEIGHT AND WIDTH SIZE MUST COMPLY EGRESS REQUIREMENTS PER FBC AS APPLICABLE.

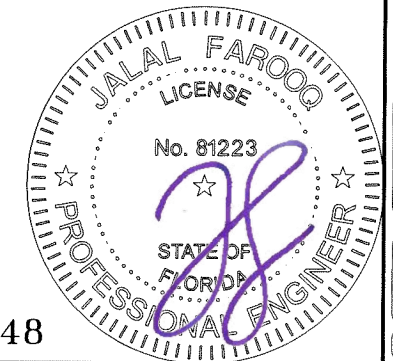
CONFIGURATIONS SHOWN FOR ILLUSTRATION PURPOSE ONLY (SEE APPLICABLE ANCHOR INSTALLATIONS IN SHEETS 7 & 8)

**APPROVED CONFIGURATIONS
2 TRACKS**

NOTE:
GLASS CAPACITIES ON THIS SHEET ARE BASED ON ASTM E1300-09 (3 SEC. GUSTS) AND FLORIDA BUILDING COMMISSION DECLARATORY STATEMENT DCA05-DEC-219

Sealed: 7/20/2023

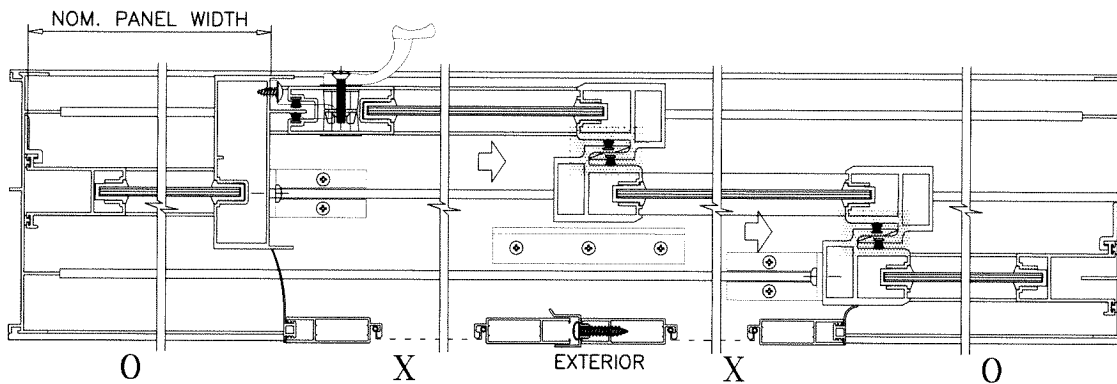
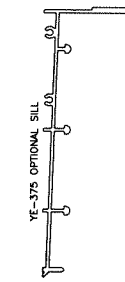
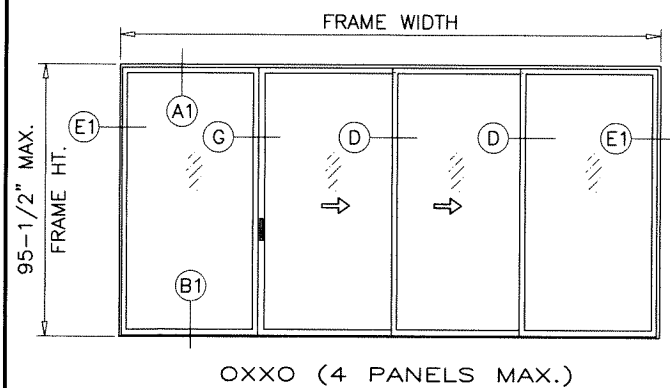
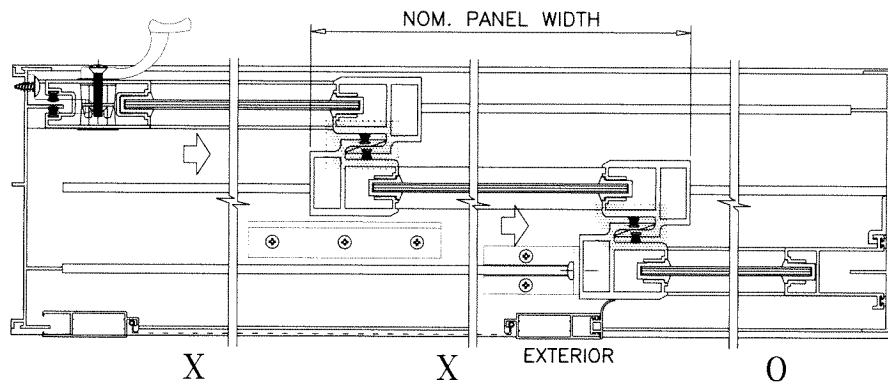
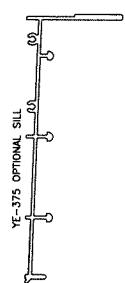
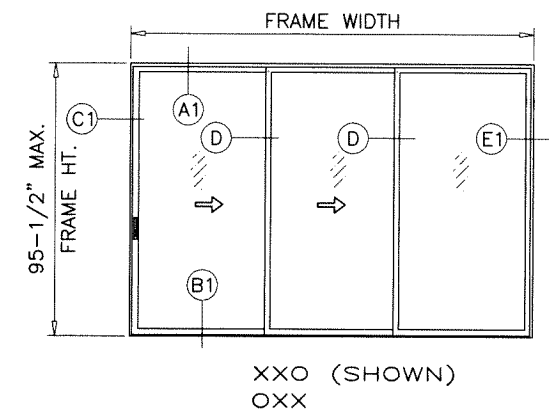
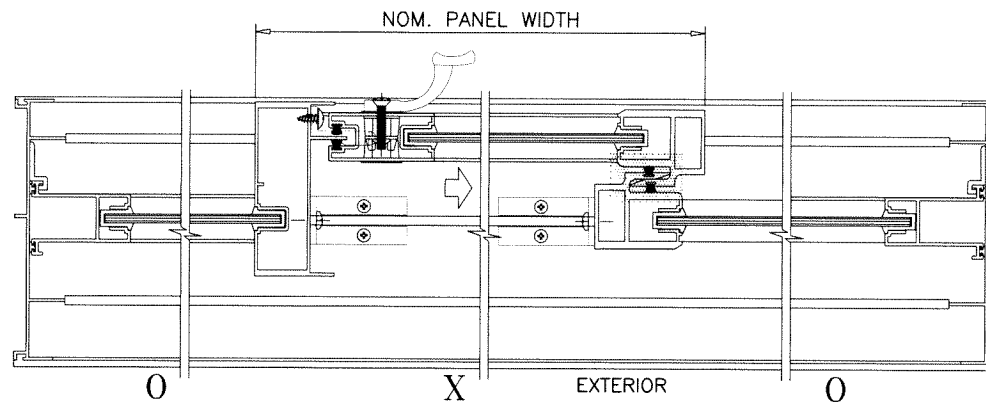
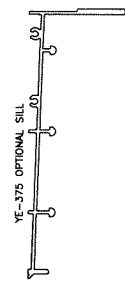
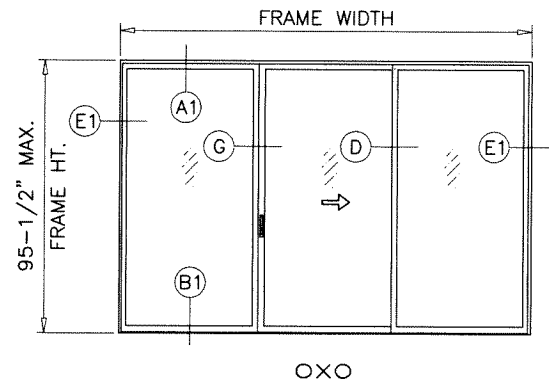
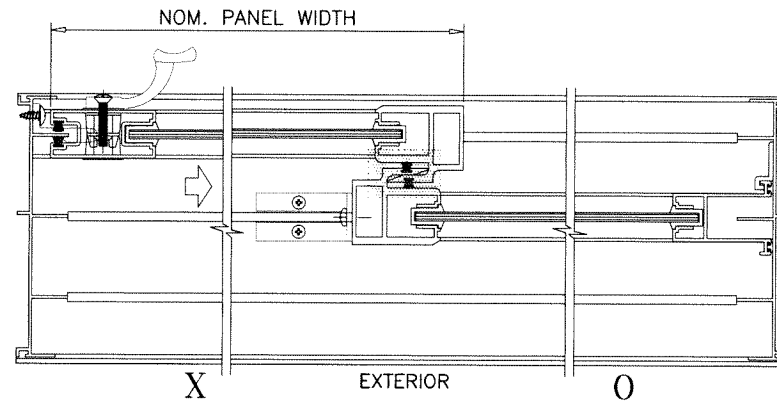
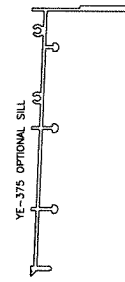
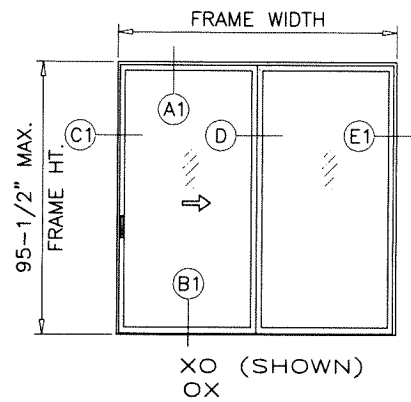
FL #21848



AL-FAROOQ CORPORATION
ENGINEERS & PRODUCT DEVELOPMENT
9360 SUNSET DRIVE, SUITE 220
MIAMI, FLORIDA 33173
TEL. (305) 264-8100 FAX. (305) 262-6978
COMP-ANL\W15-61AWP

SERIES 4000 ALUM SLD. GLASS DOOR (N.I.)
Assura Windows & Doors, LLC.
1543 N. Powerline Road
Pompano Beach, FL. 33069
Tel. (954) 781-4430 www.assurawindows.com

revisions:	no	date	by	description
date:	08-24-15	scale:	-	
dr. by:	TARIQ	chk. by:		
drawing no.	W15-61			
sheet	5 of 13			



DESIGN LOAD CAPACITY - PSF WITHOUT REINFORCING			
PANEL WIDTH NOMINAL INCHES	DOOR FRAME HEIGHT INCHES	MONOLITHIC GLASS INSULATING GLASS	
		4 ANCHORS AT MTG. STILE ENDS	
		EXT. (+)	INT. (-)
24	81-1/4	46.0	81.0
30		46.0	67.7
36		46.0	59.1
42		46.0	52.6
48		46.0	46.0
54		40.9	40.9
24	82	46.0	80.8
30		46.0	67.6
36		46.0	58.9
42		46.0	52.6
48		46.0	46.0
54		40.9	40.9
24	95-1/2	46.0	78.9
30		46.0	65.5
36		46.0	56.7
42		46.0	50.5
48		46.0	46.0

CHART ABOVE APPLIES TO ALL DOOR CONFIGURATIONS SHOWN ON THIS SHEET (I.E. XO, OX, OXO, XXO, OXX, OXXO ETC.)

DOORS WITH 3" SILL HEIGHTS ARE APPROVED FOR WATER INFILTRATION RESISTANCE SEE CHARTS ABOVE FOR CAPACITY. DOORS WITH 2" SILL HEIGHTS NOT APPROVED FOR WATER RESISTANCE SEE SHEET 7 FOR DETAILS

DOOR HEIGHT AND WIDTH SIZE MUST COMPLY EGRESS REQUIREMENTS PER FBC AS APPLICABLE.

CONFIGURATIONS SHOWN FOR ILLUSTRATION PURPOSE ONLY (SEE APPLICABLE ANCHOR INSTALLATIONS IN SHEETS 9 & 10)

APPROVED CONFIGURATIONS
3 TRACKS

Sealed: 7/20/2023

FL #21848



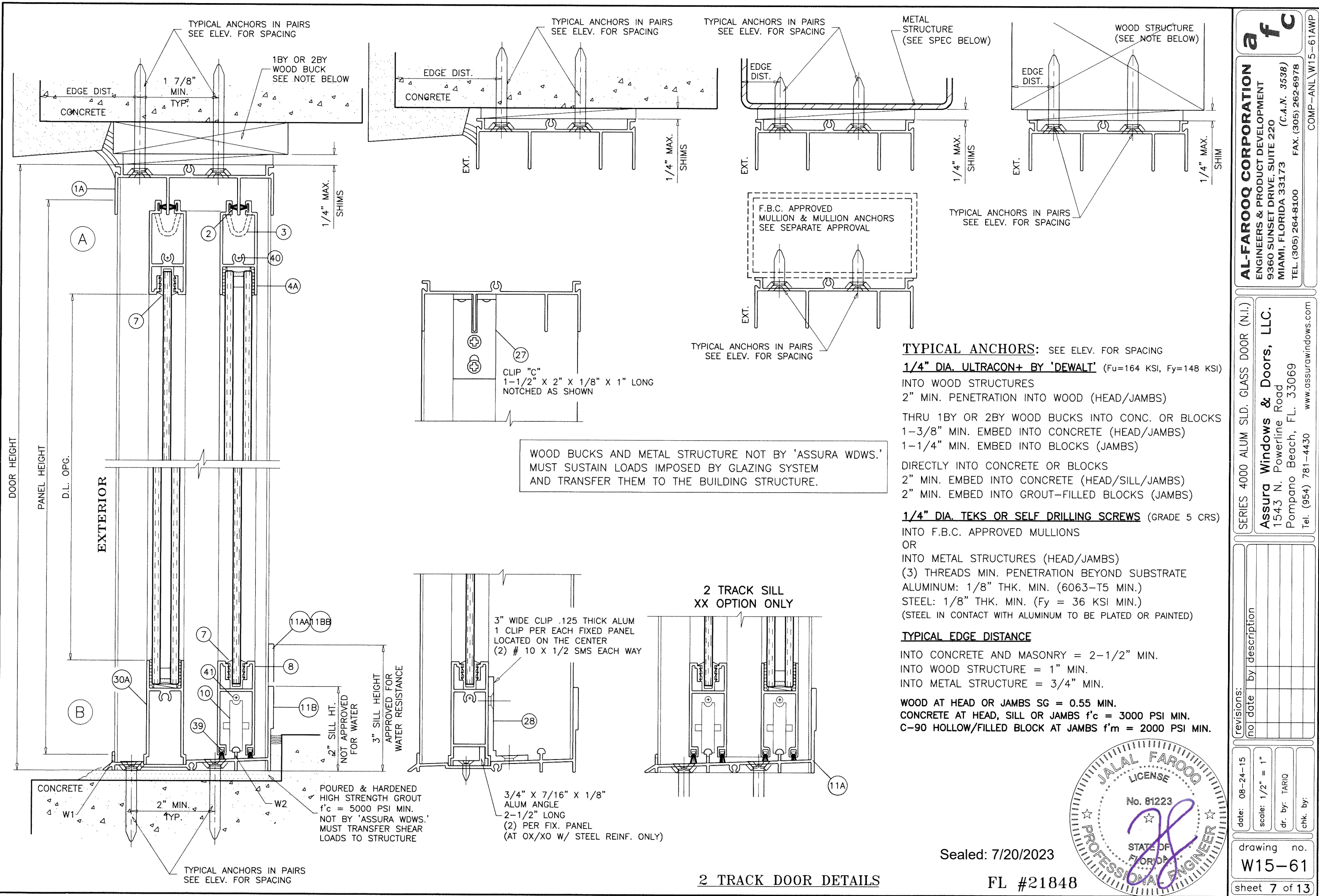
AL-FAROOQ CORPORATION
ENGINEERS & PRODUCT DEVELOPMENT
9360 SUNSET DRIVE, SUITE 220
MIAMI, FLORIDA 33173
TEL. (305) 264-8100 FAX. (305) 262-6978
COMP-ANL W15-61AWP

SERIES 4000 ALUM SLD. GLASS DOOR (N.I.)
Assura Windows & Doors, LLC.
1543 N. Powerline Road
Pompano Beach, FL. 33069
Tel. (954) 781-4430 www.assurawindows.com

revisions:	no	date	description

date:	08-24-15
scale:	-
dr. by:	TARIQ
chk. by:	

drawing no.	W15-61
sheet	6 of 13



af c

AL-FAROOQ CORPORATION
ENGINEERS & PRODUCT DEVELOPMENT
9360 SUNSET DRIVE, SUITE 220
MIAMI, FLORIDA 33173
TEL. (305) 264-8100 FAX. (305) 262-6978
COMP-ANL W15-61AWP

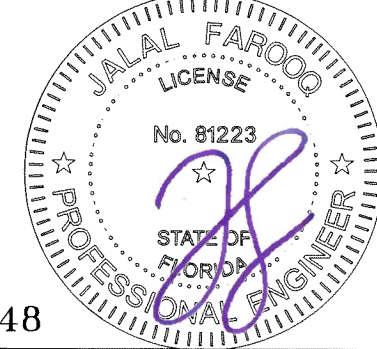
SERIES 4000 ALUM SLD. GLASS DOOR (N.I.)

Assura Windows & Doors, LLC.
1543 N. Powerline Road
Pompano Beach, FL. 33069
Tel. (954) 781-4430 www.assurawindows.com

revisions:	no	date	by	description

date: 08-24-15
scale: 1/2" = 1"
dr. by: TARIQ
chk. by:

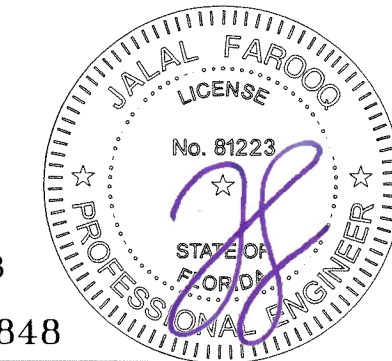
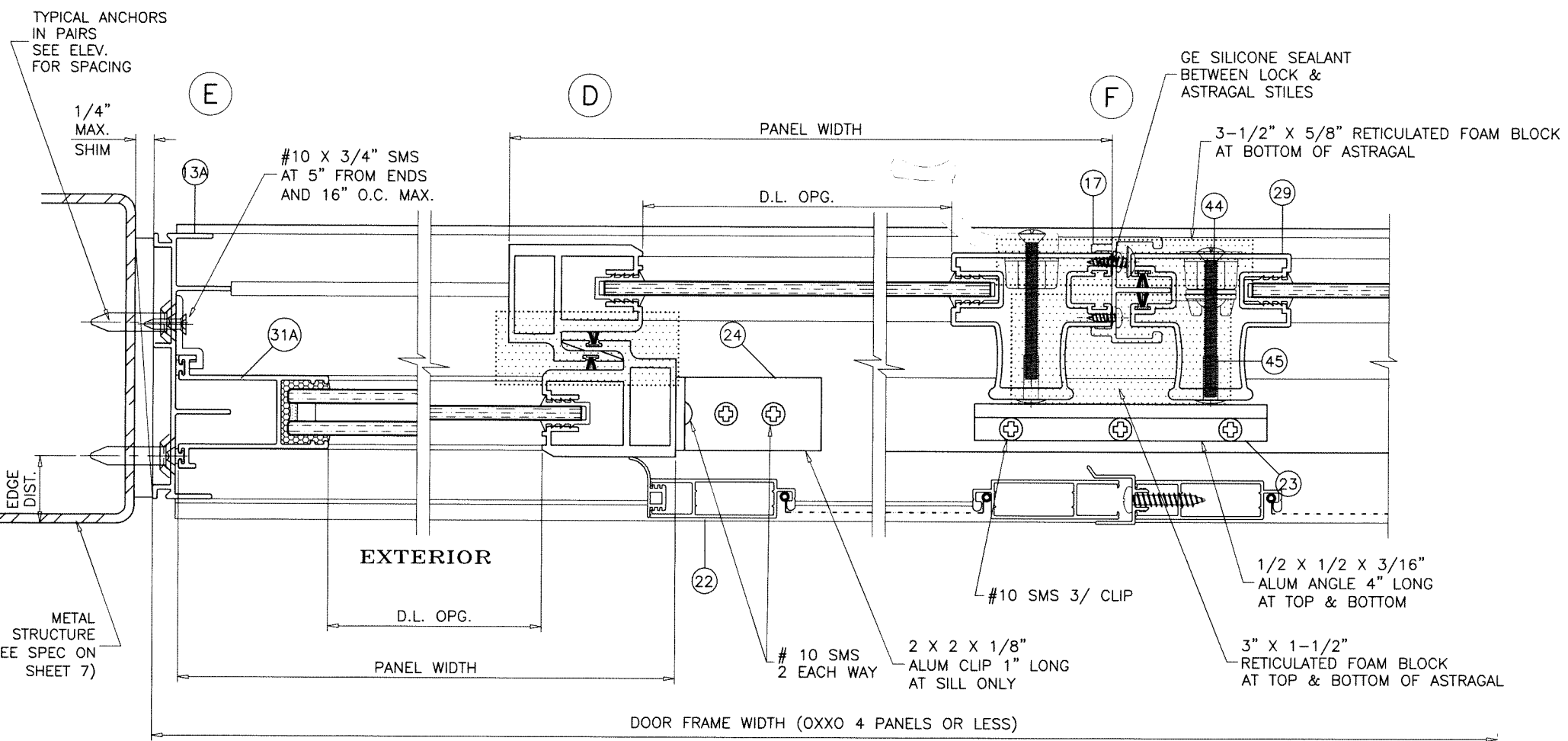
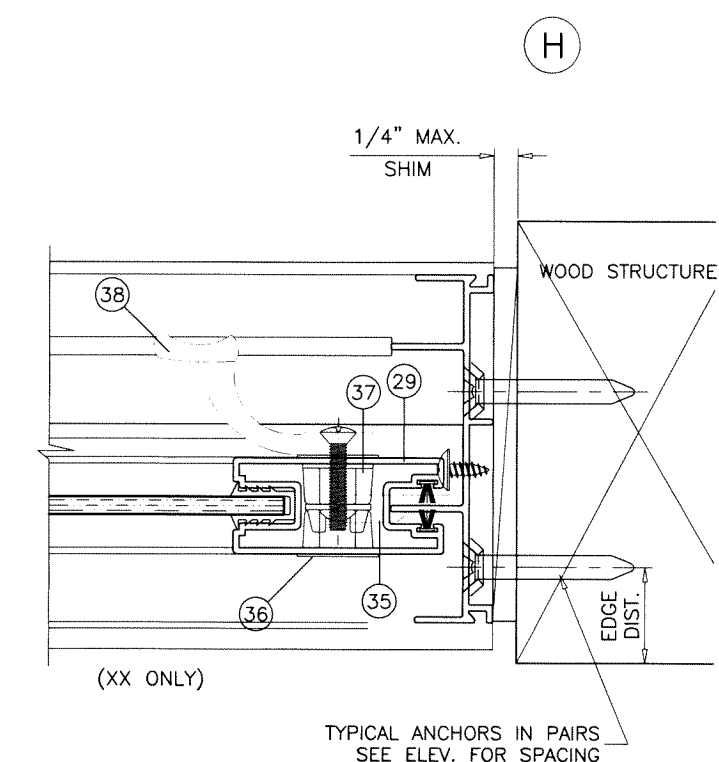
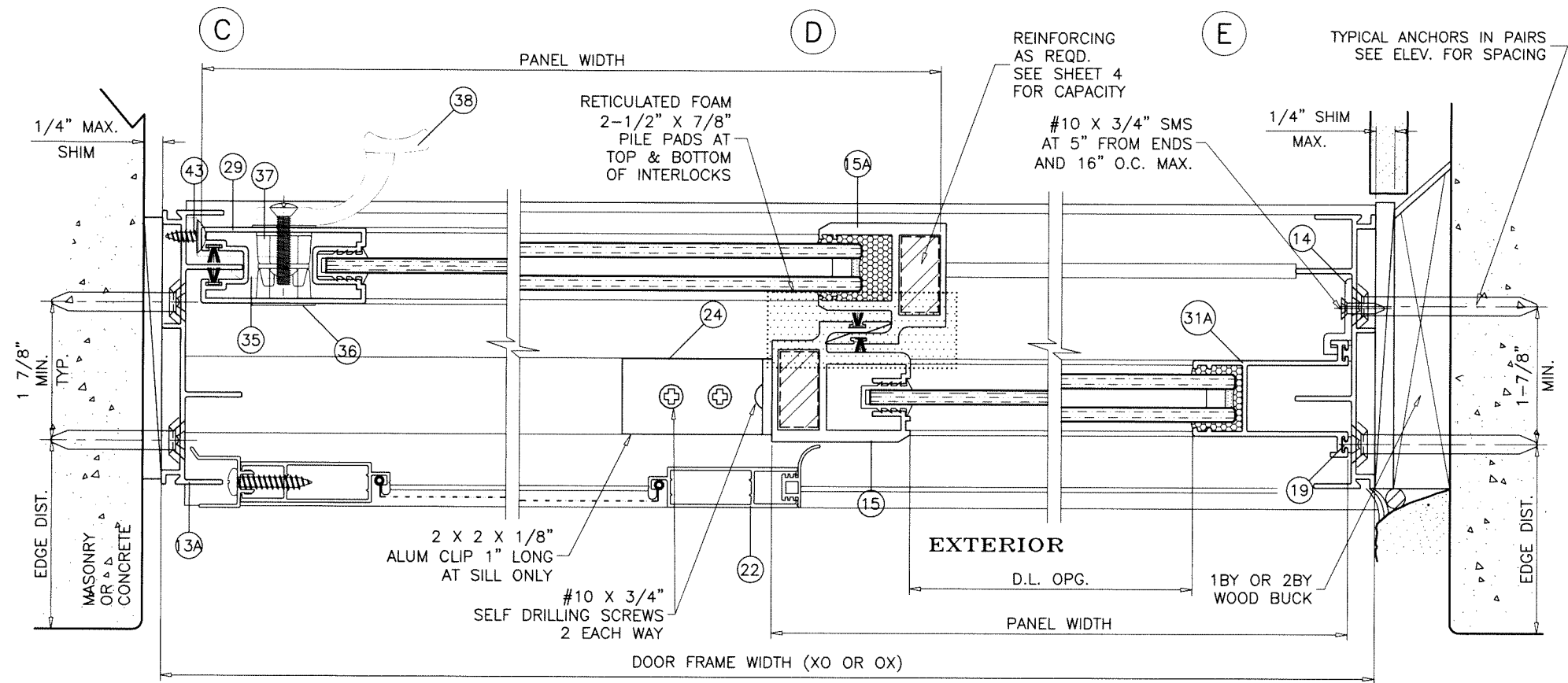
drawing no.
W15-61
sheet 7 of 13



Sealed: 7/20/2023

2 TRACK DOOR DETAILS

FL #21848



Sealed: 7/20/2023

2 TRACK DOOR DETAILS

FL #21848

af c

AL-FAROOQ CORPORATION
 ENGINEERS & PRODUCT DEVELOPMENT
 9360 SUNSET DRIVE, SUITE 220
 MIAMI, FLORIDA 33173 (C.A.N. 3538)
 TEL. (305) 264-8100 FAX. (305) 262-6978
 COMP-ANL W15-61AWP

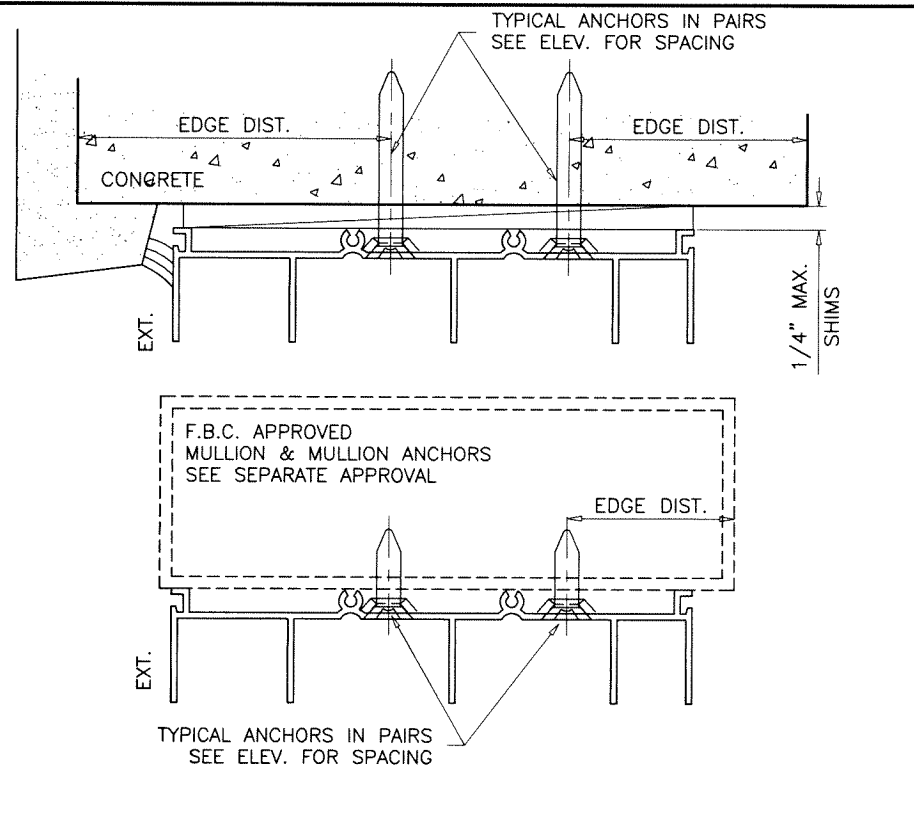
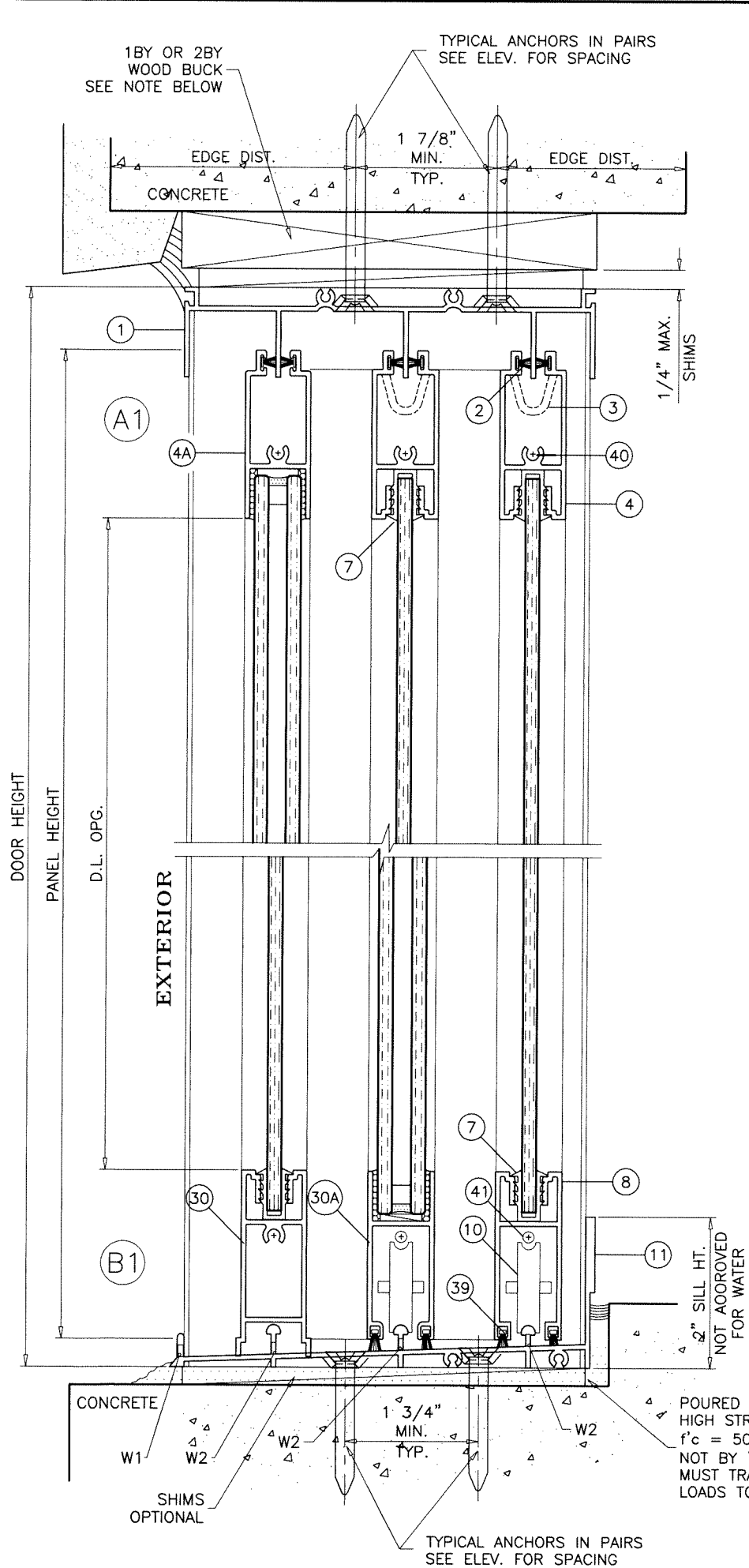
SERIES 4000 ALUM SLD. GLASS DOOR (N.I.)

Assura Windows & Doors, LLC.
 1543 N. Powerline Road
 Pompano Beach, FL. 33069
 Tel. (954) 781-4430 www.assurawindows.com

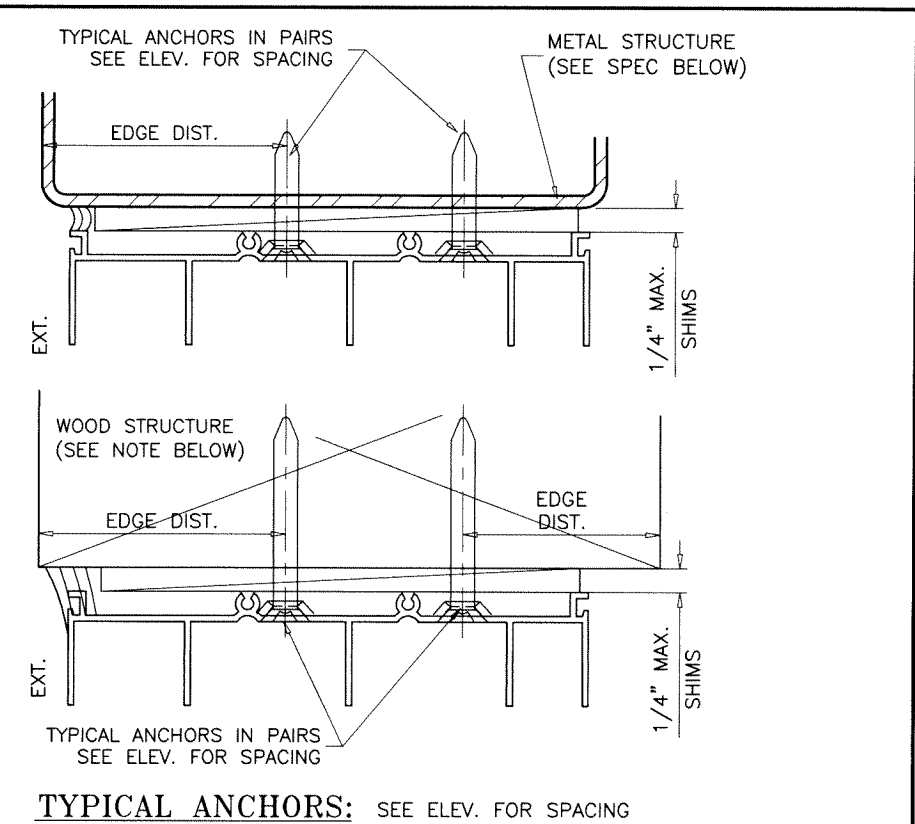
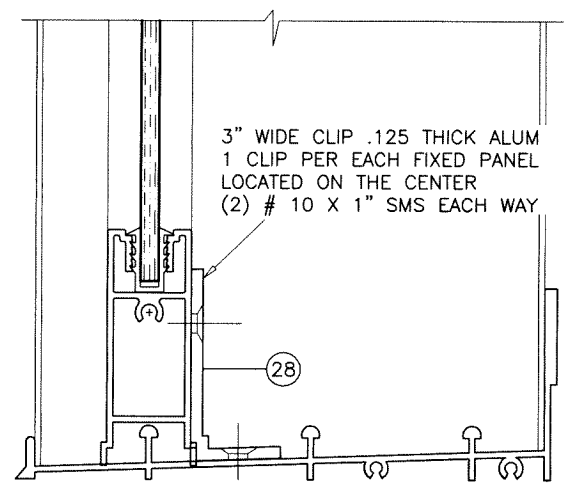
revisions:	no	date	by	description

date: 08-24-15
 scale: 1/2" = 1"
 dr. by: TARIQ
 chk. by:

drawing no.
W15-61
 sheet 8 of 13



WOOD BUCKS AND METAL STRUCTURE NOT BY 'ASSURA WDWS.' MUST SUSTAIN LOADS IMPOSED BY GLAZING SYSTEM AND TRANSFER THEM TO THE BUILDING STRUCTURE.



TYPICAL ANCHORS: SEE ELEV. FOR SPACING

1/4" DIA. ULTRACON+ BY 'DEWALT' (Fu=164 KSI, Fy=148 KSI)
 INTO WOOD STRUCTURES
 2" MIN. PENETRATION INTO WOOD (HEAD/JAMBS)
 THRU 1BY OR 2BY WOOD BUCKS INTO CONC. OR MASONRY
 1-3/8" MIN. EMBED INTO CONCRETE (HEAD)
 1-1/4" MIN. EMBED INTO CONC. OR MASONRY (JAMBS)

DIRECTLY INTO CONC. OR MASONRY
 2" MIN. EMBED INTO CONCRETE (HEAD/SILL)
 2" MIN. EMBED INTO GROUT-FILLED BLOCKS (JAMBS)

1/4" DIA. TEKS OR SELF DRILLING SCREWS (GRADE 5 CRS)
 INTO F.B.C. APPROVED MULLIONS (MIN. THK. = 1/8")
 INTO METAL STRUCTURES
 STEEL : 1/8" THK. MIN. (Fy = 36 KSI MIN.)
 ALUMINUM : 1/8" THK. MIN. (6063-T5 MIN.)
 (STEEL IN CONTACT WITH ALUMINUM TO BE PLATED OR PAINTED)

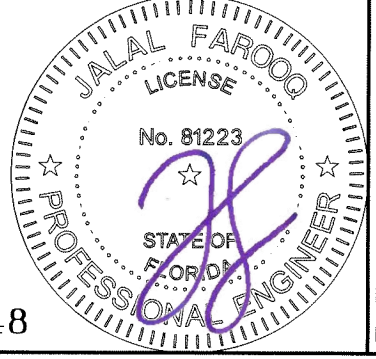
TYPICAL EDGE DISTANCE
 INTO CONCRETE AND MASONRY = 2-1/2" MIN.
 INTO WOOD STRUCTURE = 1" MIN.
 INTO METAL STRUCTURE = 3/4" MIN.

WOOD AT HEAD OR JAMBS SG = 0.55 MIN.
 CONCRETE AT HEAD, SILL OR JAMBS f'c = 3000 PSI MIN.
 C-90 HOLLOW/FILLED BLOCK AT JAMBS f'm = 2000 PSI MIN.

Sealed: 7/20/2023

3 TRACK DOOR DETAILS

FL #21848



af c

AL-FAROOQ CORPORATION
 ENGINEERS & PRODUCT DEVELOPMENT
 9360 SUNSET DRIVE, SUITE 220
 MIAMI, FLORIDA 33173 (C.A.N. 3538)
 TEL. (305) 264-8100 FAX. (305) 262-6978
 COMP-ANL W15-61AWP

SERIES 4000 ALUM SLD. GLASS DOOR (N.I.)

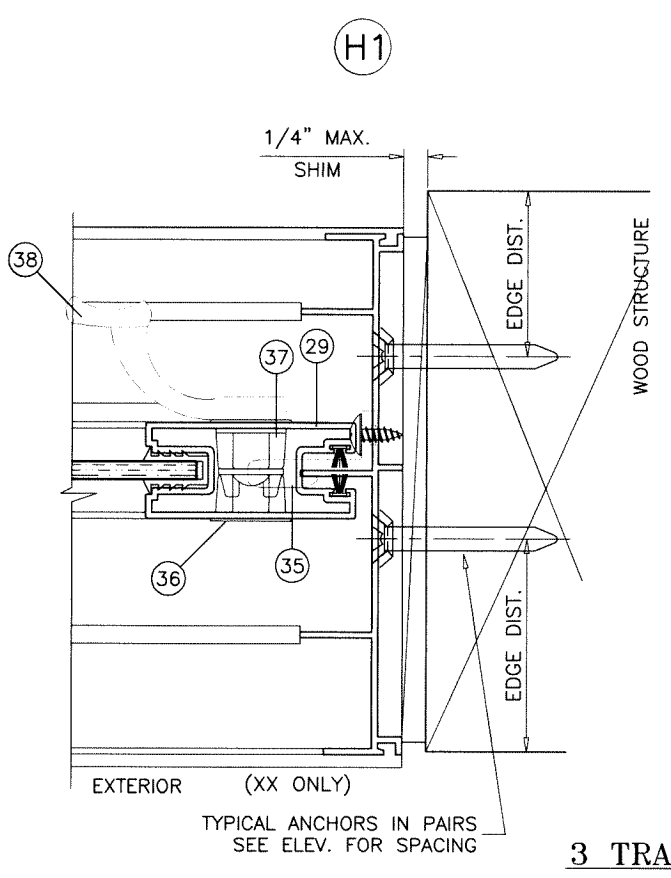
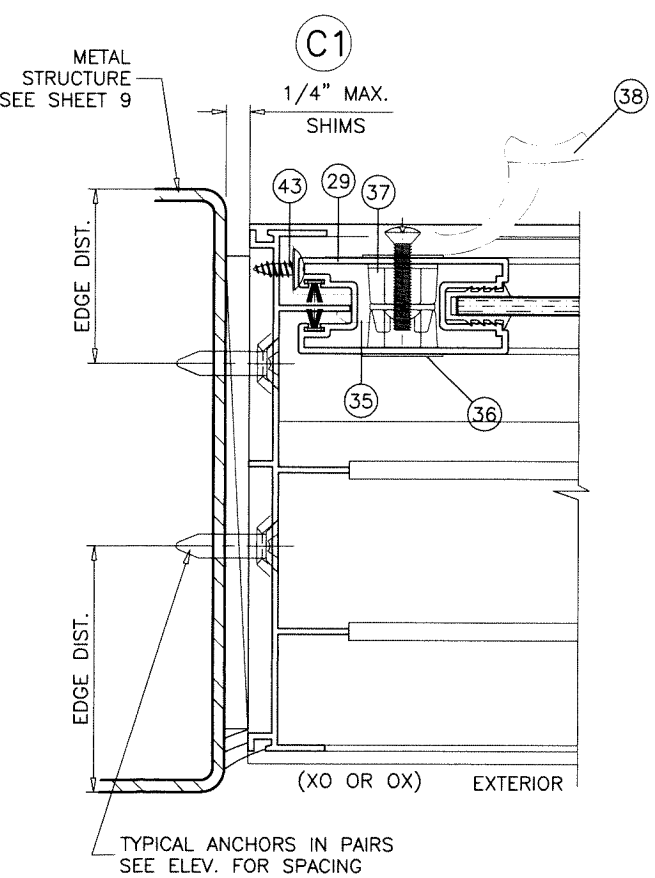
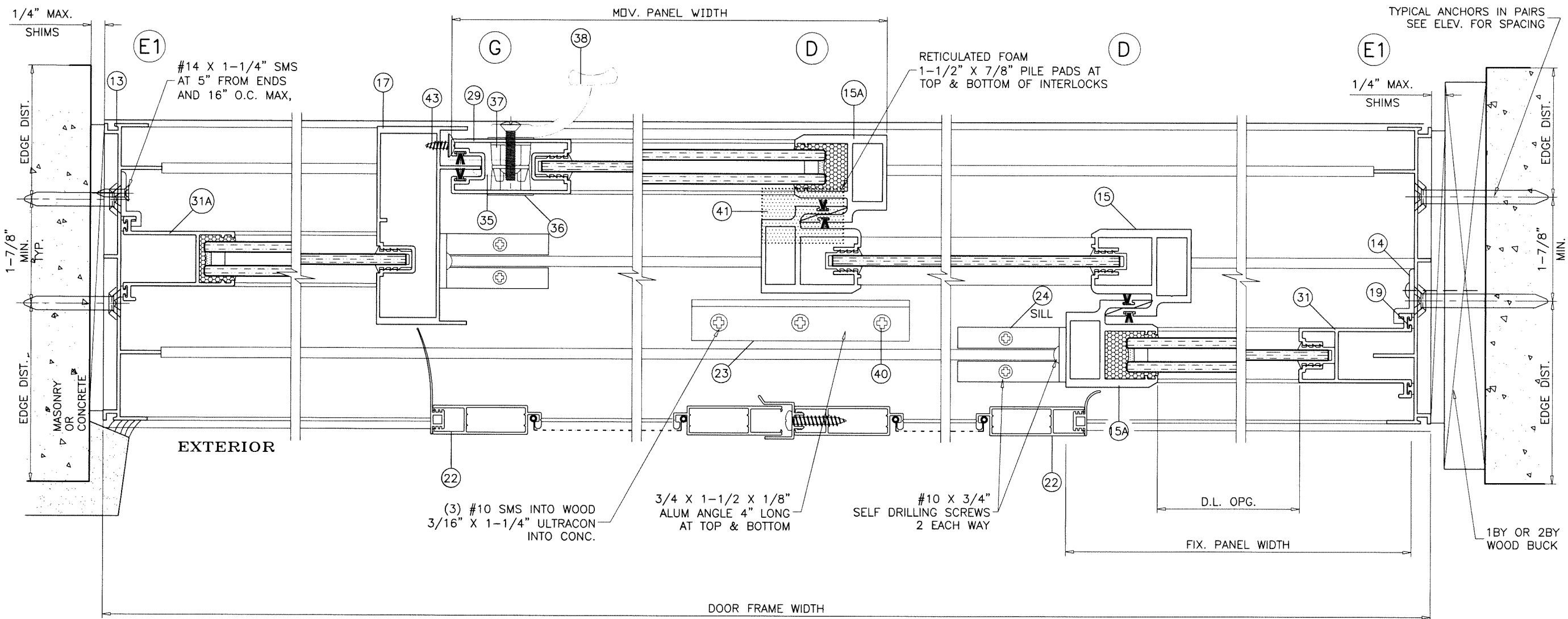
Assura Windows & Doors, LLC.
 1543 N. Powerline Road
 Pompano Beach, FL. 33069
 Tel. (954) 781-4430 www.assurawindows.com

revisions:	no	date	by	description

date: 08-24-15
 scale: 1/2" = 1"
 dr. by: TARIQ
 chk. by:

drawing no.
W15-61

sheet 9 of 13



3 TRACK DOOR DETAILS

Sealed: 7/20/2023

FL #21848



af c
AL-FAROOQ CORPORATION
 ENGINEERS & PRODUCT DEVELOPMENT
 9360 SUNSET DRIVE, SUITE 220
 MIAMI, FLORIDA 33173 (C.A.N. 353B)
 TEL. (305) 264-8100 FAX. (305) 262-6978
 COMP-ANL\W15-61AWP

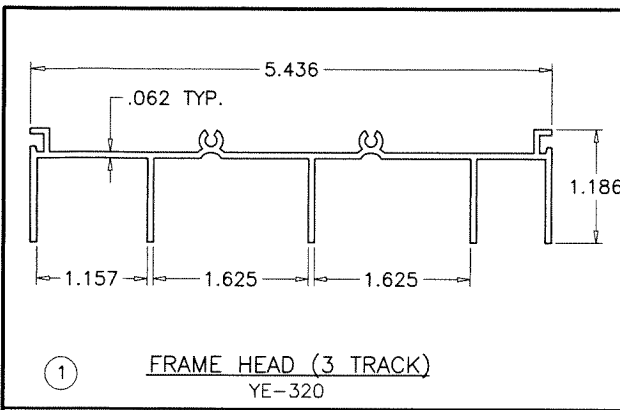
SERIES 4000 ALUM SLD. GLASS DOOR (N.I.)
Assura Windows & Doors, LLC.
 1543 N. Powerline Road
 Pompano Beach, FL. 33069
 Tel. (954) 781-4430 www.assurawindows.com

revisions:	no	date	by	description

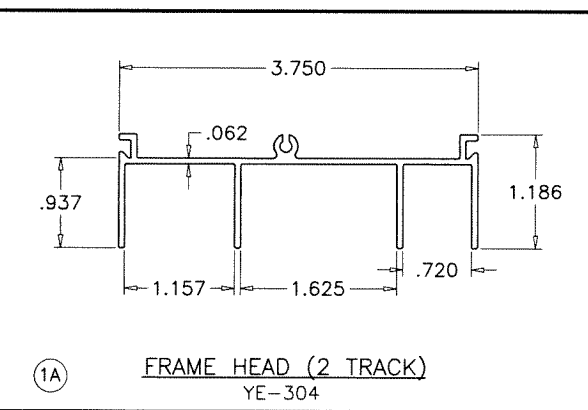
date: 08-24-15
 scale: 1/2" = 1"
 dr. by: TARIQ
 chk. by:

drawing no.
W15-61

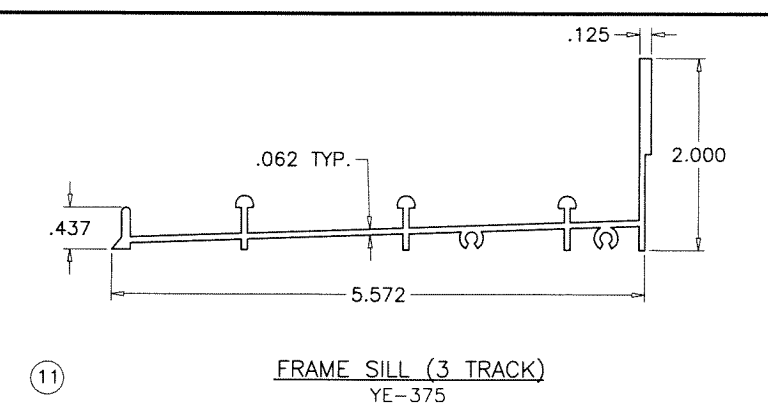
sheet 10 of 13



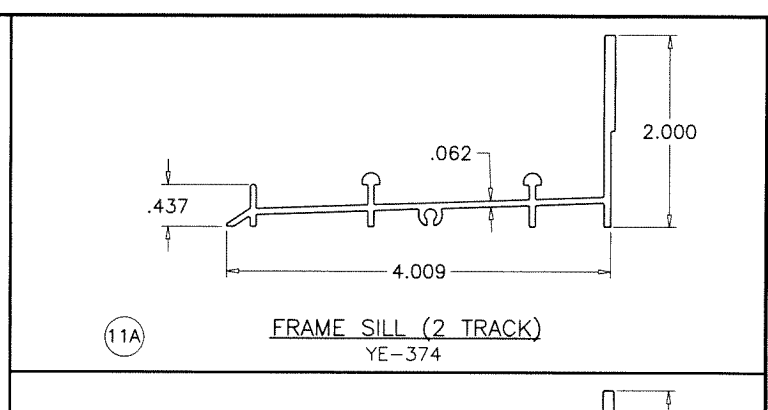
① **FRAME HEAD (3 TRACK)**
YE-320



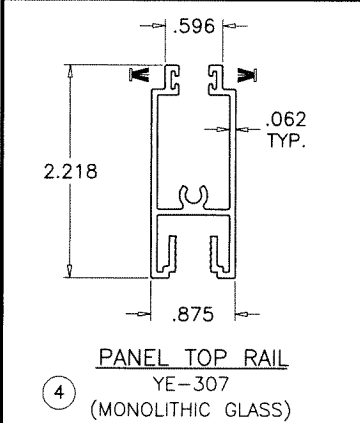
①A **FRAME HEAD (2 TRACK)**
YE-304



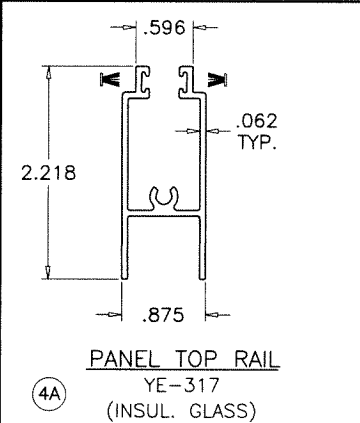
①① **FRAME SILL (3 TRACK)**
YE-375



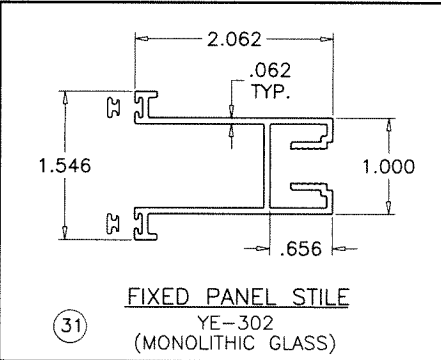
①①A **FRAME SILL (2 TRACK)**
YE-374



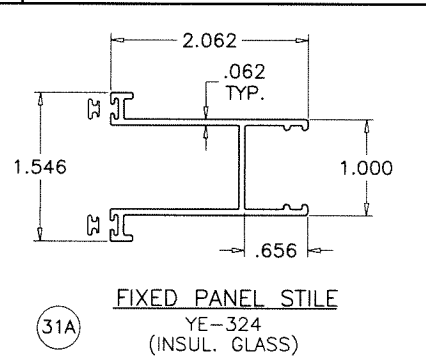
④ **PANEL TOP RAIL**
YE-307
(MONOLITHIC GLASS)



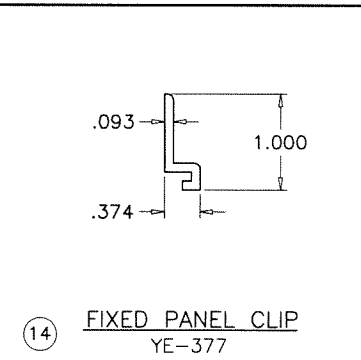
④A **PANEL TOP RAIL**
YE-317
(INSUL. GLASS)



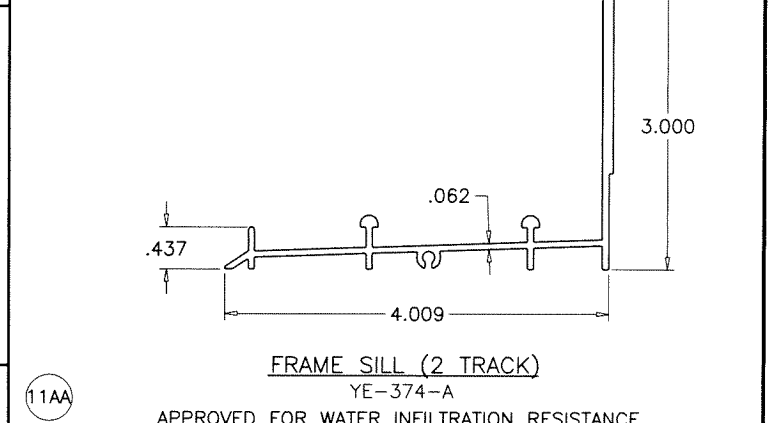
③① **FIXED PANEL STILE**
YE-302
(MONOLITHIC GLASS)



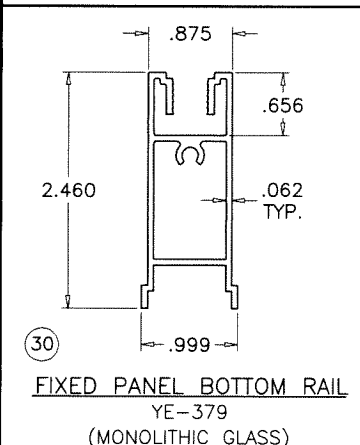
③①A **FIXED PANEL STILE**
YE-324
(INSUL. GLASS)



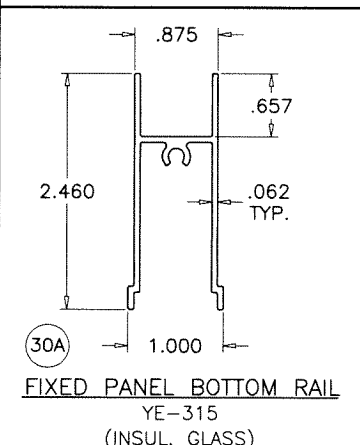
③④ **FIXED PANEL CLIP**
YE-377



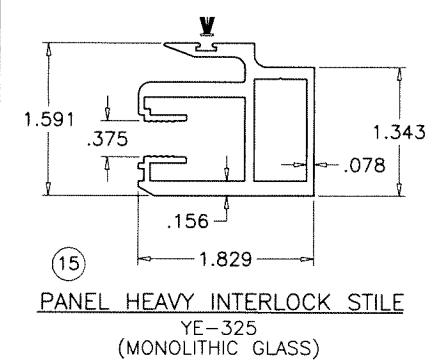
③①①A **FRAME SILL (2 TRACK)**
YE-374-A
APPROVED FOR WATER INFILTRATION RESISTANCE



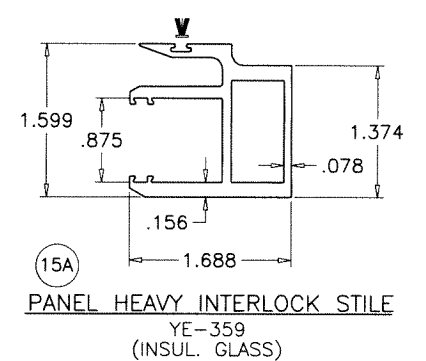
③③ **FIXED PANEL BOTTOM RAIL**
YE-379
(MONOLITHIC GLASS)



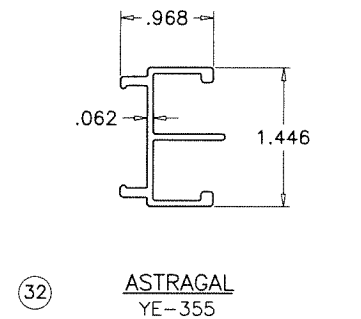
③③A **FIXED PANEL BOTTOM RAIL**
YE-315
(INSUL. GLASS)



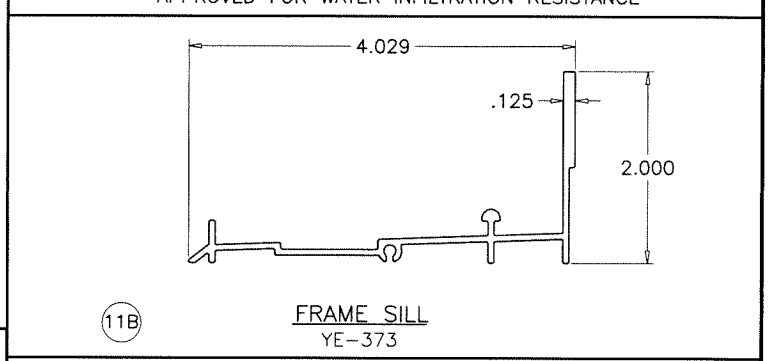
③⑤ **PANEL HEAVY INTERLOCK STILE**
YE-325
(MONOLITHIC GLASS)



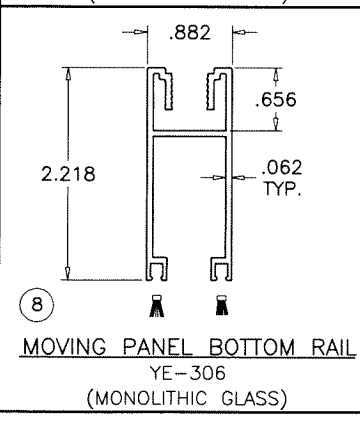
③⑤A **PANEL HEAVY INTERLOCK STILE**
YE-359
(INSUL. GLASS)



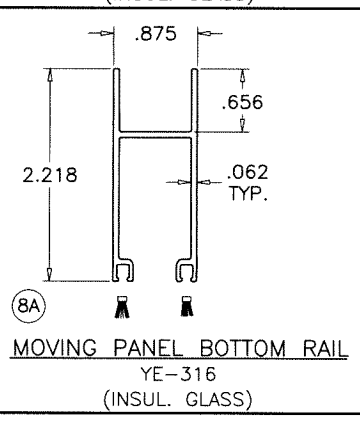
③② **ASTRAGAL**
YE-355



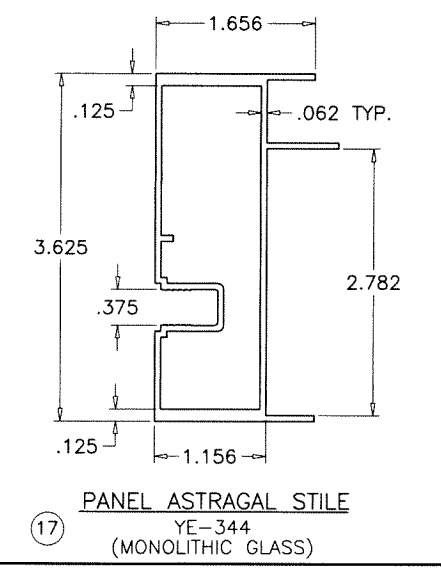
③①①B **FRAME SILL**
YE-373



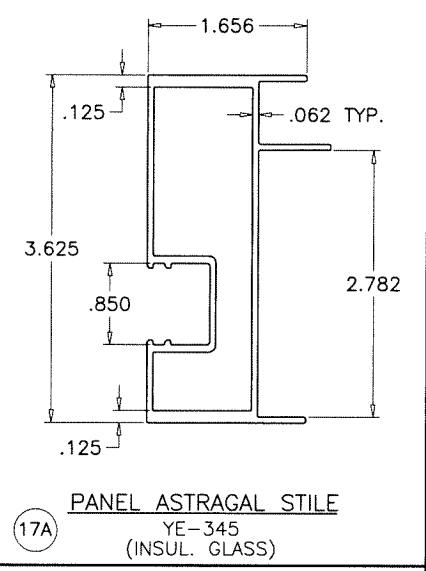
③⑧ **MOVING PANEL BOTTOM RAIL**
YE-306
(MONOLITHIC GLASS)



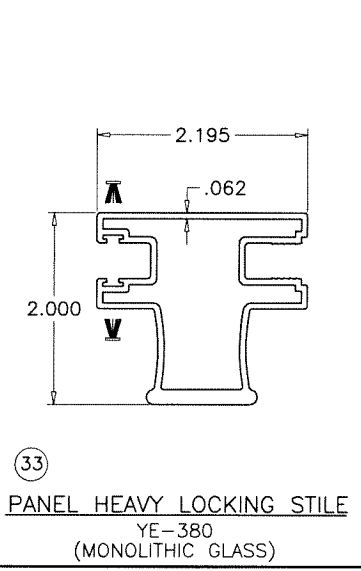
③⑧A **MOVING PANEL BOTTOM RAIL**
YE-316
(INSUL. GLASS)



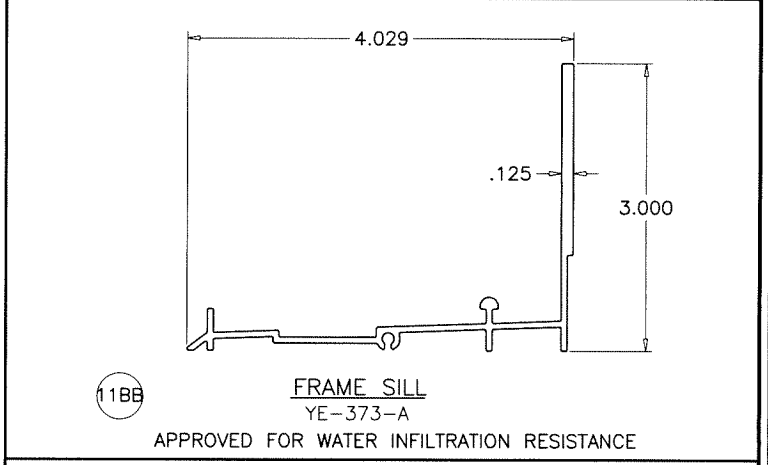
③⑦ **PANEL ASTRAGAL STILE**
YE-344
(MONOLITHIC GLASS)



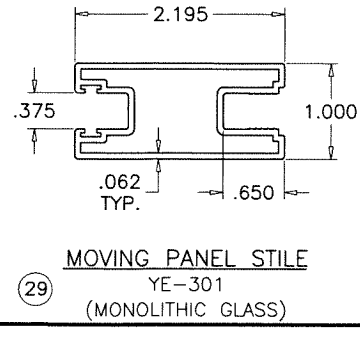
③⑦A **PANEL ASTRAGAL STILE**
YE-345
(INSUL. GLASS)



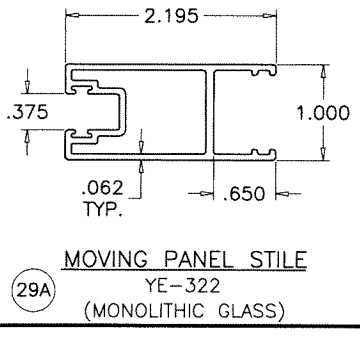
③③ **PANEL HEAVY LOCKING STILE**
YE-380
(MONOLITHIC GLASS)



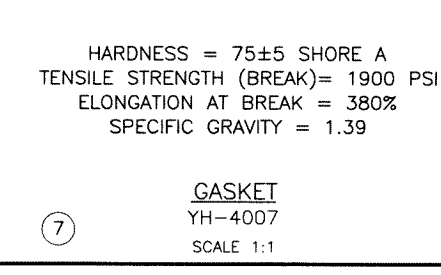
③①①B **FRAME SILL**
YE-373-A
APPROVED FOR WATER INFILTRATION RESISTANCE



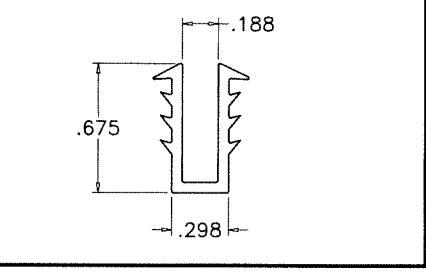
③⑨ **MOVING PANEL STILE**
YE-301
(MONOLITHIC GLASS)



③⑨A **MOVING PANEL STILE**
YE-322
(MONOLITHIC GLASS)



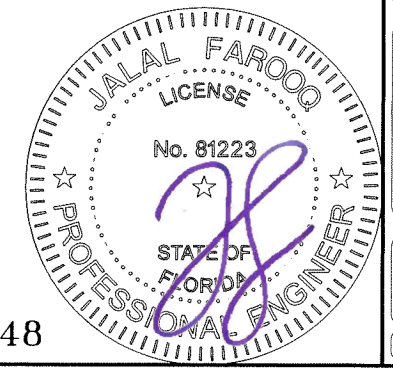
③⑦ **GASKET**
YH-4007
SCALE 1:1



③⑧ **REINFORCING BAR**

Sealed: 7/20/2023

FL #21848



af c
AL-FAROOQ CORPORATION
ENGINEERS & PRODUCT DEVELOPMENT
9360 SUNSET DRIVE, SUITE 220
MIAMI, FLORIDA 33173 (C.A.N. 3538)
TEL. (305) 264-8100 FAX. (305) 262-6978
COMP-ANL W15-61AWP

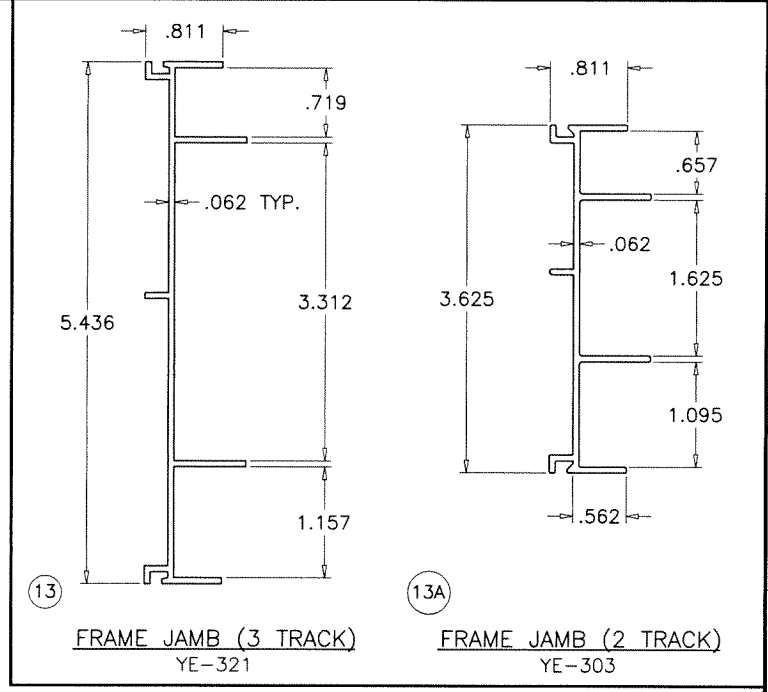
SERIES 4000 ALUM SLD. GLASS DOOR (N.I.)
Assura Windows & Doors, LLC.
1543 N. Powerline Road
Pompano Beach, FL. 33069
Tel. (954) 781-4430 www.assurawindows.com

no	date	description

date: 08-24-15
scale: 1/2" = 1"
dr. by: TARIQ
chk. by:

drawing no.
W15-61
sheet 11 of 13

ITEM NO.	PART NUMBER	DESCRIPTION	MATERIAL/REMARKS
1	YE-320	FRAME HEAD (3 TRACK)	ALUMINUM (6063-T5)
1A	YE-304	FRAME HEAD (2 TRACK)	ALUMINUM (6063-T5)
2	YH-4004	FIN SEAL W'STRIPPING (.187" X .250)	ULTRAFAB
3	YH-4002	TOP SLIDE GUIDE	NYLON 6/6 SECURITY PLASTICS INC.
4	YE-307	PANEL TOP RAIL (MONOLITHIC GLASS)	ALUMINUM (6063-T5)
4A	YE-317	PANEL TOP RAIL (INSUL. GLASS)	ALUMINUM (6063-T5)
7	YH-4007	VINYL GASKET FOR 3/16" GLASS	MELTPPOINT PLASTICS INC. (TEKNOR APEX)
8	YE-306	MOVING PANEL BOTTOM RAIL (MONOLITHIC GLASS)	ALUMINUM (6063-T5)
8A	YE-316	MOVING PANEL BOTTOM RAIL (INSUL. GLASS)	
9	YF-27A	BOTTOM RAIL ASSY. SCREW	# 10-32 X 7/8" PH. MACH. SCREW
10	YH-4031	ROLLER ASSEMBLY	ALUM HOUSING WITH STEEL WHEEL
11	YE-375	FRAME SILL (3 TRACK)	ALUMINUM (6063-T5)
11A	YE-374	FRAME SILL (2 TRACK)	ALUMINUM (6063-T5)
11AA	YE-374-A	FRAME SILL (2 TRACK)	ALUMINUM (6063-T5)
11B	YE-373	FRAME SILL (2 TRACK)	ALUMINUM (6063-T5)
11BB	YE-373-A	FRAME SILL (2 TRACK)	ALUMINUM (6063-T5)
12	YH-4005	ROLLING PANEL SILL W'STRIPPING	SCHLEGEL SK1004-510 OR EQUIV.
13	YE-321	FRAME JAMB (3 TRACK)	ALUMINUM (6063-T5)
13A	YE-303	FRAME JAMB (2 TRACK)	ALUMINUM (6063-T5)
14	YE-377	FIXED PANEL CLIP (TYPE A)	ALUMINUM (6063-T5)
15	YE-325	PANEL HEAVY INTERLOCK STILE (MONOLITHIC GLASS)	ALUMINUM (6063-T5)
15A	YE-359	PANEL HEAVY INTERLOCK STILE (INSUL. GLASS)	ALUMINUM (6063-T5)
17	YE-344	PANEL HEAVY ASTRAGAL STILE (MONOLITHIC GLASS)	ALUMINUM (6063-T5)
17A	YE-345	PANEL HEAVY ASTRAGAL STILE (INSUL. GLASS)	ALUMINUM (6063-T5)
18	YH-25	ASTRAGAL ASSY SCREW	#8 X 1/2" P.H. SMS
19	YH-4010	FIXED END STILE WEATHERSTRIPPING	CUSTOM PLASTICS 042-1 (VINYL)
22	-	SCREEN	OPTIONAL
23	YH-4053	MOVING PANEL SILL & TRACK CLIP (TYPE B)	ALUMINUM (1/2"x1-1/2"x3/16"x4" LONG)
24	YH-4034	BRACKET TYPE 'B'	ALUMINUM (2"x2"x1/8"x1" LONG)
27	YH-4055	FIXED PANEL UPPER CLIP (TYPE C)	ALUMINUM (2"x2"x1/8"x1" LONG)
28	YH-4054	CENTRAL FIXED PANEL CLIP (TYPE D)	ALUMINUM (2"x7/8"x1/8"x3" LONG)
29	YE-301	PANEL LOCKING STILE (MONOLITHIC GLASS)	ALUMINUM (6063-T5)
29A	YE-322	PANEL LOCKING STILE (INSUL. GLASS)	ALUMINUM (6063-T5)
30	YE-379	FIXED PANEL BOTTOM RAIL (MONOLITHIC GLASS)	ALUMINUM (6063-T5)
30A	YE-315	FIXED PANEL BOTTOM RAIL (INSUL. GLASS)	ALUMINUM (6063-T5)
31	YE-302	FIXED END STILE (MONOLITHIC GLASS)	ALUMINUM (6063-T5)
31A	YE-324	FIXED END STILE (INSUL. GLASS)	ALUMINUM (6063-T5)
33	YE-355	ASTRAGAL STILE	ALUMINUM (6063-T5)
34	YE-380	PANEL HEAVY LOCKING STILE	ALUMINUM (6063-T5)
35	YH-4003	KEEPER	CAST (ZAMAK)
36	YH-4016	EXT. CONCEALED HANDLE	CAST (ZAMAK)
37	YH-4017	INT. CONCEALED HANDLE W/ KEY LOCK	CAST (ZAMAK)
38	YH-4022	DOOR HANDLE	CAST (ZAMAK)
39	YH-6006	FIN SEAL W'STRIPPING	ULTRAFAB (.115" X .50")
40	YF-2	BOT./TOP FIXED & TOP MOV. PANEL ASSY. SCREWS	#10 X 1" PH SMS
41	YF-17	BOT. MOV. PANEL ASSY./ADJ. WHEEL SCREW	#10-24 X 7/8" PH MS
42	YF-10	FRAME ASSY. SCREWS	#8 X 1" PH SMS
43	YF-18	KEEPER ASSY. SCREWS	#10 X 3/8" TH SMS
44	YF-67SS	HANDLE ASSY. SCREWS	#8-32 X 2" FH SS. MS
45	YF-68SS	CLOSED END HANDLE BINDING POST	ST. STEEL (.200" X 3/4")
46	YH-4013	INTERLOCK/ASTRAGAL TOP & BOTTOM PAD	ULTRAFAB (13/16" X 11/16" X 1-1/2")
47	-	SETTING BLOCKS AT 1/4 POINTS	EPDM, DUROMETER 80±5 SHORE A
48	YH-4019	REINFORCING BAR, FULL LENGTH	STEEL, ASTM A36

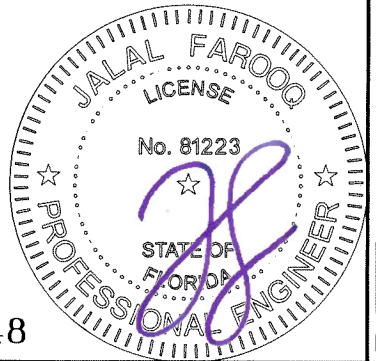


WEEPHOLES:

W1 = 1/8" X 1/2" LONG WEEP NOTCH AT 9-3/4" FROM EACH END AND 10" O.C.
W2 = 1/8" X 1/2" LONG WEEP NOTCH AT 12-3/4" FROM EACH END AND 10" O.C.

LOCKS:

SURFACE MOUNT METALLIC HOOK LOCK WITH A CONCEALED HANDLE ON EXTERIOR AND INTERIOR AND A SURFACE MOUNT METALLIC HANDLE ON THE INTERIOR AT 41-5/16" FROM BOTTOM FASTENED TO LOCK STILE WITH (2) #10 X 1" OH MACHINE SCREWS
SURFACE MOUNT METALLIC KEEPER FACING LOCK AT 38 1/2" FROM BOTTOM FASTENED WITH (3) #12 X 1-3/8" FH SMS



Sealed: 7/20/2023

FL #21848

a f c

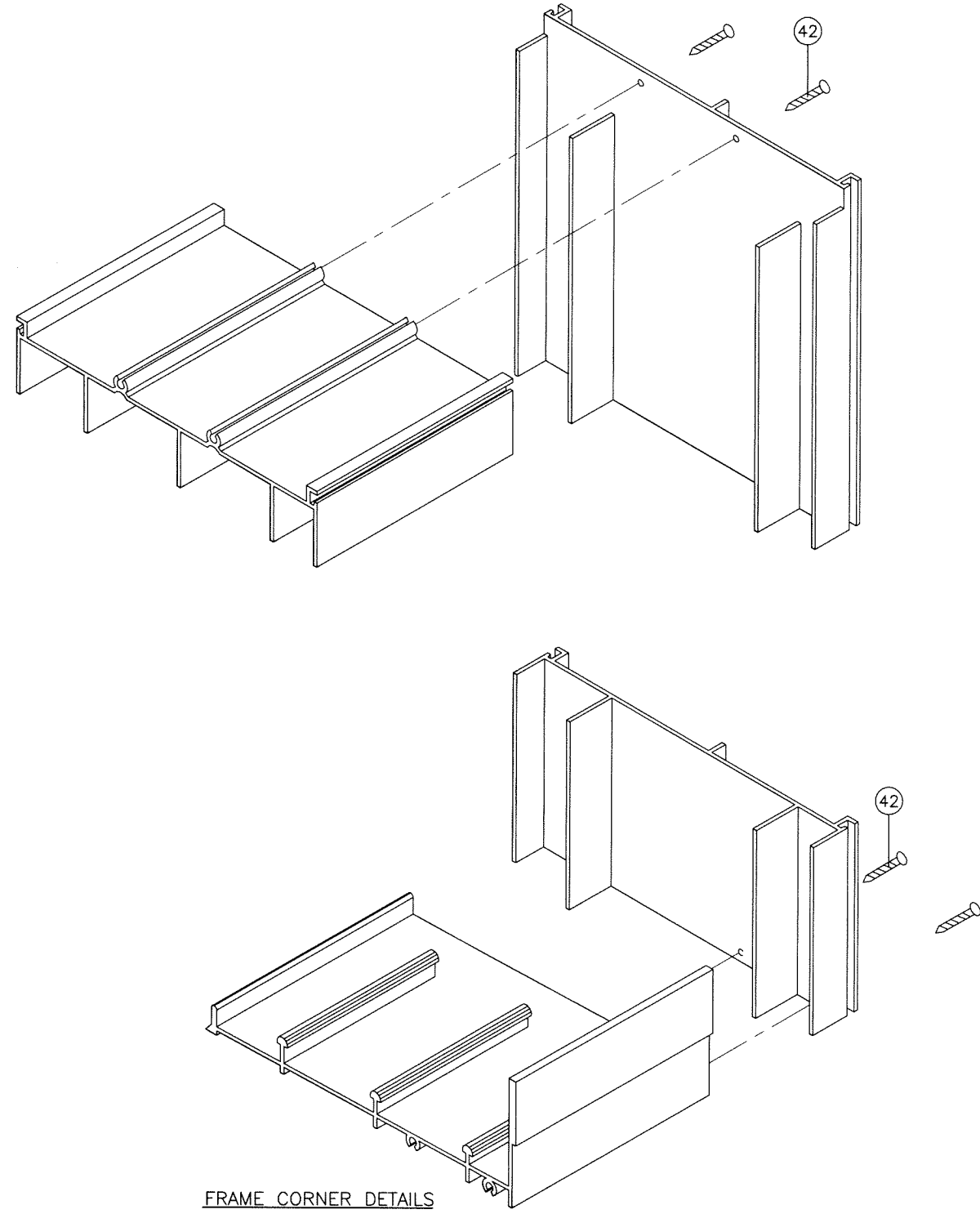
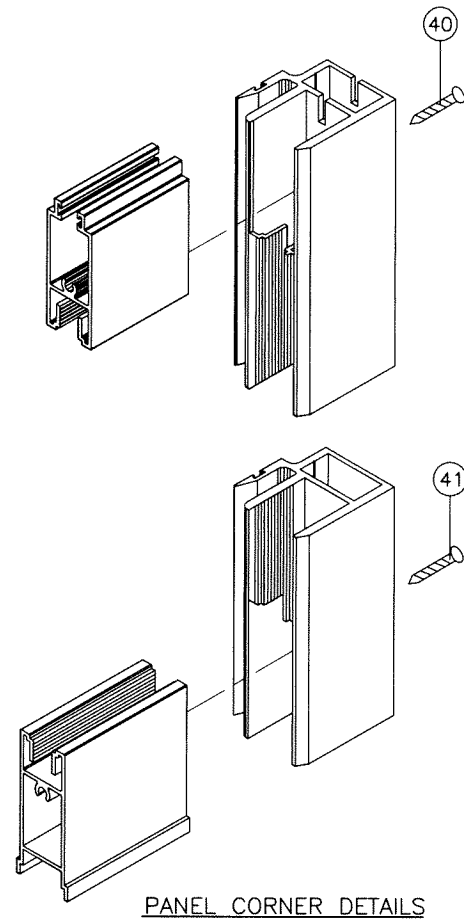
AL-FAROOQ CORPORATION
ENGINEERS & PRODUCT DEVELOPMENT
9360 SUNSET DRIVE, SUITE 220 (C.A.N. 3538)
MIAMI, FLORIDA 33173 TEL. (305) 264-8100 FAX. (305) 262-6978
COMP-ANL\W15-61AWP

SERIES 4000 ALUM SLD. GLASS DOOR (N.I.)
Assura Windows & Doors, LLC.
1543 N. Powerline Road
Pompano Beach, FL. 33069
Tel. (954) 781-4430 www.assurawindows.com

revisions:	no.	date	by	description

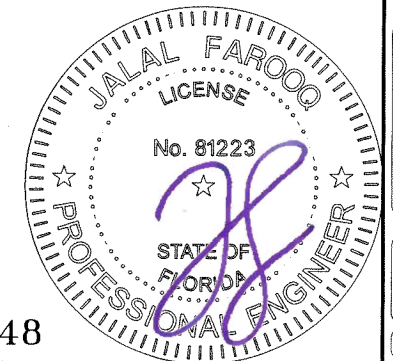
date: 08-24-15
scale: 1/2" = 1"
dr. by: TARIQ
chk. by:

drawing no. **W15-61**
sheet 12 of 13



Sealed: 7/20/2023

FL #21848



af c
AL-FAROOQ CORPORATION
 ENGINEERS & PRODUCT DEVELOPMENT
 9360 SUNSET DRIVE, SUITE 220
 MIAMI, FLORIDA 33173 (C.A.N. 3538)
 TEL. (305) 264-8100 FAX. (305) 262-6978
 COMP--ANL \ W15-61AWP

SERIES 4000 ALUM SLD. GLASS DOOR (N.I.)
Assura Windows & Doors, LLC.
 1543 N. Powerline Road
 Pompano Beach, FL. 33069
 Tel. (954) 781-4430 www.assurawindows.com

no	date	by	description

date: 08-24-15
 scale: 1/2" = 1"
 dr. by: TARIQ
 chk. by:

drawing no.
W15-61
 sheet 13 of 13