

GLASS D.L.O. DIMS. (MONOLITHIC GLASS)

D.L.O. HEIGHT (DOOR) = FRAME HEIGHT - 11"
 D.L.O. WIDTH (X DOORS) = FRAME WIDTH - 11.750"
 D.L.O. WIDTH (XX DOORS) = (FRAME WIDTH - 20.5")/2

GLASS D.L.O. DIMS. (INSULATING GLASS)

D.L.O. HEIGHT (DOOR) = FRAME HEIGHT - 12.375"
 D.L.O. WIDTH (X DOORS) = FRAME WIDTH - 13.187"
 D.L.O. WIDTH (XX DOORS) = (FRAME WIDTH - 23.375")/2

DOORS NOT RATED FOR IMPACT.

INSTALLATION OF THIS PRODUCT IN THE HVHZ AREA REQUIRES THE USE OF APPROVED SHUTTERS OR EXTERNAL PROTECTION DEVICES COMPLYING WITH HVHZ REQUIREMENTS.

INSTALLATION OF THIS SYSTEM OUTSIDE THE HVHZ AREA SHALL MEET THE APPLICABLE REQUIREMENTS FOR WIND BORNE DEBRIS PROTECTION.

SERIES 600

ALUMINUM FRENCH DOOR W/ SIDELITES

APPROVAL APPLIES TO SINGLE (X) AND DOUBLE (XX) LEAF DOORS WITH OR WITHOUT SIDELITES.

SIDE LITES CAN BE ON ONE OR BOTH SIDES OF DOOR. SEE SHEET 3 FOR DESIGN LOAD CAPACITIES.

DOORS APPROVED FOR INSTALLATIONS WHERE WATER INFILTRATION RESISTANCE IS REQUIRED.

THIS PRODUCT HAS BEEN DESIGNED AND TESTED TO COMPLY WITH THE REQUIREMENTS OF THE 2020 (7TH EDITION)/2023 (8TH EDITION) FLORIDA BUILDING CODE INCLUDING HIGH VELOCITY HURRICANE ZONE (HVHZ).

1BY OR 2BY WOOD BUCKS & BUCK FASTENERS BY OTHERS, MUST BE DESIGNED AND INSTALLED ADEQUATELY TO TRANSFER APPLIED PRODUCT LOADS TO THE BUILDING STRUCTURE.

ANCHORS SHALL BE CORROSION RESISTANT, SPACED AS SHOWN ON DETAILS AND INSTALLED PER MANUF'S INSTRUCTIONS. SPECIFIED EMBEDMENT TO BASE MATERIAL SHALL BE BEYOND WALL DRESSING OR STUCCO.

A LOAD DURATION INCREASE IS USED IN DESIGN OF ANCHORS INTO WOOD ONLY.

ALL SHIMS TO BE HIGH IMPACT, NON-METALLIC AND NON-COMPRESSIBLE.

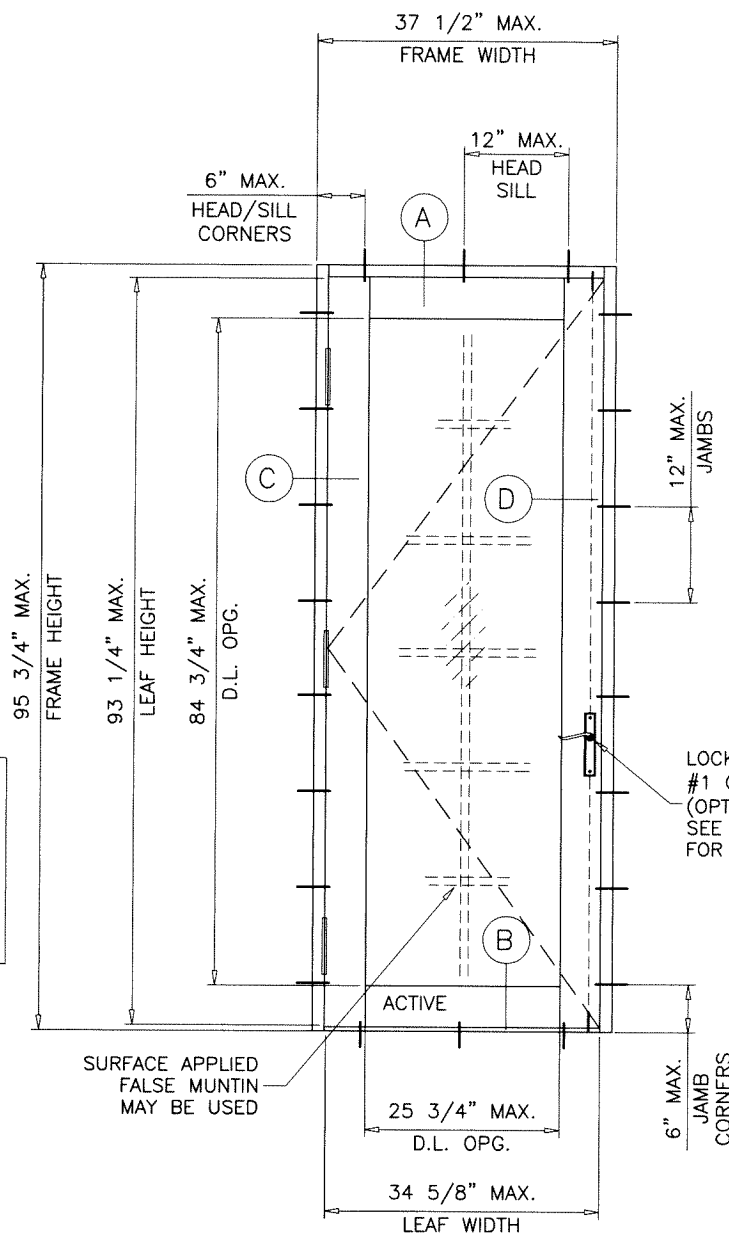
MATERIALS INCLUDING BUT NOT LIMITED TO STEEL/METAL SCREWS, THAT COME INTO CONTACT WITH OTHER DISSIMILAR MATERIALS SHALL MEET THE REQUIREMENTS OF THE 2020/2023 FLORIDA BLDG. CODE & ADOPTED STANDARDS.

THIS PRODUCT APPROVAL IS GENERIC AND DOES NOT PROVIDE INFORMATION FOR A SITE SPECIFIC PROJECT, i.e. LIFE SAFETY OF THIS PRODUCT, ADEQUACY OF STRUCTURE RECEIVING THIS PRODUCT AND SEALING AROUND OPENING FOR WATER INFILTRATION RESISTANCE ETC.

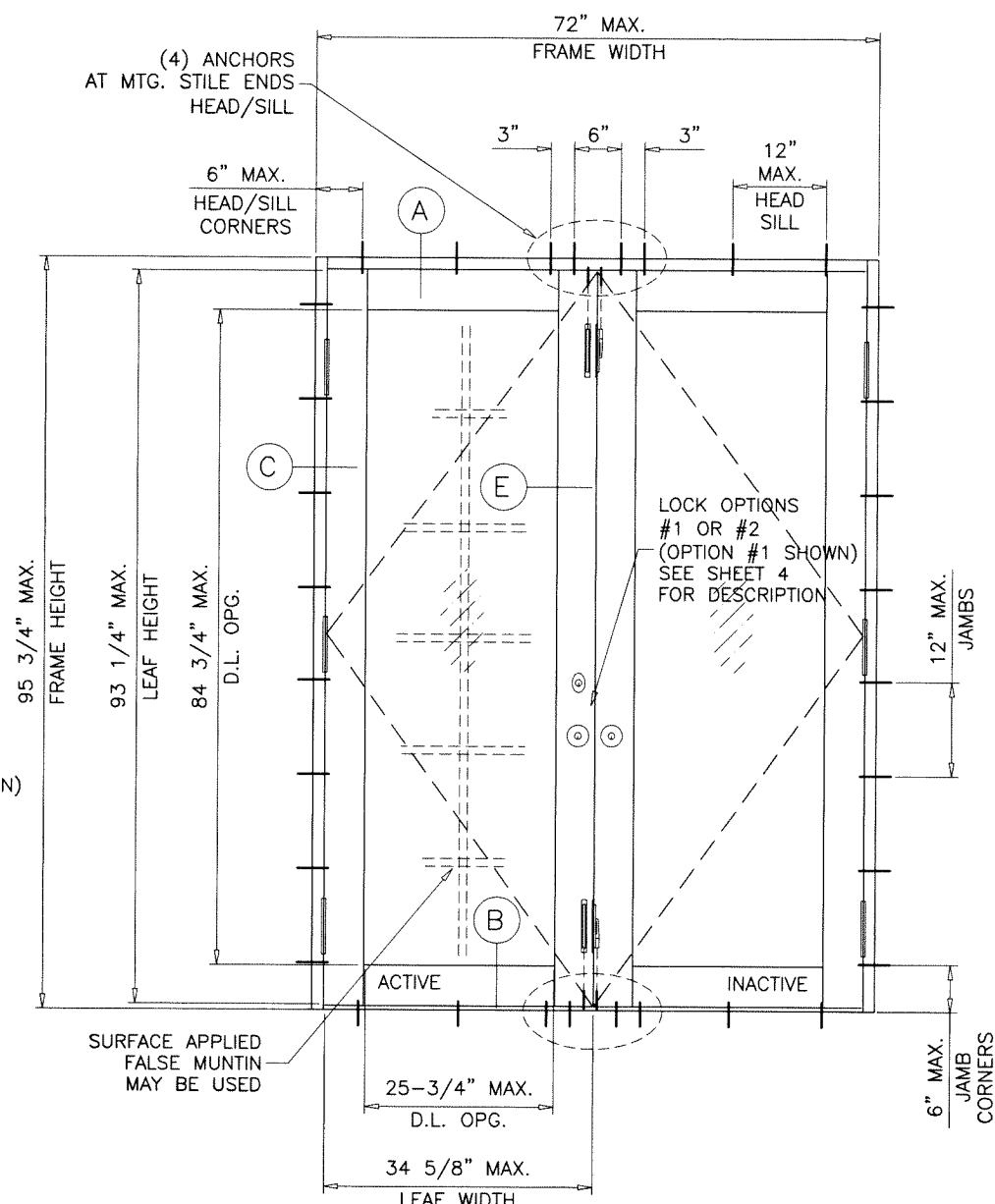
CONDITIONS NOT SHOWN IN THIS DRAWING ARE TO BE ANALYZED SEPARATELY, AND TO BE REVIEWED BY BUILDING OFFICIAL.

DESIGN LOADS SHOWN ARE BASED ON 'ALLOWABLE STRESS DESIGN (ASD)'

MANUFACTURER'S LABEL SHALL BE LOCATED ON A READILY VISIBLE LOCATION IN ACCORDANCE WITH SECTION 1709.9.3 OF FLORIDA BUILDING CODE. LABELING TO COMPLY WITH SECTION 1709.9.2.



SINGLE LEAF DOOR
(X)



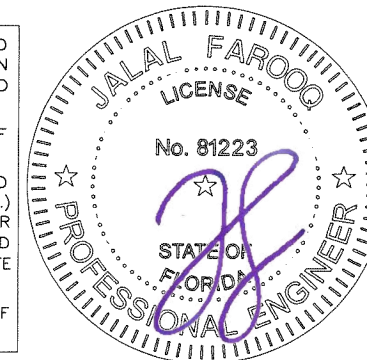
DUAL LEAF DOOR
(XX)
DOOR OPTIONS

MONOLITHIC GLASS
 INSULATING GLASS
 NON IMPACT

FL #21855

Sealed: 7/20/2023

A- CONTRACTOR TO BE RESPONSIBLE FOR THE SELECTION, PURCHASE AND INSTALLATION OF THIS PRODUCT BASED ON THIS PRODUCT EVALUATION PROVIDED HE/SHE DOES NOT DEVIATE FROM THE CONDITIONS DETAILED ON THIS DOCUMENT.
 B- THIS PRODUCT EVALUATION DOCUMENT WILL BE CONSIDERED INVALID IF ALTERED BY ANY MEANS.
 C- SITE SPECIFIC PROJECTS SHALL BE PREPARED BY A FLORIDA REGISTERED ENGINEER OR ARCHITECT WHICH WILL BECOME THE ENGINEER OF RECORD (E.O.R.) FOR THE PROJECT AND WHO WILL BE RESPONSIBLE FOR THE PROPER USE OF THE P.E.D. ENGINEER OF RECORD, ACTING AS A DELEGATED ENGINEER TO THE P.E.D. ENGINEER SHALL SUBMIT TO THIS LATTER THE SITE SPECIFIC DRAWINGS FOR REVIEW.
 D- THIS P.E.D. SHALL BEAR THE DATE AND ORIGINAL SEAL AND SIGNATURE OF THE PROFESSIONAL ENGINEER OF RECORD THAT PREPARED IT.



af c
AL-FAROOQ CORPORATION
 ENGINEERS & PRODUCT DEVELOPMENT
 9360 SUNSET DRIVE, SUITE 220
 MIAMI, FLORIDA 33173 (C.A.N. 3538)
 TEL. (305) 264-8100 FAX. (305) 262-6978
 COMP-ANL\W15-70AWP

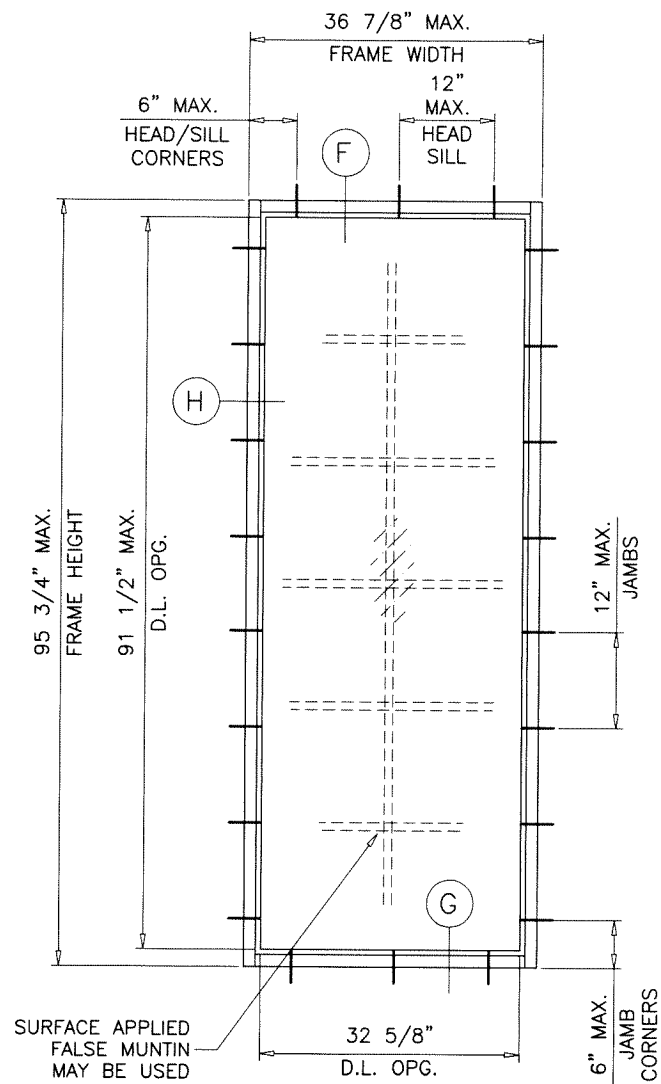
SERIES 600 ALUM FRENCH DOOR W/ SIDELITES (N.I.)
Assura Windows & Doors, LLC.
 1543 N. Powerline Road
 Pompano Beach, FL. 33069
 Tel. (954) 781-4430 www.assurawindows.com

no	date	description	by
C	02.08.17	MANUF. NAME REV.	
D	11.27.17	UPDATED TO 2017 FBC	
E	09.23.20	UPDATED TO 2020 FBC	
F	07.14.23	UPDATED TO 2023 FBC	

revisions:

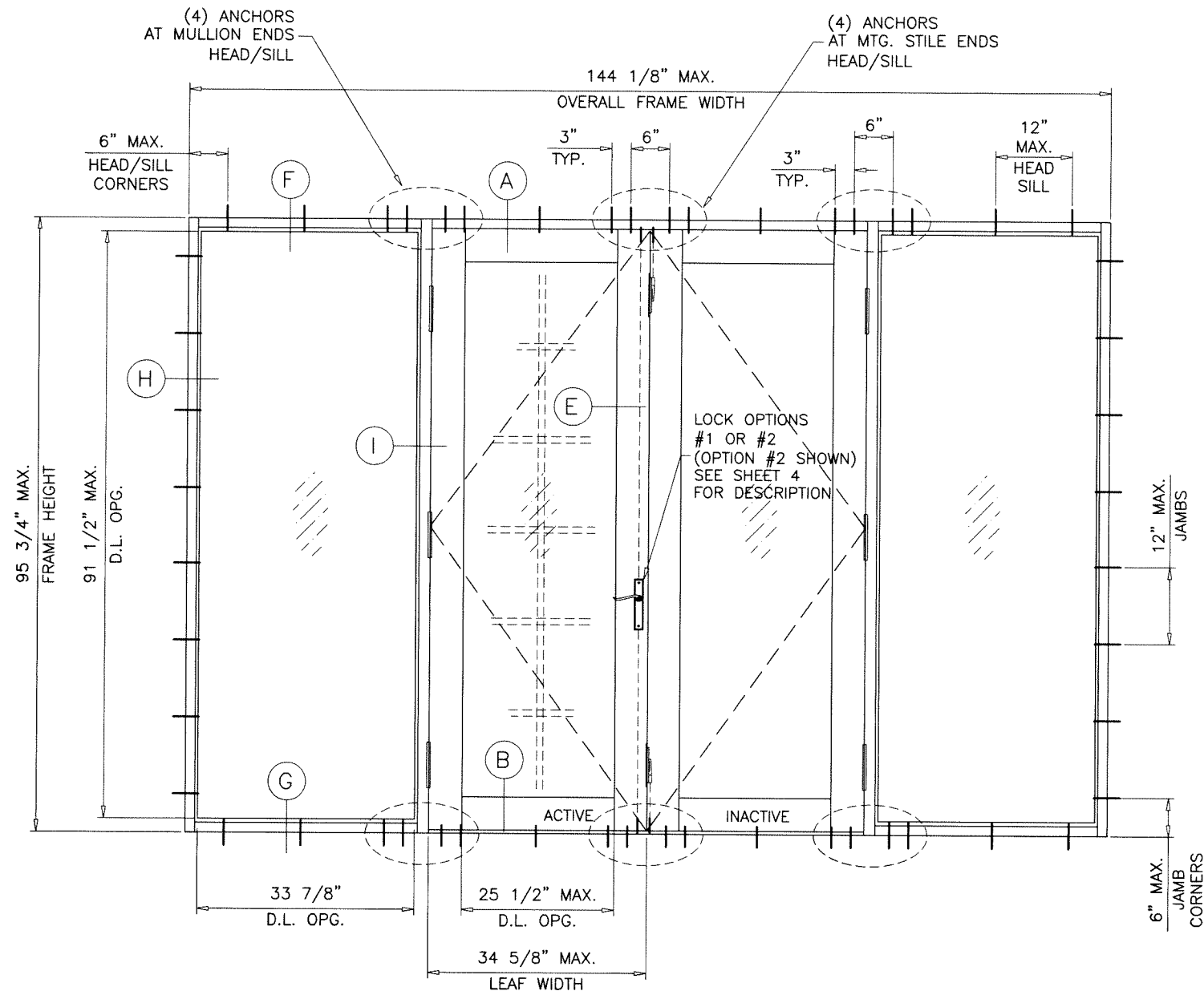
date: 08-28-15
 scale: 1/2"=1'-0"
 dr. by: TARIQ
 chk. by:

drawing no.
W15-70
 sheet 1 of 11



SINGLE SIDELITE
(O)

GLASS D.L.O. DIMS. (MONOLITHIC/INSULATING GLASS)
 D.L.O. HEIGHT (SIDELITE) = FRAME HEIGHT - 4.250"
 D.L.O. WIDTH (SIDELITE) = FRAME WIDTH - 4.250"



TESTED UNIT
(OXXO)

OX, XO, OXX OR XXO CONFIGURATIONS ALSO QUALIFY

MAX. UNIT TESTED FRAME AREA NOT TO EXCEED 95.83 SQ. FT. PER FBC

Sealed: 7/20/2023

FL #21855



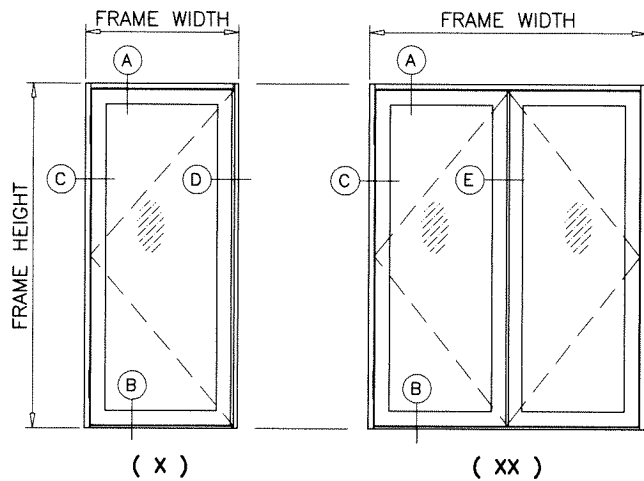
af c
AL-FAROOQ CORPORATION
 ENGINEERS & PRODUCT DEVELOPMENT
 9360 SUNSET DRIVE, SUITE 220
 MIAMI, FLORIDA 33173 (C.A.N. 353B)
 TEL. (305) 264-8100 FAX. (305) 262-6978
 COMP-ANL \ W15-70AWP

SERIES 600 ALUM FRENCH DOOR W/ SIDELITES (N.I.)
Assura Windows & Doors, LLC.
 1543 N. Powerline Road
 Pompano Beach, FL. 33069
 Tel. (954) 781-4430 www.assurawindows.com

revisions:	no	date	by	description
date:	08-28-15	scale:	-	
dr. by:	TARIQ	chk. by:		
drawing no.	W15-70			
sheet	2 of 11			

CHART 'A'

DOORS WITHOUT SIDELITES						
DESIGN LOAD CAPACITY - PSF						
FRAME HEIGHT INCHES	LEAF HEIGHT INCHES	FRAME WIDTH INCHES		LEAF WIDTH INCHES	3/16" TEMP. GLASS	
		EXT. (+)	INT. (-)		EXT. (+)	INT. (-)
83-3/4	81-1/4	31-1/2 (X)	60 (XX)	28-5/8	70.0	96.0
		37-1/2 (X)	72 (XX)	34-5/8	70.0	80.0
95-3/4	93-1/4	31-1/2 (X)	60 (XX)	28-5/8	70.0	84.0
		37-1/2 (X)	72 (XX)	34-5/8	70.0	70.0

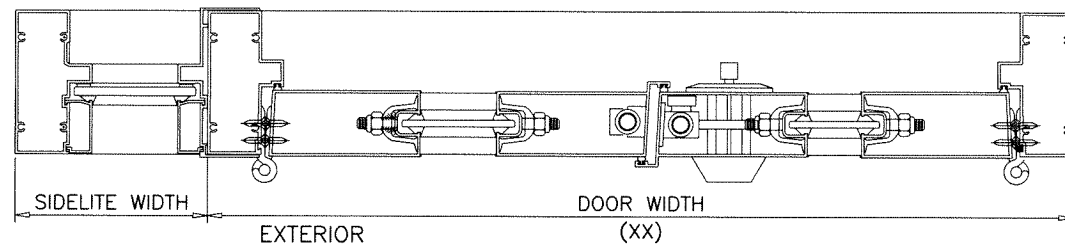
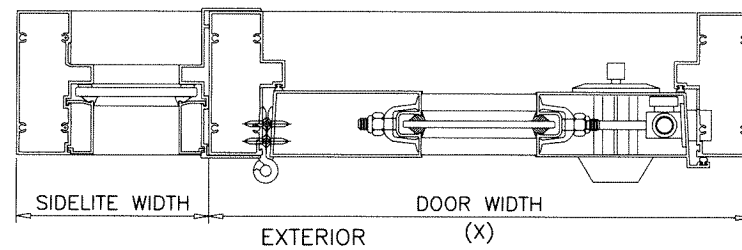
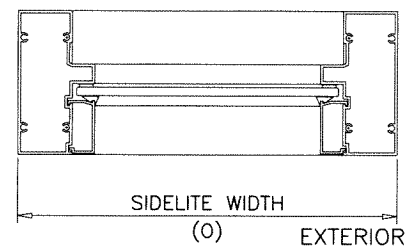


NOTE:
EGRESS REQUIREMENTS TO BE REVIEWED
BY BUILDING OFFICIAL.

CHART 'B'

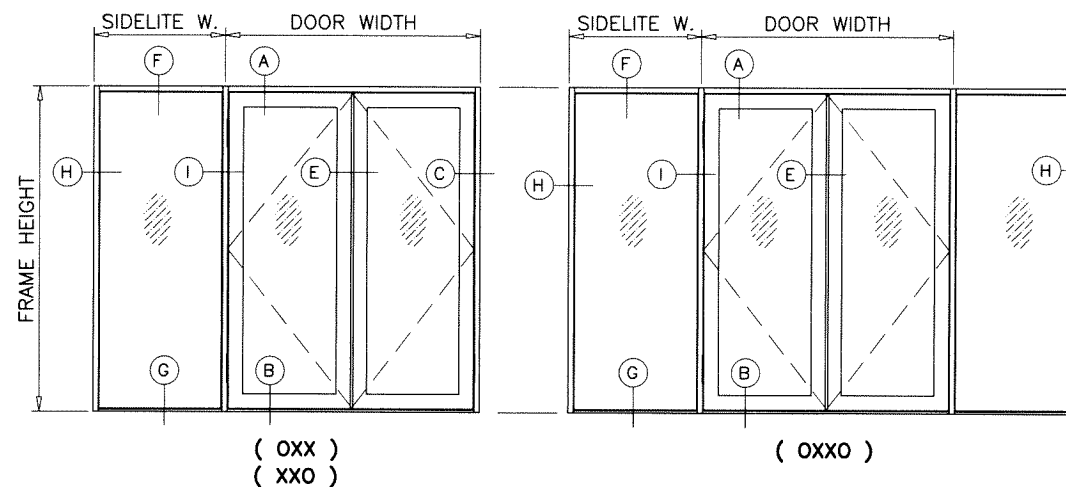
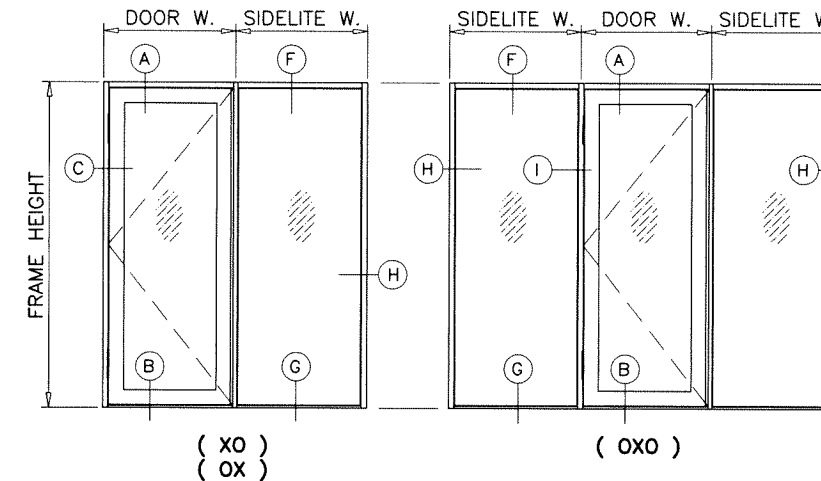
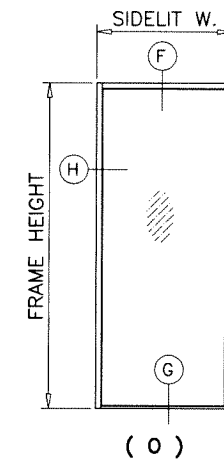
STATIONARY PANEL (O) OR DOORS WITH SIDELITES				
DESIGN LOAD CAPACITY - PSF				
FRAME HEIGHT INCHES	DOOR WIDTH INCHES	SIDELITE WIDTH INCHES	1/4" TEMP. GLASS 5/8" INSUL. GLASS	
			EXT. (+)	INT. (-)
79-3/4*	-	30	70.0	100.9
		36	70.0	92.7
		42	60.0	60.0
	-	30	70.0	84.0
		36	70.0	84.0
		42	60.0	60.0
83-3/4	31-1/2 (X)	30	70.0	96.0
	60 (XX)	36	70.0	91.6
	37-1/2 (X)	30	70.0	80.0
	72 (XX)	36	70.0	80.0
95-3/4	31-1/2 (X)	30	70.0	72.7
	60 (XX)	36	67.6	67.6
	37-1/2 (X)	30	67.6	66.9
	72 (XX)	36	62.5	62.5

* HEIGHT FOR SINGLE SIDELITES ONLY



NOTE:
FOR DOORS CAPACITIES SEE CHART 'A'
FOR SIDELITE CAPACITIES SEE CHART 'B'.
LOWER VALUES FROM DOOR OR SIDELITE CHART
WILL APPLY TO ENTIRE SYSTEM.

NOTE:
GLASS CAPACITIES ON THIS SHEET ARE
BASED ON ASTM E1300-04 (3 SEC. GUSTS)
AND FLORIDA BUILDING COMMISSION
DECLARATORY STATEMENT DCA05-DEC-219



Sealed: 7/20/2023

FL #21855



AL-FAROOQ CORPORATION
ENGINEERS & PRODUCT DEVELOPMENT
9360 SUNSET DRIVE, SUITE 220
MIAMI, FLORIDA 33173 (C.A.N. 3538)
TEL. (305) 264-8100 FAX. (305) 262-6978
COMP-ANL W15-70AWP

SERIES 600 ALUM FRENCH DOOR W/ SIDELITES (N.I.)
Assura Windows & Doors, LLC.
1543 N. Powerline Road
Pompano Beach, FL 33069
Tel. (954) 781-4430 www.assurawindows.com

no	date	description

date: 08-28-15
scale: 3/8" = 1"
dr. by: TARIQ
chk. by:

drawing no.
W15-70
sheet 3 of 11

LOCKS:

OPTION #1:

ACTIVE LEAF:

SURFACE MOUNT DEAD BOLT LOCK AT 42-1/2" FROM BOTTOM, KEY OPERATED ON EXTERIOR AND THUMB TURN ON INTERIOR FASTENED TO LOCK STILE WITH (2) 12-28 X 2-1/4" OH MS (2) 10-24 X 1/2" FH MS SURFACE MOUNT METALLIC HANDLE AT 36" FROM BOTTOM, FASTENED TO LOCK STILE WITH (2) 8-32 X 1-1/4" PH MS AND (2) 8-24 X 1/2" FH MS

SURFACE MOUNT METALLIC STRIKE PLATES FACING LOCKS AT 35-1/4" AND 42-1/4" FROM BOTTOM FASTENED TO JAMB OR INACTIVE LOCK STILE WITH (2) 12-24 X 3/8" FH MS

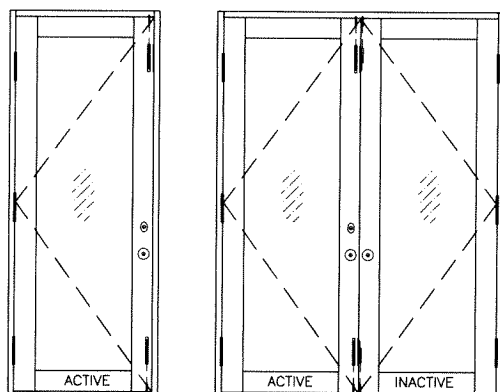
CONCEALED FLUSH BOLTS WITH MANUALLY OPERATED LEVERS MOUNTED ON STILE FACE, LOCATED AT 10-3/4" FROM TOP AND BOTTOM FASTENED TO LOCK STILE WITH (2) 8-32 X 3/8" FH MS

SURFACE MOUNT METALLIC STRIKE PLATES AT EACH FLUSH BOLT LOCATION FASTENED TO FRAME HEAD AND SILL WITH (2) 10-24 X 1/2" FH MS

INACTIVE LEAF

CONCEALED FLUSH BOLTS WITH MANUALLY OPERATED LEVERS MOUNTED ON INSIDE FACE OF LEAF STILE LOCATED AT 10-3/4" FROM TOP AND BOTTOM FASTENED TO LOCK STILE WITH (2) 8-32 X 3/8" FH MS

SURFACE MOUNT METALLIC STRIKE PLATES AT EACH FLUSH BOLT LOCATION FASTENED TO FRAME HEAD AND SILL WITH (2) 10-24 X 1/2" FH MS



OPTION #2:

ACTIVE LEAF:

SURFACE MOUNT METALLIC 4 POINT LOCK SYSTEM AT 36" FROM BOTTOM HANDLE ACTIVATES DEAD BOLT AND SHOOT BOLTS ENGAGING AT HEAD AND SILL KEY OPERATED ON EXTERIOR AND THUMB TURN ON INTERIOR

HANDLE FASTENED TO LOCK STILE WITH (2) 12-28 X 2" OH MS (2) #8 X 1-1/2" FH SMS

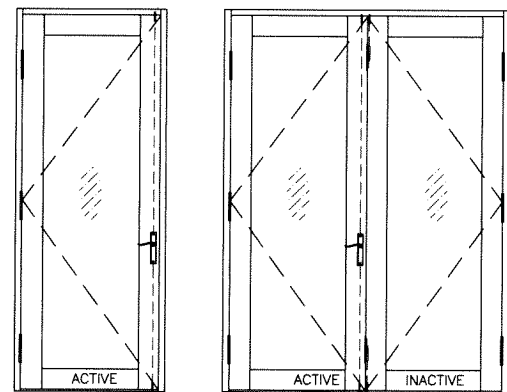
SURFACE MOUNT METALLIC STRIKE PLATES FACING LOCK AT 36" FROM BOTTOM FASTENED TO JAMB OR INACTIVE LOCK STILE WITH (3) 1/8" POP RIVETS

SURFACE MOUNT METALLIC KEEPERS AT SHOOT BOLT LOCATIONS FASTENED TO HEAD AND SILL WITH (2) 10-24 X 1/2" FH MS

INACTIVE LEAF

CONCEALED FLUSH BOLTS WITH MANUALLY OPERATED LEVERS MOUNTED ON INSIDE FACE OF LEAF STILE LOCATED AT 10-3/4" FROM TOP AND BOTTOM FASTENED TO LOCK STILE WITH (2) 8-32 X 3/8" FH MS

SURFACE MOUNT METALLIC STRIKE PLATES AT EACH FLUSH BOLT LOCATION FASTENED TO FRAME HEAD AND SILL WITH (2) 10-24 X 1/2" FH MS



NOTE: TOP AND BOTTOM FLUSH BOLTS MUST BE ENGAGED DURING PERIODS OF HURRICANE WARNING.

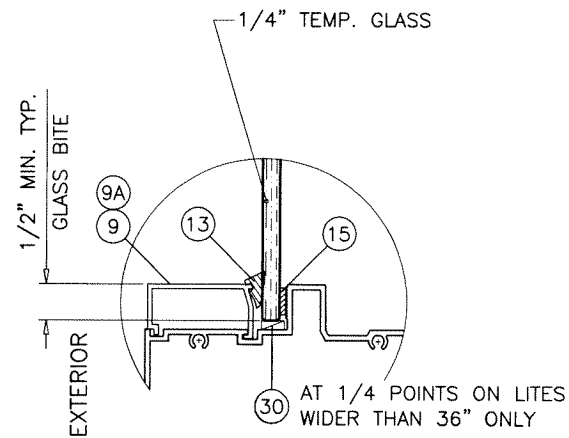
HINGES:

OPTION #1

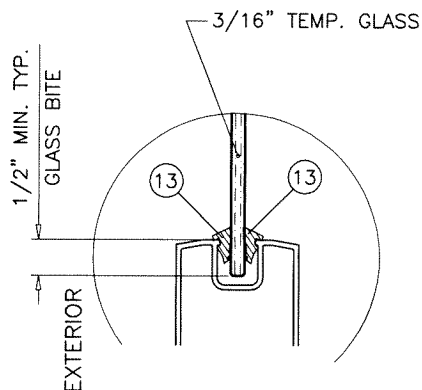
EXTRUDED 1/8" THK AND 7-1/2" LONG TWO-PART ALUMINUM BUTT HINGE (PART No. YH-650), THREE PER LEAF, 11-1/2" FROM LEAF TOP AND BOTTOM TO HINGE'S CENTER LINE AND ONE AT MIDSPAN.

OPTION #2

MANUFACTURER'S THREE-PART 7-1/2" LONG ALUMINUM HINGE ASSEMBLY (PART No. YH-658), THREE PER LEAF, 11-1/2" FROM LEAF TOP AND BOTTOM TO HINGE'S CENTER LINE AND ONE AT MIDSPAN.

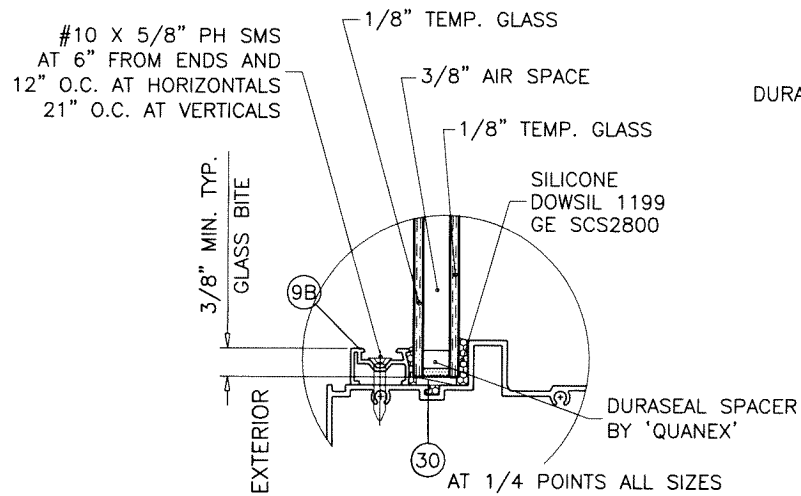


SIDELITE

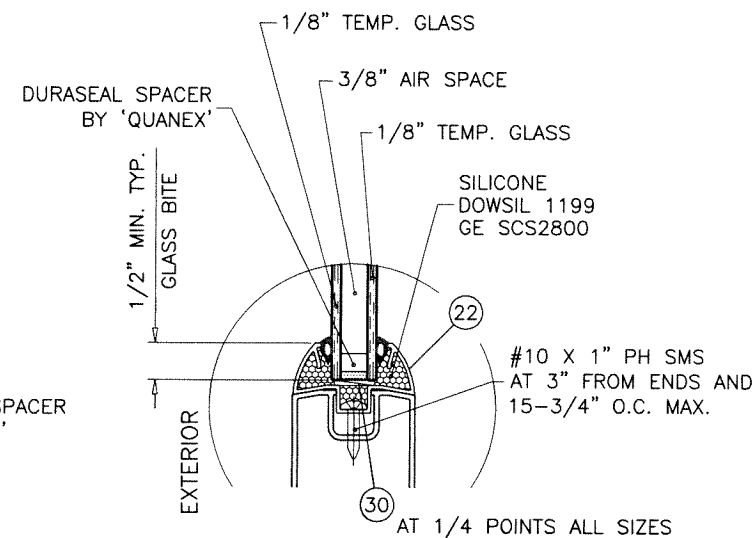


DOOR

GLAZING DETAIL
MONOLITHIC GLASS



SIDELITE



DOOR

GLAZING DETAIL
INSULATING GLASS



AL-FAROOQ CORPORATION
ENGINEERS & PRODUCT DEVELOPMENT
9360 SUNSET DRIVE, SUITE 220
MIAMI, FLORIDA 33173
TEL. (305) 264-8100 FAX. (305) 262-6978
C.A.N. 353B

COMP-ANL \ W15-70AWP

SERIES 600 ALUM FRENCH DOOR W/ SIDELITES (N.I.)

Assura Windows & Doors, LLC.

1543 N. Powerline Road
Pompano Beach, FL. 33069
Tel. (954) 781-4430 www.assurawindows.com

no	date	description

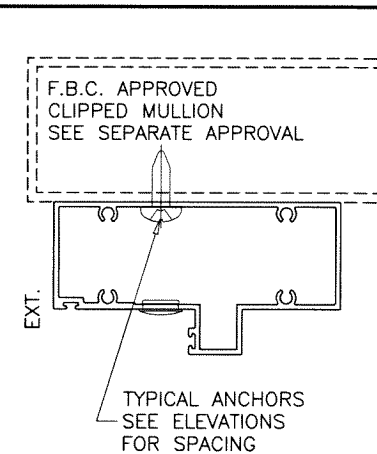
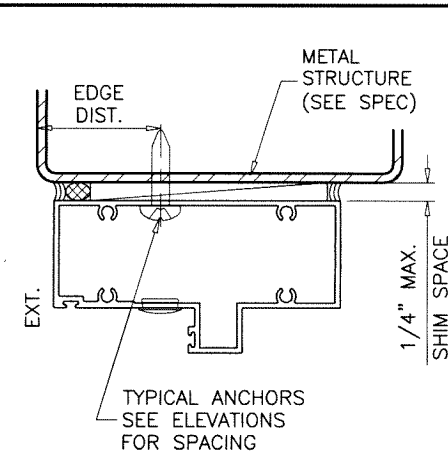
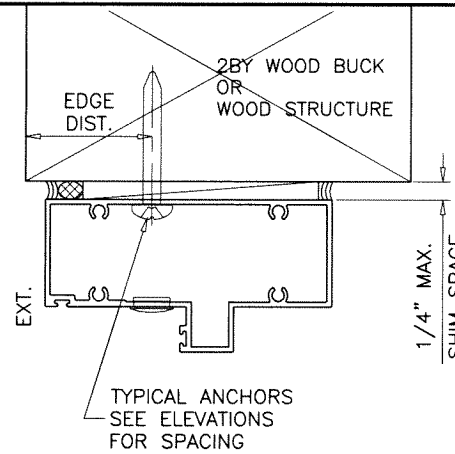
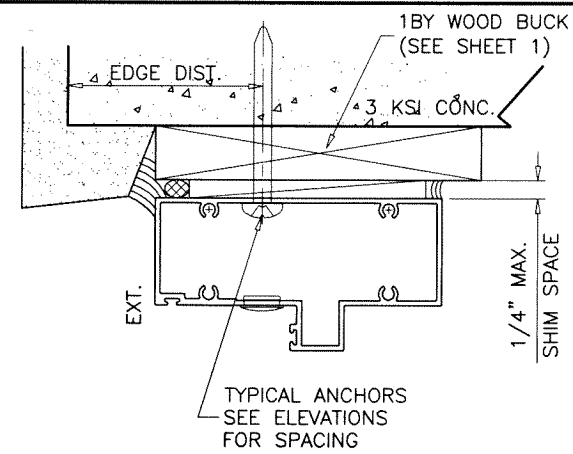
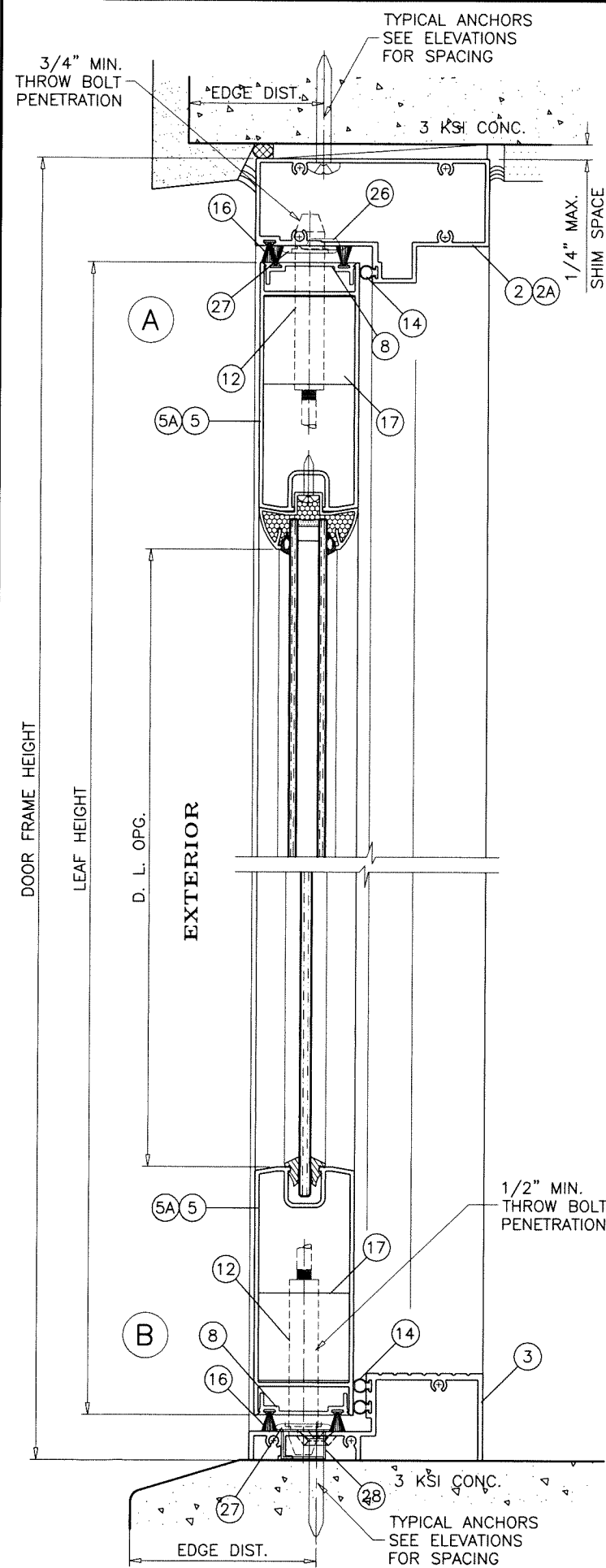
date: 08-28-15	scale: 3/8" = 1"
dr. by: TARIQ	chk. by:

drawing no.
W15-70
sheet 4 of 11

Sealed: 7/20/2023

FL #21855





WOOD BUCKS AND METAL STRUCTURE NOT BY 'ASSURA WDWS.' MUST SUSTAIN LOADS IMPOSED BY GLAZING SYSTEM AND TRANSFER THEM TO THE BUILDING STRUCTURE.

TYPICAL ANCHORS: SEE ELEV. FOR SPACING

1/4" DIA. ULTRACON+ BY 'DEWALT' (Fu=164 KSI, Fy=148 KSI)

INTO 2BY WOOD BUCKS OR WOOD STRUCTURES
1-1/2" MIN. PENETRATION INTO WOOD (HEAD/JAMBS)

THRU 1BY BUCKS INTO CONC. OR BLOCKS
1-1/4" MIN. EMBED INTO CONCRETE (HEAD)
1-1/4" MIN. EMBED INTO CONC. OR BLOCKS (JAMBS)

DIRECTLY INTO CONC. OR BLOCKS
1-1/4" MIN. EMBED INTO CONCRETE (HEAD)
1-3/4" MIN. EMBED INTO CONCRETE (SILL)
1-1/4" MIN. EMBED INTO CONC. OR BLOCKS (JAMBS)

#14 SMS OR SELF DRILLING SCREWS (GRADE 2 CRS)

INTO F.B.C. APPROVED MULLIONS
OR
INTO METAL STRUCTURES (HEAD/JAMBS)
(3) THREADS MIN. TO EXTEND BEYOND METAL THICKNESS
ALUMINUM: 1/8" THK. MIN. (6063-T5 MIN.)
STEEL: 1/8" THK. MIN. (Fy = 36 KSI MIN.)
(STEEL IN CONTACT WITH ALUMINUM TO BE PLATED OR PAINTED)

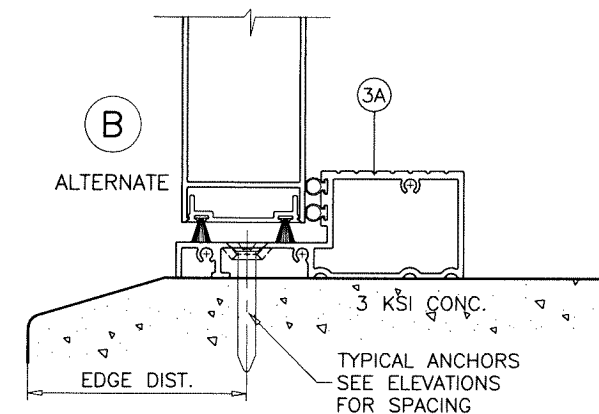
TYPICAL EDGE DISTANCE

INTO CONCRETE AND BLOCKS = 2-1/2" MIN.
INTO WOOD STRUCTURE = 1" MIN.
INTO METAL STRUCTURE = 3/4" MIN.

WOOD AT HEAD OR JAMBS SG = 0.55 MIN.
CONCRETE AT HEAD, SILL OR JAMBS f'c = 3000 PSI MIN.
C-90 HOLLOW/FILLED BLOCK AT JAMBS f'm = 2000 PSI MIN.

SEALANTS:

FRAME AND LEAF CORNERS, INSTALLATION SCREWS AT SILL AND ALL METAL PARTS CONNECTIONS SEALED WITH CLEAR COLORED SILICONE.



DOOR DETAILS

Sealed: 7/20/2023

FL #21855



AL-FAROOQ CORPORATION
ENGINEERS & PRODUCT DEVELOPMENT
9360 SUNSET DRIVE, SUITE 220
MIAMI, FLORIDA 33173
TEL. (305) 264-8100 FAX. (305) 262-6978
C.A.N. 3538

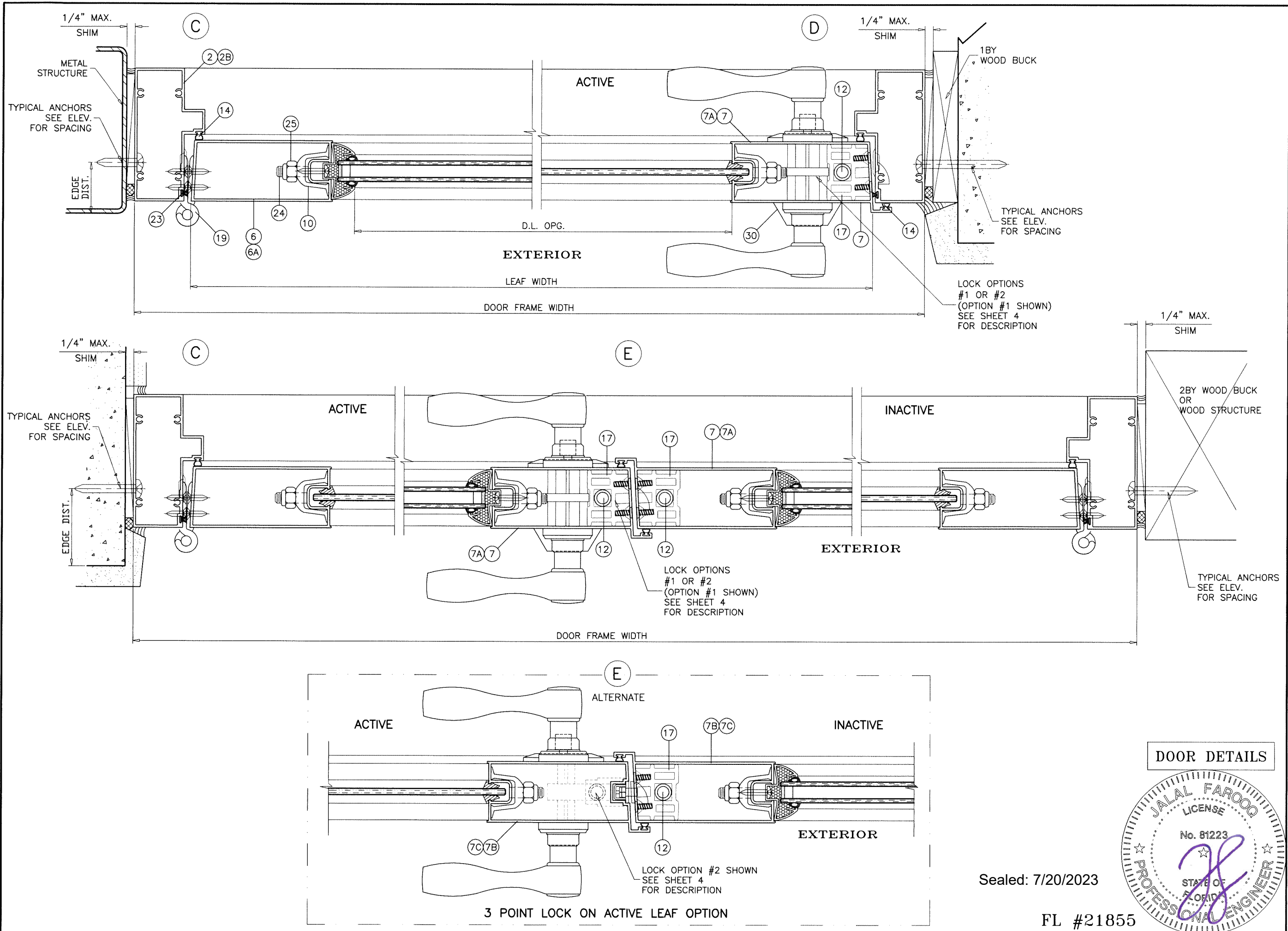
SERIES 600 ALUM FRENCH DOOR W/ SIDELITES (N.I.)
Assura Windows & Doors, LLC.
1543 N. Powerline Road
Pompano Beach, FL. 33069
Tel. (954) 781-4430 www.assurawindows.com

no	date	by	description

date: 08-28-15
scale: 3/8" = 1"
dr. by: TARIQ
chk. by:

drawing no.
W15-70
sheet 5 of 11

COMP-ANL\W15-70AWP



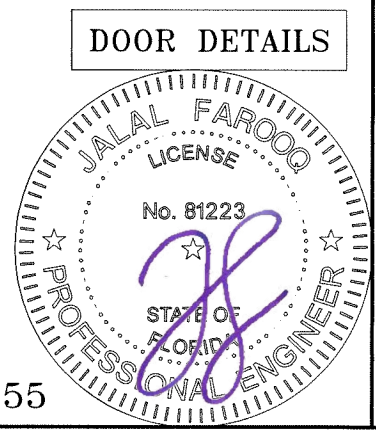
a f c
AL-FAROOQ CORPORATION
 ENGINEERS & PRODUCT DEVELOPMENT
 9360 SUNSET DRIVE, SUITE 220
 MIAMI, FLORIDA 33173 (C.A.N. 3538)
 TEL. (305) 264-8100 FAX. (305) 262-6978
 COMP-ANL \ W15-70AWP

SERIES 600 ALUM FRENCH DOOR W/ SIDELITES (N.I.)
Assura Windows & Doors, LLC.
 1543 N. Powerline Road
 Pompano Beach, FL. 33069
 Tel. (954) 781-4430 www.assurawindows.com

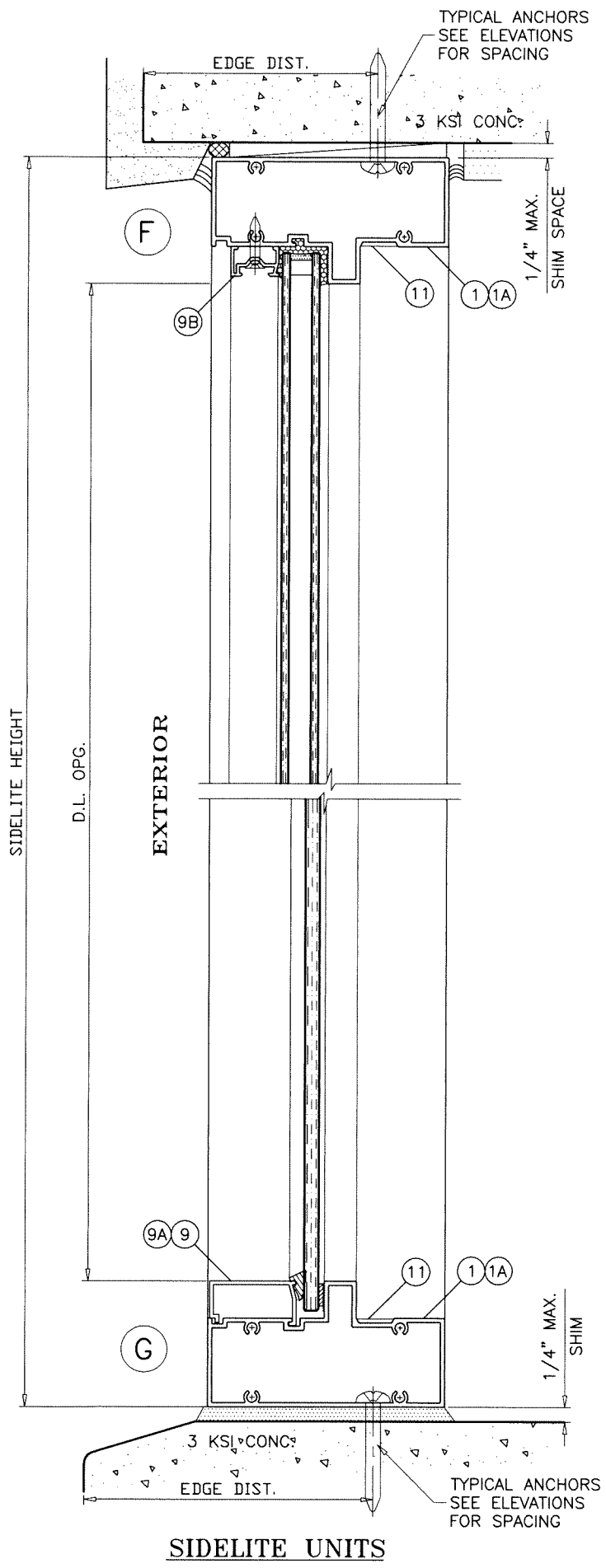
revisions:	no	date	by	description

date: 08-28-15
 scale: 3/8" = 1"
 dr. by: TARIQ
 chk. by:

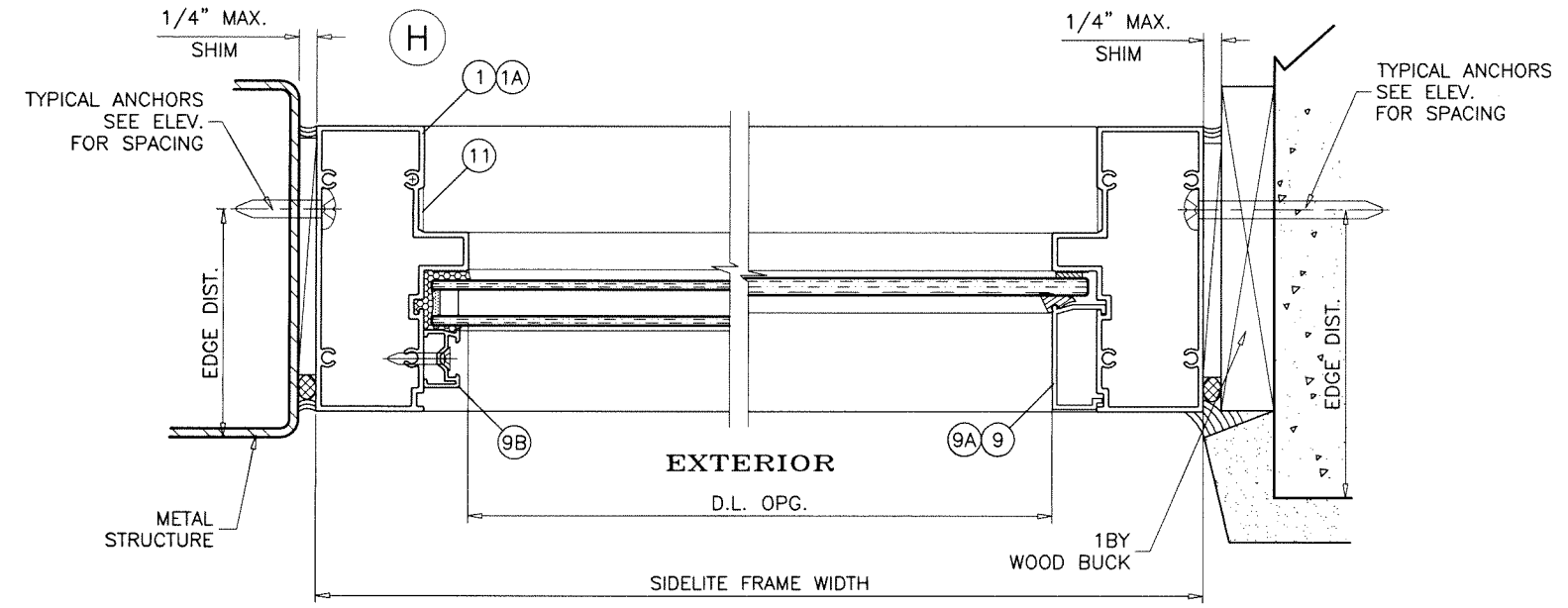
drawing no.
W15-70
 sheet 6 of 11



Sealed: 7/20/2023
 FL #21855

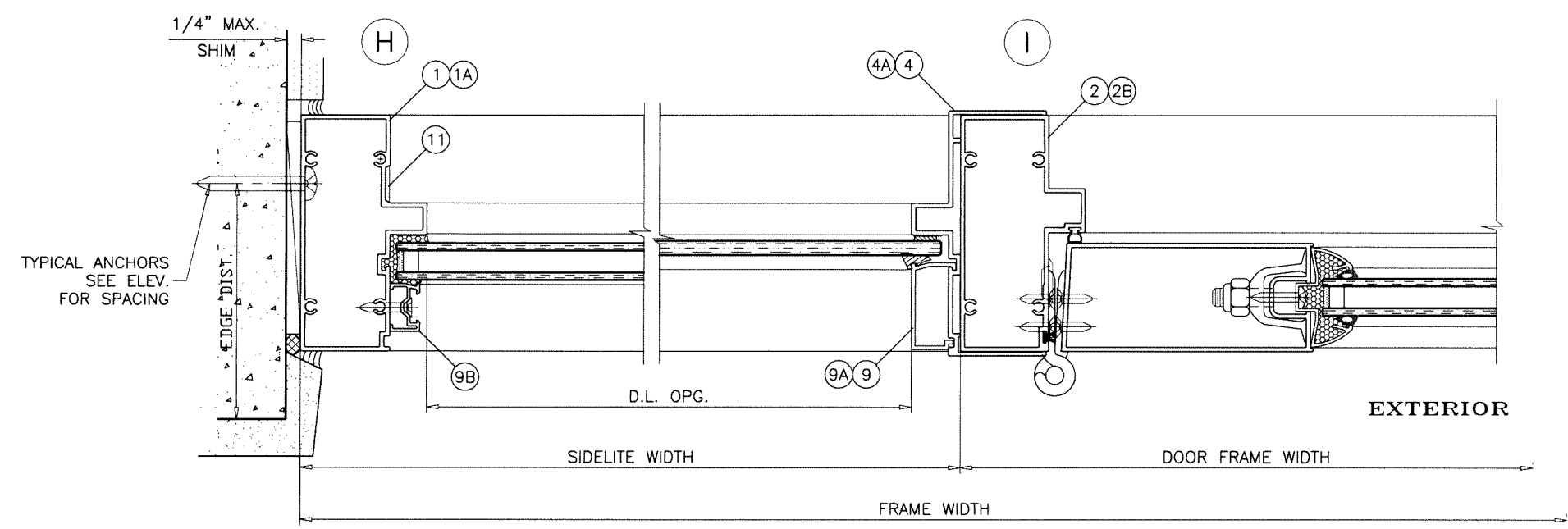


SIDELITE UNITS



EXTERIOR

SIDELITE FRAME WIDTH



SIDELITE WIDTH

DOOR FRAME WIDTH

FRAME WIDTH

EXTERIOR

SIDELITE DETAILS

SIDELITE WITH DOOR DETAILS

Sealed: 7/20/2023

FL #21855



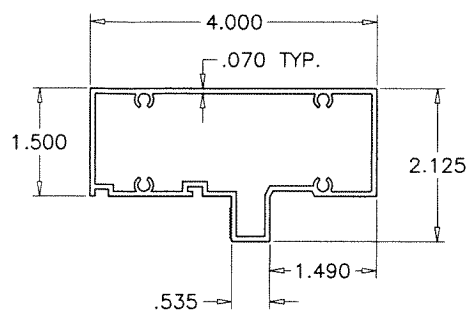
af c
AL-FAROOQ CORPORATION
 ENGINEERS & PRODUCT DEVELOPMENT
 9360 SUNSET DRIVE, SUITE 220
 MIAMI, FLORIDA 33173 (C.A.N. 3538)
 TEL. (305) 264-8100 FAX. (305) 262-6978
 COMP-ANL \ W15-70AWP

SERIES 600 ALUM FRENCH DOOR W/ SIDELITES (N.I.)
Assura Windows & Doors, LLC.
 1543 N. Powerline Road
 Pompano Beach, FL. 33069
 Tel. (954) 781-4430 www.assurawindows.com

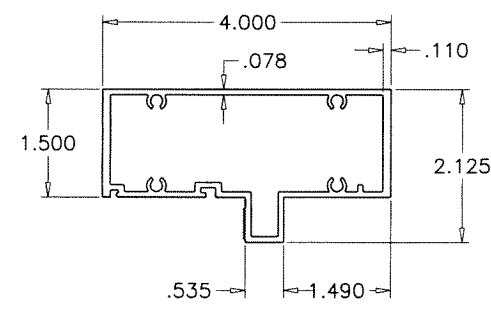
revisions:	no	date	by	description

date: 08-28-15	scale: 3/8" = 1"
dr. by: TARIO	chk. by:

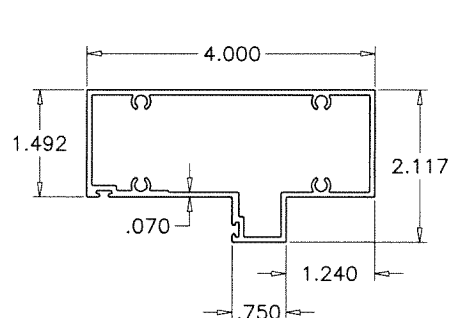
drawing no.	W15-70
sheet	7 of 11



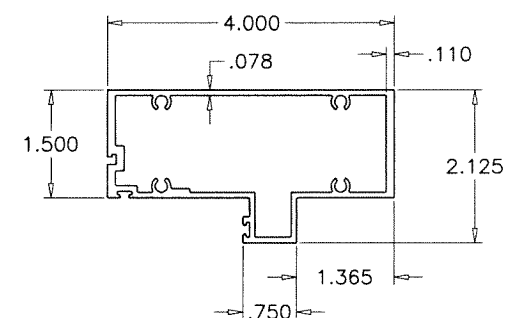
① SIDELITE HEAD/SILL/JAMB



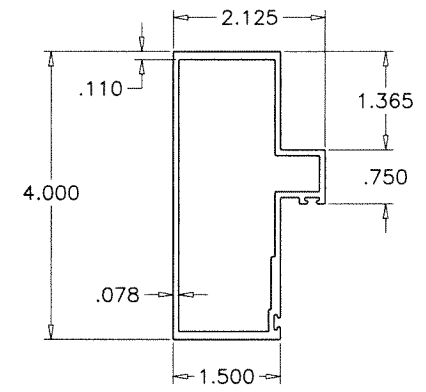
①A ALT. SIDELITE HEAD/SILL/JAMB



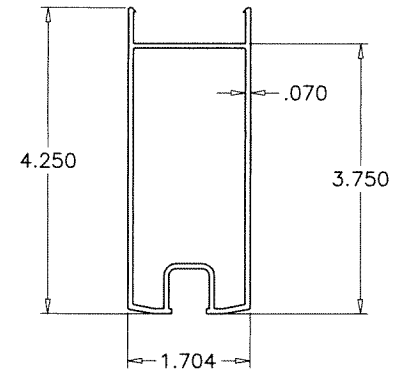
② DOOR HEAD/JAMB



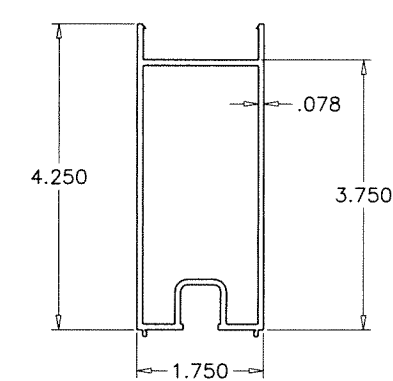
②A ALT. DOOR HEAD



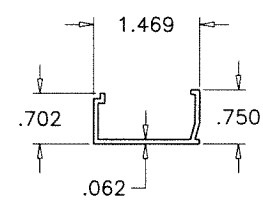
②B ALT. DOOR JAMB



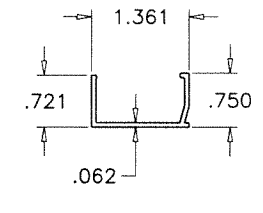
⑤ TOP/BOTTOM RAIL



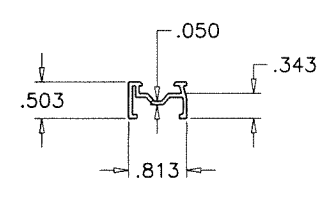
⑤A ALT. TOP/BOTTOM RAIL



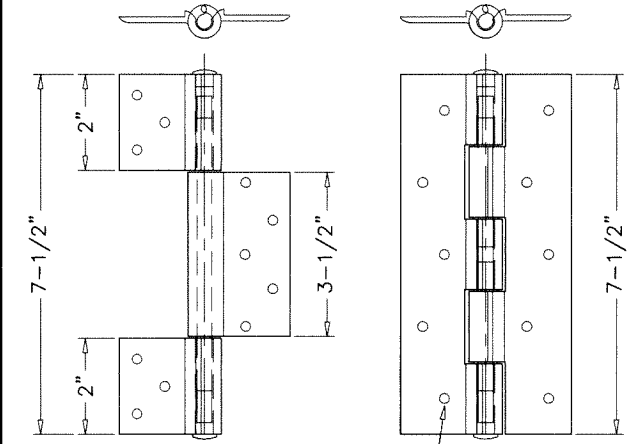
⑨ GLAZING STOP



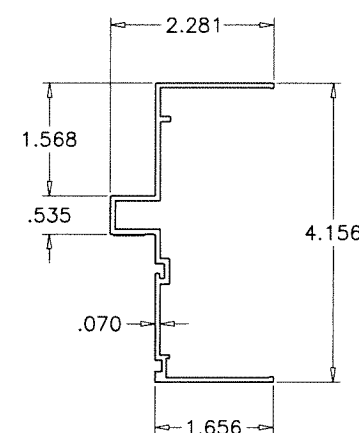
⑨A ALT. GLAZING STOP



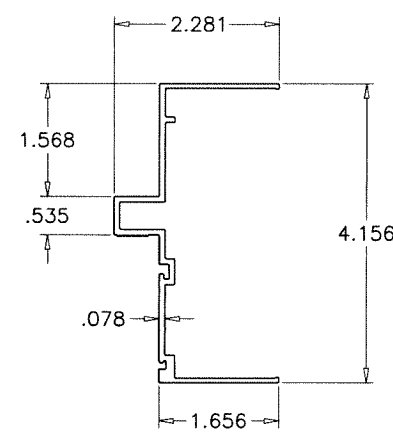
⑨B GLAZING STOP (INSUL. GLASS)



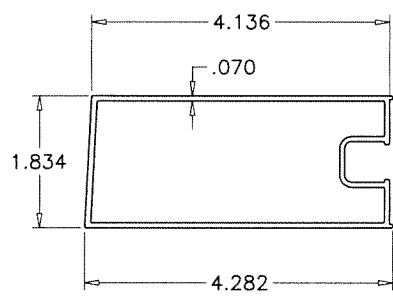
⑱ HINGES



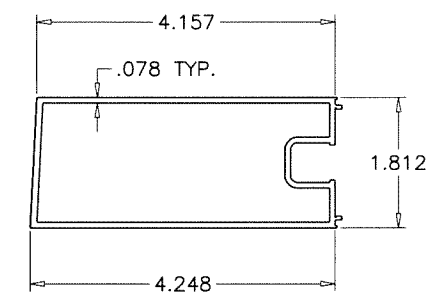
④ SIDELITE JAMB



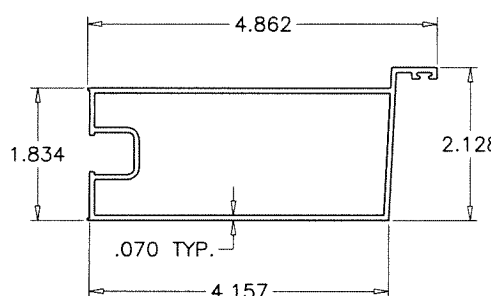
④A ALT. SIDELITE JAMB



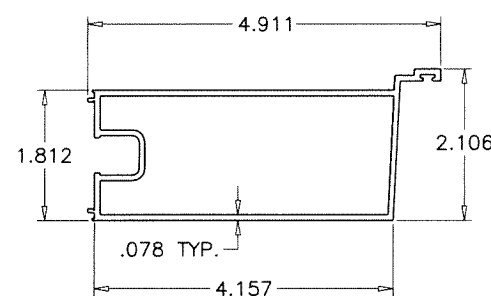
⑥ HINGE STILE



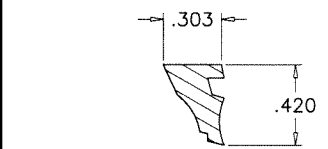
⑥A ALT. HINGE STILE



⑦ LOCK STILE/KEEPER STILE

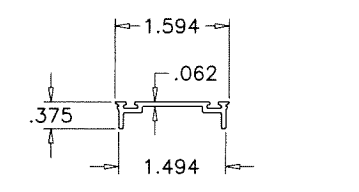


⑦A ALT. LOCK STILE/KEEPER STILE

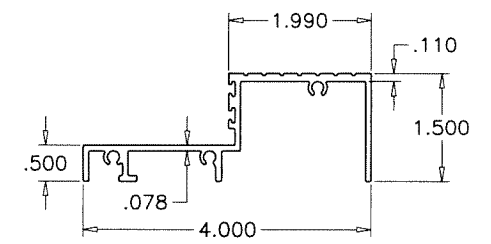


HARDNESS = 75±5 SHORE A
TENSILE STRENGTH (BREAK) = 1900 PSI
ELONGATION AT BREAK = 380%
SPECIFIC GRAVITY = 1.39

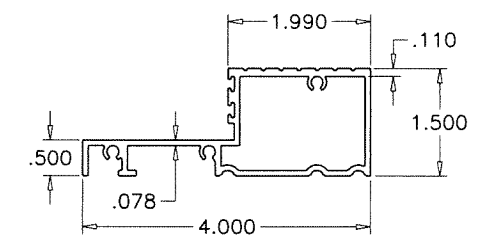
⑬ WEDGE GASKET
SCALE 1:1



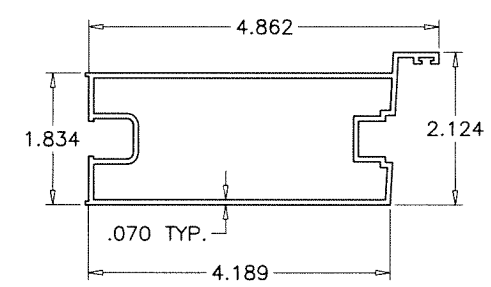
⑧ WEATHERSTRIP ADAPTER



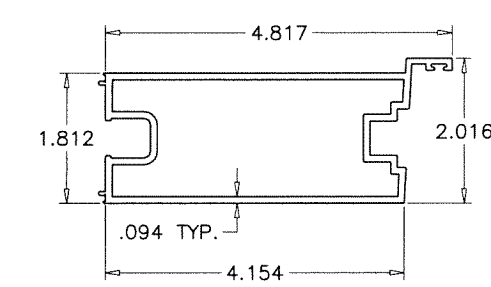
③ FRAME SILL



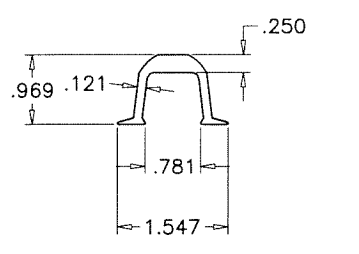
③A ALT. FRAME SILL



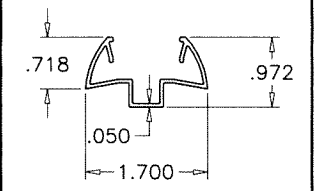
⑦B 3 POINT LOCK STILE



⑦C ALT. 3 POINT LOCK STILE



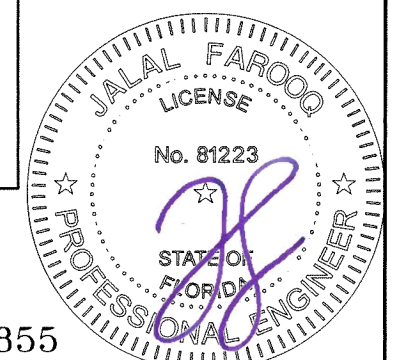
⑩ PRESSURE PLATE



⑳ GLAZING CHANNEL

Sealed: 7/20/2023

FL #21855



AL-FAROOQ CORPORATION
ENGINEERS & PRODUCT DEVELOPMENT
9360 SUNSET DRIVE, SUITE 220
MIAMI, FLORIDA 33173
TEL. (305) 264-8100
FAX. (305) 262-6978
C.A.N. 3538

SERIES 600 ALUM FRENCH DOOR W/ SIDELITES (N.I.)
Assura Windows & Doors, LLC.
1543 N. Powerline Road
Pompano Beach, FL 33069
Tel. (954) 781-4430
www.assurawindows.com

revisions:	no	date	by	description

date: 08-28-15
scale: 3/8" = 1"
dr. by: TARIQ
chk. by:

drawing no.
W15-70
sheet 8 of 11

ITEM #	PART #	QUANTITY	DESCRIPTION	MATERIAL	MANF./SUPPLIER/REMARKS
1	YE-809B	1	SIDELITE FRAME HEAD/SILL/JAMB	6063-T6	-
1A	YE-809	1	ALT. SIDELITE FRAME HEAD/SILL/JAMB	6063-T6	-
2	YE-832	1	DOOR FRAME HEAD/JAMB	6063-T6	-
2A	YE-804	1	ALT. DOOR FRAME HEAD	6063-T6	-
2B	YE-811	1	ALT. DOOR FRAME JAMB	6063-T6	-
3	YE-810	1	DOOR FRAME SILL	6063-T6	-
3A	YE-840	1	ALT. DOOR FRAME SILL	6063-T6	-
4	YE-808B	AS REQD.	SIDELITE JAMB	6063-T6	-
4A	YE-808	AS REQD.	ALT. SIDELITE JAMB	6063-T6	-
5	YE-801	2/ LEAF	TOP AND BOTTOM RAIL	6063-T6	-
5A	YE-801B	2/ LEAF	ALT. TOP AND BOTTOM RAIL	6063-T5	-
6	YE-803	1/ LEAF	HINGE STILE	6063-T6	-
6A	YE-803B	1/ LEAF	ALT. HINGE STILE	6063-T5	-
7	YE-802	1/ LEAF	LOCK STILE	6063-T6	-
7A	YE-802B	1/ LEAF	ALT. LOCK STILE	6063-T5	-
7B	YE-837	1/ ACTIVE LEAF	3 POINT LOCK STILE	6063-T6	-
7C	YE-815	1/ ACTIVE LEAF	ALT. 3 POINT LOCK STILE	6063-T6	-
8	YE-806	2/ LEAF	WEATHERSTRIP ADAPTER	6063-T6	-
9	YE-807	AS REQD.	GLAZING STOP	6063-T6	-
9A	YE-807B	AS REQD.	ALT. GLAZING STOP	6063-T6	-
9B	YH-844R	AS REQD.	GLAZING STOP (INSUL. GLASS)	6063-T6	-
10	YE-805	4/ LEAF	PRESSURE PLATE-TIE ROD	6063-T5	2-1/2" LONG
11	YE-816	AS REQD.	COVER PLATE	6063-T6	-
12	YH-610	AS REQD.	FLUSH BOLT ASSY. SERIES 1202	ZINC/STEEL	DIECAST
13	YH-621	AS REQD.	WEDGE GASKET	PVC	MELTPOINT PLASTICS INC. (TEKNOR APEX)
14	YH-622	AS REQD.	BULB WEATHERSTRIPPING (.198 X .260)	VINYL	TEAM PLASTIC, DUROMETER 75±5 SHORE A
15	YH-625	AS REQD.	GLAZING TAPE (3/8" X 1/8")	-	VG100 BY VENTURE TAPE
16	YE-602	AS REQD.	FIN SEAL W'STRIPPING (.187 X .260)	-	ULTRAFAB
17	YE-842	2/ LEAF	FLUSH BOLT GUIDE, 1-1/2" LONG	6063-T6	-
18	#10 x 1"	AS REQD.	FRAME ASSY. SCREWS	-	PAN HEAD SMS
19	YH-650/658	3/ LEAF	HINGE ASSEMBLY	ALUMINUM	S.S. PIN / PLASTIC BUSHINGS
20	YH-617	1/ ACTIVE LEAF	LOCK SET/DEAD BOLT ASSEMBLIES (STD.)	STEEL	-
21	GU	1/ ACTIVE LEAF	3 POINT LOCK MECHANISM (OPTIONAL)	-	STD. LEVER OR KNOB TYPES
22	YE-824	4/ LEAF	GLAZING CHANNEL	6063-T6	-
23	YH-4004	AS REQD.	WOOL FIN WEATHERSTRIPPING (.187 X .260)	-	ULTRAFAB
24	YH-630	2/ LEAF	3/8" DIA. THREADED ROD	STEEL	-
25	YH-618	2/ LEAF	3/8"-16 HEX FLANGE NUT	STEEL	-
26	YH-641	AS REQD.	INSTALLATION SCREW HOLE CAP	PLASTIC	-
27	YH-656	2/ LEAF	FLUSH BOLT ADJUSTMENT PLATE	S. STEEL	-
28	YH-681	1	PROTECTIVE BOX	NYLON	-
29	YH-616	1	LOCK SET ASSEMBLY	-	LEVER OR KNOB TYPES
30		AS REQD.	SETTING BLOCKS	EPDM	DUROMETER 80±5 SHORE A

a f c

AL-FAROOQ CORPORATION
 ENGINEERS & PRODUCT DEVELOPMENT
 9360 SUNSET DRIVE, SUITE 220
 MIAMI, FLORIDA 33173 (C.A.N. 3538)
 TEL. (305) 262-6978 FAX. (305) 264-8100

COMP-ANL\W15-70AWP

SERIES 600 ALUM FRENCH DOOR W/ SIDELITES (N.I.)

Assura Windows & Doors, LLC.

1543 N. Powerline Road
 Pompano Beach, FL 33069
 Tel. (954) 781-4430 www.assurawindows.com

no	date	by	description

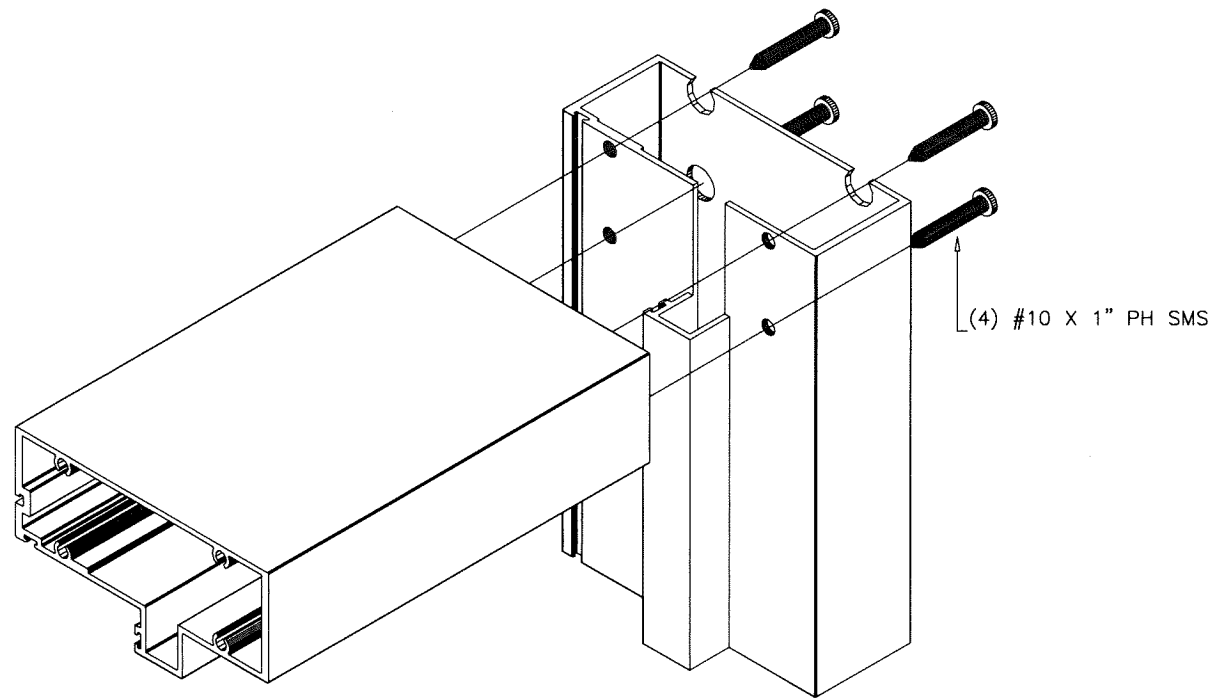
date: 08-28-15
 scale: 3/8" = 1"
 dr. by: TARIQ
 chk. by:

drawing no.
W15-70
 sheet 9 of 11

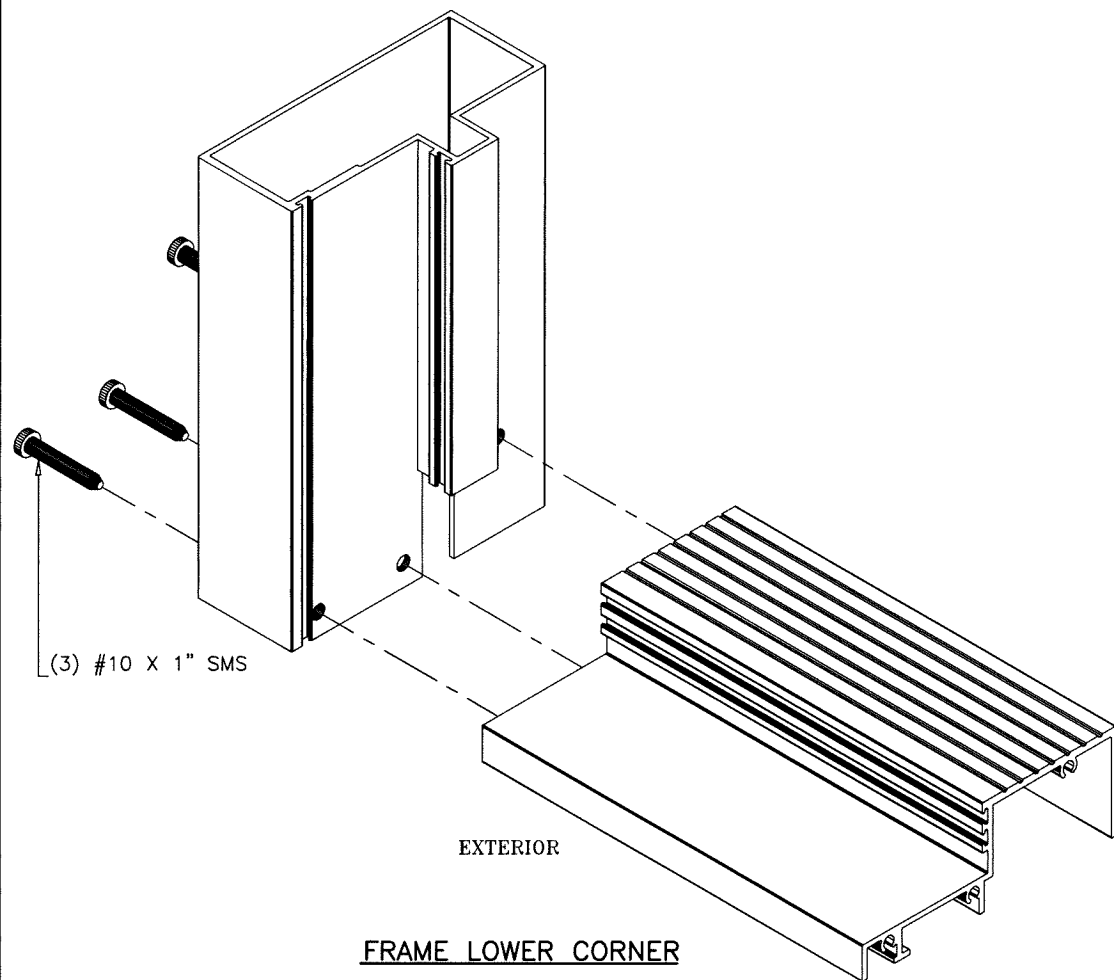
Sealed: 7/20/2023

FL #21855



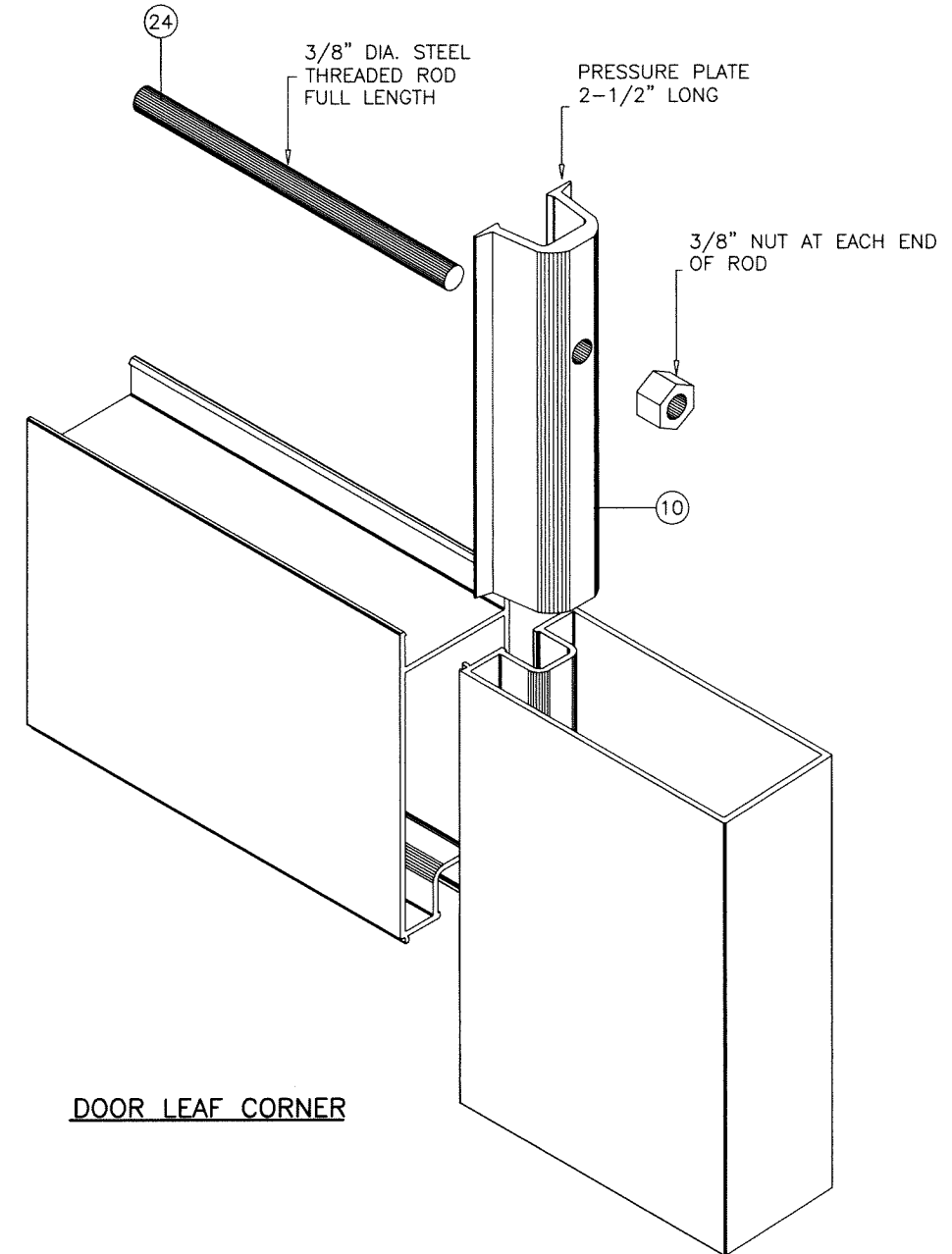


FRAME UPPER CORNER



FRAME LOWER CORNER

EXTERIOR



DOOR LEAF CORNER

Sealed: 7/20/2023

FL #21855



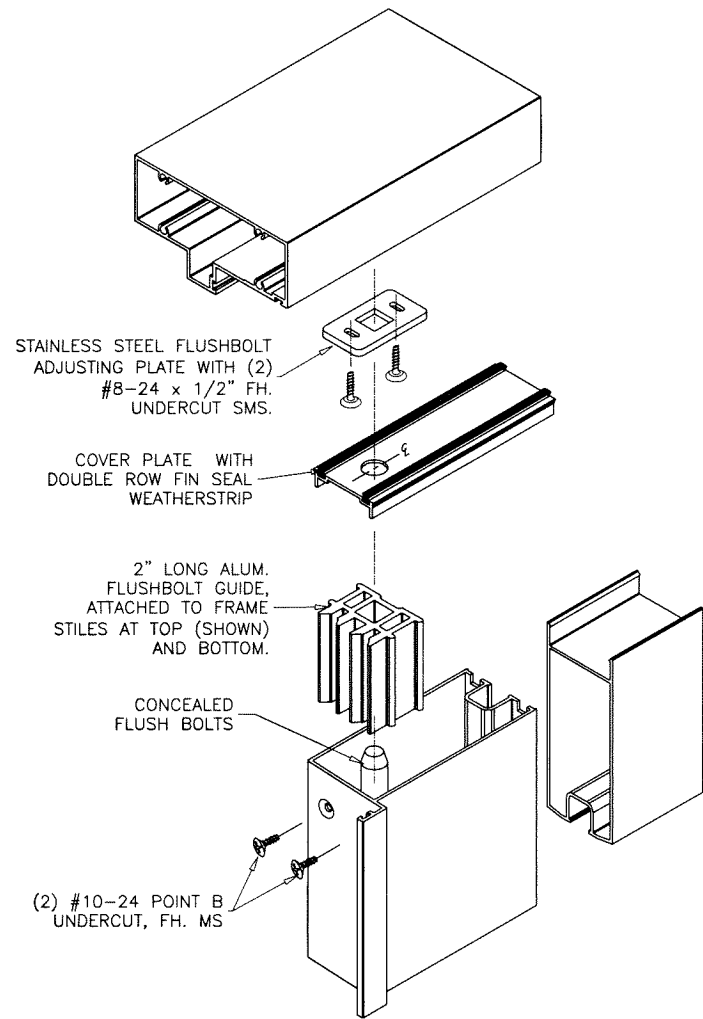
a f c
AL-FAROOQ CORPORATION
 ENGINEERS & PRODUCT DEVELOPMENT
 9360 SUNSET DRIVE, SUITE 220 (C.A.N. 3538)
 MIAMI, FLORIDA 33173 TEL. (305) 262-6978
 FAX. (305) 264-8100
 COMP-ANL W15-70AWP

SERIES 600 ALUM FRENCH DOOR W/ SIDELITES (N.I.)
Assura Windows & Doors, LLC.
 1543 N. Powerline Road
 Pompano Beach, FL 33069
 Tel. (954) 781-4430 www.assurawindows.com

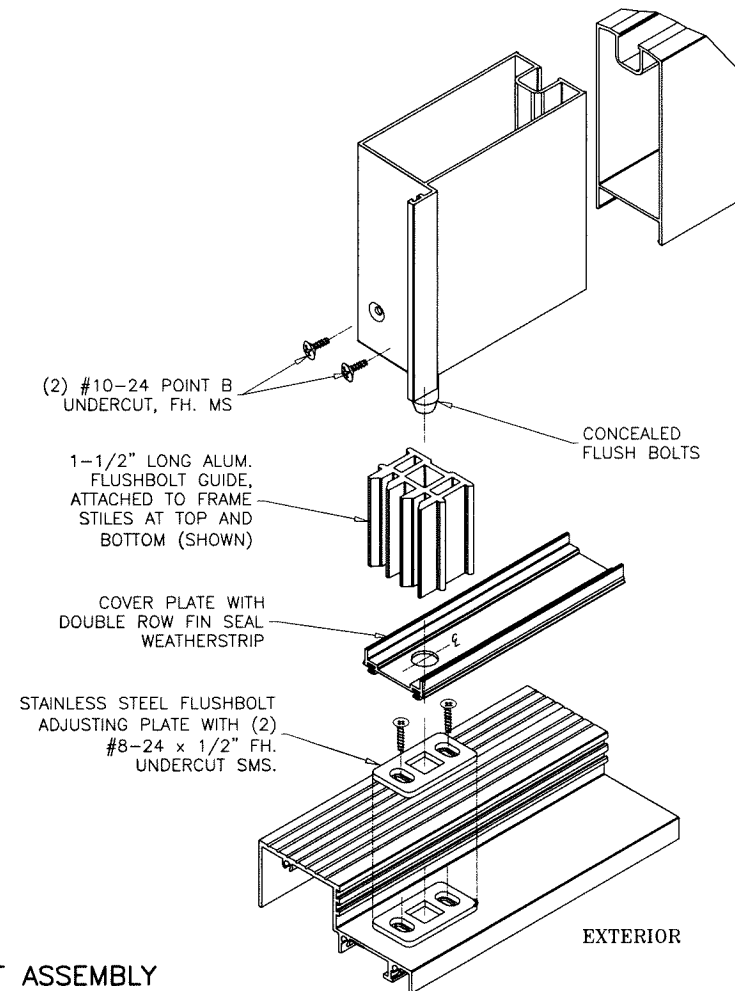
revisions:	
no	date by description

date: 08-28-15
 scale: 3/8" = 1"
 dr. by: TARIQ
 chk. by:

drawing no.
W15-70
 sheet 10 of 11



TOP FLUSHBOLT ASSEMBLY



BOTTOM FLUSHBOLT ASSEMBLY

FLUSH BOLT GUIDE
AND ADJUSTMENT PLATE ASSEMBLY

Sealed: 7/20/2023

FL #21855



af c
AL-FAROOQ CORPORATION
ENGINEERS & PRODUCT DEVELOPMENT
9360 SUNSET DRIVE, SUITE 220 (C.A.N. 3538)
MIAMI, FLORIDA 33173
TEL. (305) 264-8100 FAX. (305) 262-6978
COMP-ANL\W15-70AWP

SERIES 600 ALUM FRENCH DOOR W/ SIDELITES (N.I.)
Assura Windows & Doors, LLC.
1543 N. Powerline Road
Pompano Beach, FL 33069
Tel. (954) 781-4430 www.assurawindows.com

no	date	by	description

date: 08-28-15
scale: 3/8" = 1"
dr. by: TARIQ
chk. by:

drawing no.
W15-70
sheet 11 of 11